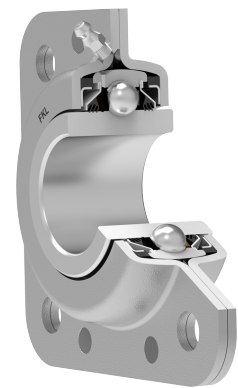
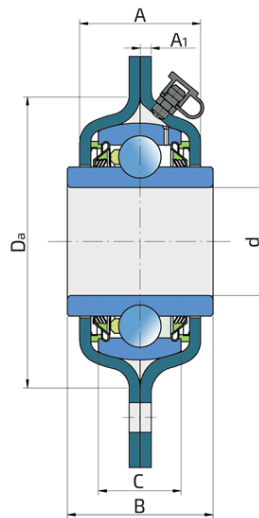
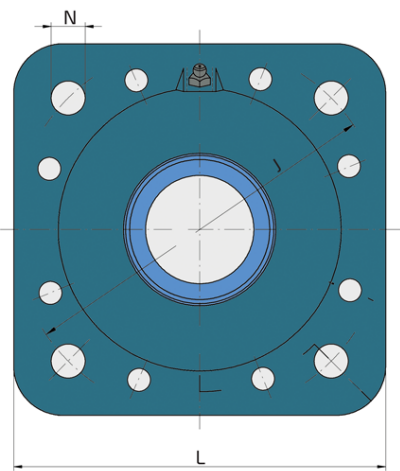


Square Series

GWST 211PPB15

Square Series
Disc Harrow



Technical Specification

d	Bore diameter	55.58 mm
B	Width inner ring	55.55 mm
C	Width outer ring	25 mm
Da	Centering diameter	113 mm
L	Overall length	140 mm
A	Distance from the housing flange to the front of the inner ring of the bearing	44.7 mm
A1	Width of the top of the housing	4 mm
J	Pitch circle diameter	140 mm
N	Diameter of attachment slot	13.5 mm
Fr	Radial load	9.8 kN
Fa	Axial load	5.1 kN
kg	Mass	2.05 kg
Cdyn	Dynamic load rating	43.5 kN
Co	Static load rating	29 kN
Pu	Fatigue load limit	1.218 kN

Sealing

RUBBER PLUG + T SEAL / T SEAL + RUBBER PLUG

3-lip seal seal on both sides provide long lasting protection of the bearing against the penetration of contaminants. Rubber plugs are protecting the area between the bearing and sheet metal housing.

