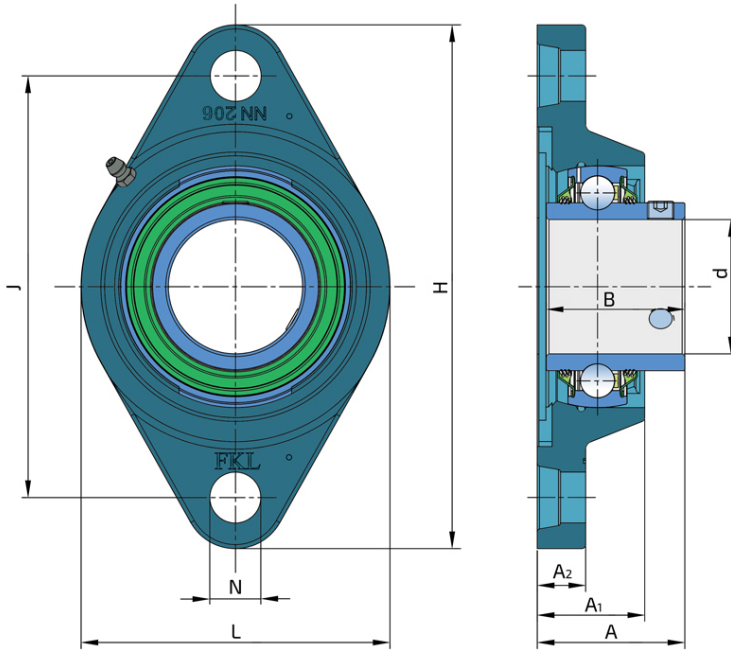
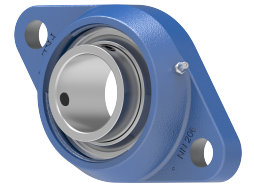


# Bearing Unit

## LENN 206 2T

Bearing Unit  
Universal Solution



### Technical Specification

d	Bore diameter	30 mm
H	Housing height	148 mm
L	Total length	80 mm
J	Distance between the holes	117 mm
N	Hole diameter	16 mm
A	Overall width	40.2 mm
A1	Total housing width	30.5 mm
A2	Housing flange thickness	13.5 mm
B	Width inner ring	38 mm
kg	Mass	0.85 kg
Cdyn	Dynamic load rating	19.5 kN
Co	Static load rating	11.3 kN
Pu	Fatigue load limit	0.475 kN

## Sealing

---

### T SEAL / T SEAL (2T)

3-lip seal on the both side of the bearing, provides equal protection against contamination. Recommended for application where the possibility of contamination is the same on the both side.

