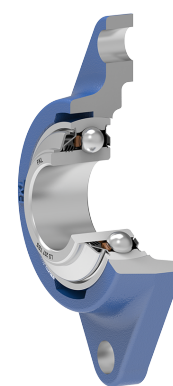
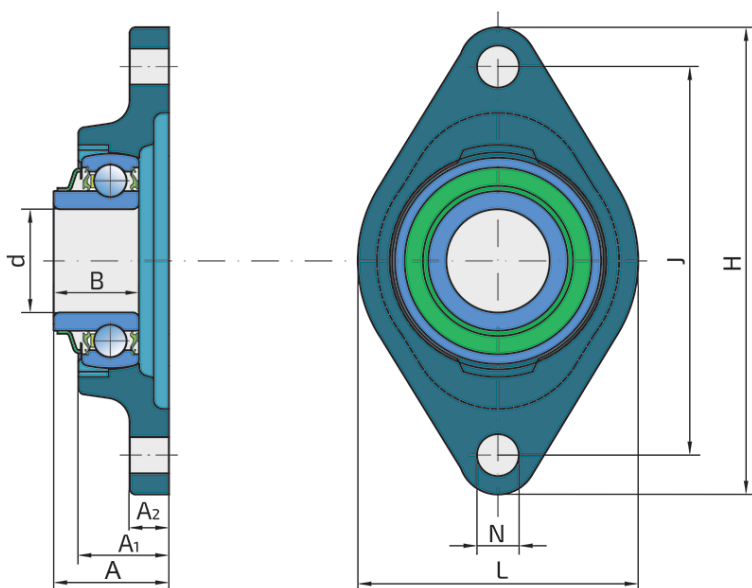
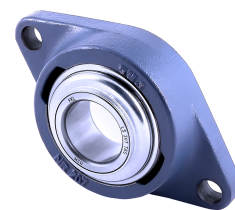


Bearing Unit

LSNR 207 TBS

Bearing Unit
Packer Roller



Technical Specification

d	Bore diameter	35 mm
H	Housing height	155 mm
L	Total length	93 mm
J	Pitch circle diameter	130 mm
A	Overall width	40 mm
A1	Total housing width	31 mm
A2	Housing flange thickness	13 mm
B	Width inner ring	28.3 mm
N	Hole diameter	14 mm
kg	Mass	1.05 kg
Co	Static load rating	15.3 kN
Cdyn	Dynamic load rating	25.5 kN
Pu	Fatigue load limit	1.071 kN

Sealing

S SEAL / T SEAL+METAL FLINGER RING

S seal on the base side and 3-lip seal with Metal flinger ring on the front side which is exposed to contaminants.

The 3-lip seal on the front side protects the bearing from contaminant penetration.

The metal flinger ring protects the seal from mechanical damage.

