

ENC

linear guides



guides and blocks
for the best technology



SERIES HSH
non flanged blocks

HIWIN
compatible

enclinearguides.com



demand traceability
of your guides

ENC

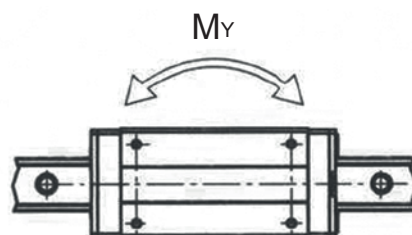
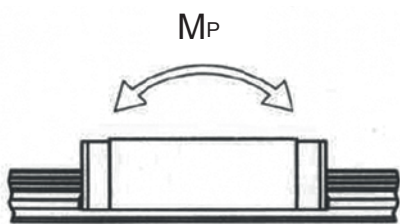
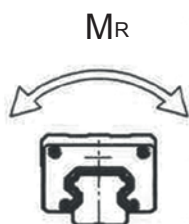
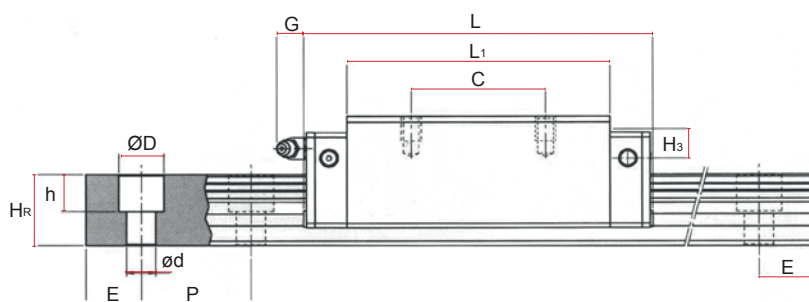
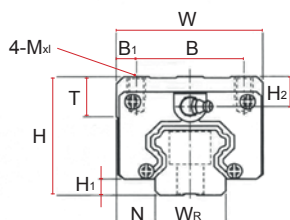
linear guides



HSH

SERIES

NON FLAGED BLOCKS



Guide

Code	Screw assembly (mm)	Din Load	Stat. Load	Máx. static momentum (kN-m)			Weight (Kg/m)	Assembly dimensions (mm)			Guide dimensions (mm)						
				MR	MP	MT		Guide	H	H1	N	WR	HR	D	h	d	P
HS R 15 R 4000 C	M4x16	11.38	25.31	0.17	0.15	0.15	1.45	28	4.3	9.5	15	15	7.5	5.3	4.5	60	20
HS R 20 R 4000 C	M5x16	17.75	37.84	0.38	0.27	0.27	2.21	30	4.6	12	20	17.5	9.5	8.5	6	60	20
HS R 25 R 4000 C	M6x20	26.48	56.19	0.64	0.51	0.51	3.21	40	5.5	12.5	23	22	11	9	7	60	20
HS R 35 R 4000 C	M8x25	49.52	102.87	1.73	1.20	1.20	6.30	55	7.5	18	34	29	14	12	9	80	20
HS R 45 R 4000 C	M12x35	77.57	155.93	3.01	2.35	2.35	10.41	70	9.5	20.5	45	38	20	17	14	105	22.5

Block

Code	Screw assembly (mm)	Din Load	Stat. Load	Máx. static momentum (kN-m)			Weight (Kg)	Assembly dimensions (mm)			Block dimensions (mm)											
				MR	MP	MT		Block	H	H1	N	W	B	B1	C	L1	L	K1	G	Mxl	T	H2
HS H 15 CA Z0 C	M4x16	11.38	25.31	0.17	0.15	0.15	0.18	28	4.3	9.5	34	26	4	26	39.4	61.4	10	5.3	M4x5	6	7.95	7.7
HS H 20 CA Z0 C	M5x16	17.75	37.84	0.38	0.27	0.27	0.30	30	4.6	12	44	32	4	36	50.5	77.5	12.25	12	M5x6	8	6	7
HS H 25 CA Z0 C	M6x20	26.48	56.19	0.64	0.51	0.51	0.51	40	5.5	12.5	48	35	6.5	35	58	84	16.8	12	M6x8	8	10	13
HS H 35 CA Z0 C	M8x25	49.52	102.87	1.73	1.20	1.20	1.45	55	7.5	18	70	50	10	50	80	112.4	20.6	12	M8x12	10.2	16	19.6
HS H 45 CA Z0 C	M12x35	77.57	155.93	3.01	2.35	2.35	2.73	70	9.5	20.5	86	60	13	60	97	139.4	23	12.9	M10x17	16	18.5	30.5



BRL Bearings, S.L.

Plaça Can Pau Ferrer 8 Bloc D Baixos
08349 Cabrera de Mar
BARCELONA - SPAIN

(+34) 937 54 16 74
(+34) 937 54 16 75
www.brllbearings.com
brl@brllbearings.com

Distributor:

