

# ENC

linear guides



guides and blocks  
for the best technology



 **HSW**  
SERIES  
flanged blocks  
**HIWIN**  
compatible

[enlinearguides.com](http://enlinearguides.com)



demand traceability  
of your guides

# ENC

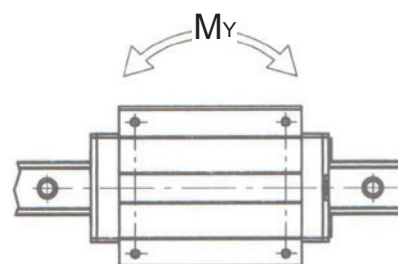
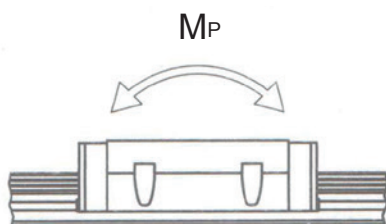
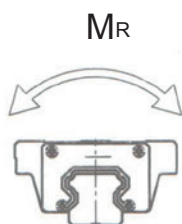
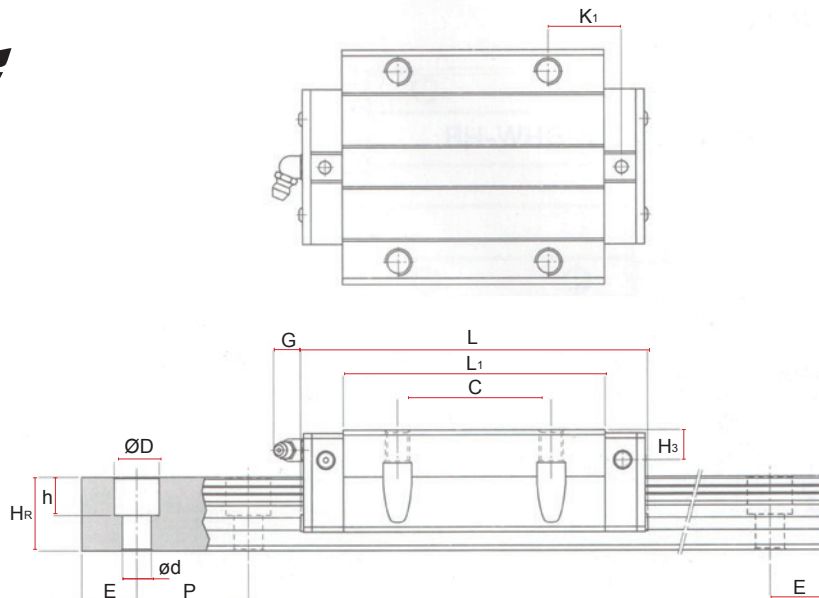
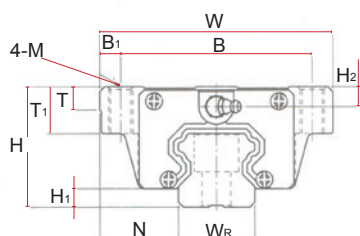
## linear guides



# HSW

## SERIES

flanged blocks



### Guide

Code	Screw assembly (mm)	Din Load	Stat. Load	Máx. static momentum (kN-m)			Weight (Kg/m)	Assembly dimensions (mm)			Guide dimensions (mm)							
				MR	MP	MT		Guide	H	H1	N	WR	HR	D	h	d	P	E
HS R 15 R 4000 C	M4x16	11.38	25.31	0.17	0.15	0.15	1.45	28	4.3	9.5	15	15	7.5	5.3	4.5	60	20	
HS R 20 R 4000 C	M5x16	17.75	37.84	0.38	0.27	0.27	2.21	30	4.6	12	20	17.5	9.5	8.5	6	60	20	
HS R 25 R 4000 C	M6x20	26.48	56.19	0.64	0.51	0.51	3.21	40	5.5	12.5	23	22	11	9	7	60	20	
HS R 35 R 4000 C	M8x25	49.52	102.87	1.73	1.20	1.20	6.30	55	7.5	18	34	29	14	12	9	80	20	
HS R 45 R 4000 C	M12x35	77.57	155.93	3.01	2.35	2.35	10.41	70	9.5	20.5	45	38	20	17	14	105	22.5	

### Block

Code	Screw assembly (mm)	Din Load	Stat. Load	Máx. static momentum (kN-m)			Weight (Kg)	Assembly dimensions (mm)			Block dimensions (mm)											
				MR	MP	MT		Block	H	H1	N	W	B	B1	C	L1	L	K1	G	Mxl	T	H2
HS W 15 CC Z0 C	M4x16	11.38	25.31	0.17	0.15	0.15	0.17	24	4.3	16	47	38	4.5	30	39.4	61.4	8	5.3	M5	6	3.95	3.7
HS W 20 CC Z0 C	M5x16	17.75	37.84	0.38	0.27	0.27	0.40	30	4.6	21.5	63	53	5	40	50.5	77.5	10.25	12	M6	8	6	7
HS W 25 CC Z0 C	M6x20	26.48	56.19	0.64	0.51	0.51	0.59	36	5.5	23.5	70	57	6.5	45	58	84	11.8	12	M6	8	6	9
HS W 35 CC Z0 C	M8x25	49.52	102.87	1.73	1.20	1.20	1.56	48	7.5	33	100	82	9	62	80	112.4	14.6	12	M10	10.1	9	12.6
HS W 45 CC Z0 C	M12x35	77.57	155.93	3.01	2.35	2.35	2.79	60	9.5	37.5	120	100	10	80	97	139.4	13	12.9	M12	15.1	8.5	20.5



BRL Bearings, S.L.

Plaça Can Pau Ferrer 8 Bloc D Baixos  
08349 Cabrera de Mar  
BARCELONA - SPAIN

(+34) 937 54 16 74  
(+34) 937 54 16 75  
www.brllbearings.com  
brl@brllbearings.com

Distributor:

