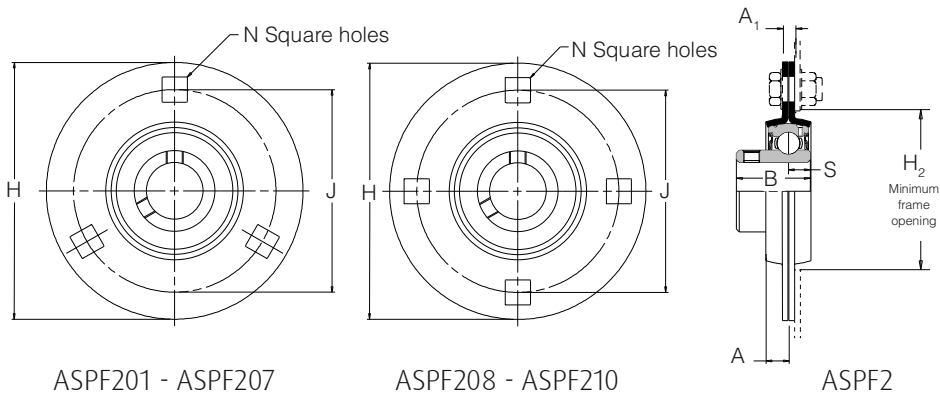


Pressed steel flange bearing units (zinc plated housings)

ASPF2

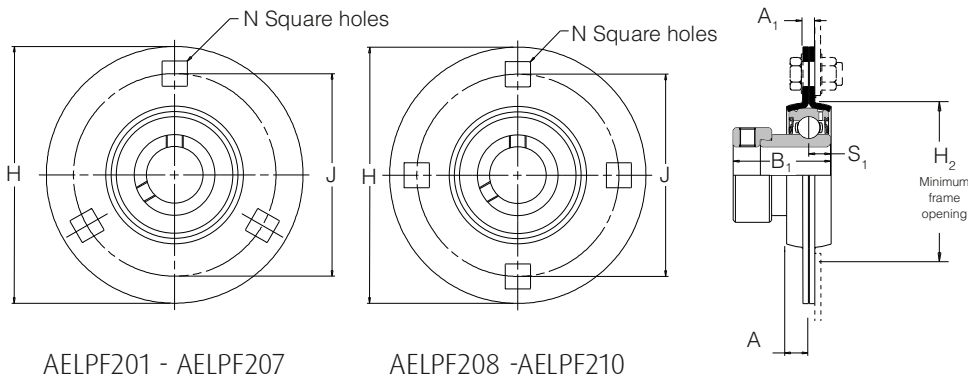


Unit number	Dimensions (mm)								
	Shaft diameter	H	H ₂	J	N	A	A ₁	B	S
ASPF201	12	81.0	49.0	63.5	7.1	6.7	4.0	22	6.0
ASPF202	15	81.0	49.0	63.5	7.1	6.7	4.0	22	6.0
ASPF203	17	81.0	49.0	63.5	7.1	6.7	4.0	22	6.0
ASPF204	20	90.5	55.0	71.5	8.7	7.7	4.0	25	7.0
ASPF205	25	95.2	60.0	76.0	8.7	8.7	4.0	27	7.5
ASPF206	30	112.7	71.0	90.5	10.5	9.0	5.0	30	8.0
ASPF207	35	122.2	81.0	100.0	10.5	10.0	5.0	32	8.5
ASPF208	40	147.8	91.0	119.0	13.5	10.0	7.0	34	9.0
ASPF209	45	149.2	97.0	120.5	13.5	10.0	7.0	41.2	10.2
ASPF210	50	155.6	102.0	127.0	13.5	10.5	8.0	43.5	10.9

Bearing number	Housing number	Max. radial housing load N	Rec. max. speed min ⁻¹	Mass (approx.) kg
AS201	PF203	2670	3000	0.2
AS202	PF203	2670	3000	0.2
AS203	PF203	2670	3000	0.2
AS204	PF204	3110	3000	0.3
AS205	PF205	3560	2500	0.4
AS206	PF206	4890	2500	0.7
AS207	PF207	6250	2000	0.9
AS208	PF208	7550	2000	1.5
AS209	PF209	7550	2000	1.6
AS210	PF210	8450	1500	1.8

Pressed steel flange bearing units (zinc plated housings)

AELPF2



Unit number	Dimensions (mm)								
	Shaft diameter	H	H2	J	N	A	A1	B1	S
AELPF201	12	81.0	49.0	63.5	7.1	6.7	4.0	28.6	6.5
AELPF202	15	81.0	49.0	63.5	7.1	6.7	4.0	28.6	6.5
AELPF203	17	81.0	49.0	63.5	7.1	6.7	4.0	28.6	6.5
AELPF204	20	90.5	55.0	71.5	8.7	7.7	4.0	31.0	7.5
AELPF205	25	95.2	60.0	76.0	8.7	8.7	4.0	31.0	7.5
AELPF206	30	112.7	71.0	90.5	10.5	9.0	5.0	35.7	9.0
AELPF207	35	122.2	81.0	100.0	10.5	10.0	5.0	38.9	9.5
AELPF208	40	147.8	91.0	119.0	13.5	10.0	7.0	43.7	11.0
AELPF209	45	149.2	97.0	120.5	13.5	10.0	7.0	43.7	11.0
AELPF210	50	155.6	102.0	127.0	13.5	10.5	8.0	43.7	11.0

Bearing number	Housing number	Max. radial housing load N	Rec. max. speed min ⁻¹	Mass (approx.) kg
AEL201	PF203	2670	3000	0.2
AEL202	PF203	2670	3000	0.2
AEL203	PF203	2670	3000	0.2
AEL204	PF204	3110	3000	0.3
AEL205	PF205	3560	2500	0.4
AEL206	PF206	4890	2500	0.7
AEL207	PF207	6250	2000	0.9
AEL208	PF208	7550	2000	1.5
AEL209	PF209	7550	2000	1.6
AEL210	PF210	8450	1500	1.8