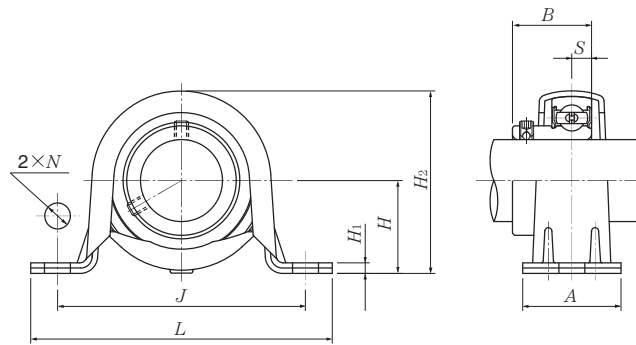


**Pillow blocks pressed steel housing**  
**Set screw type**

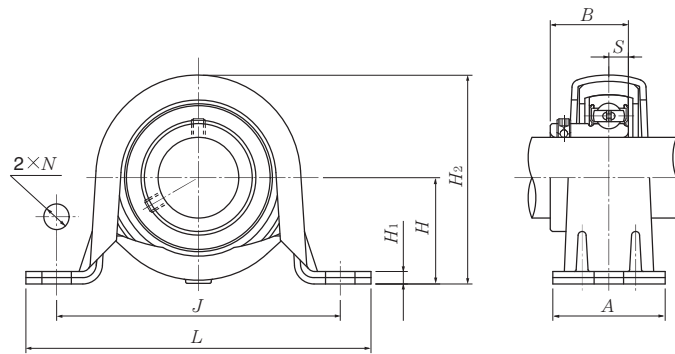


Shaft dia.	Unit number	Nominal dimensions										Bolt size	Bearing number	Housing number	Mass (approx.)
		mm					inch								
		H	L	J	A	N	H <sub>1</sub>	H <sub>2</sub>	B	S	mm inch				
<b>12</b> 1/2	<b>ASPP201</b> <b>ASPP201-008</b>	22.2 7/8	86 3 3/8	68 2 11/16	25 3 1/32	9.5 3/8	3.2 0.126	43.8 1 23/32	22 0.8661	6 0.236	M 8 5/16	AS201 AS201-008	PP203 PP203	0.2 0.4	
<b>15</b> 9/16 5/8	<b>ASPP202</b> <b>ASPP202-009</b> <b>ASPP202-010</b>	22.2 7/8	86 3 3/8	68 2 11/16	25 3 1/32	9.5 3/8	3.2 0.126	43.8 1 23/32	22 0.8661	6 0.236	M 8 5/16	AS202 AS202-009 AS202-010	PP203 PP203 PP203	0.2 0.4	
<b>17</b> 1 1/16	<b>ASPP203</b> <b>ASPP203-011</b>	22.2 7/8	86 3 3/8	68 2 11/16	25 3 1/32	9.5 3/8	3.2 0.126	43.8 1 23/32	22 0.8661	6 0.236	M 8 5/16	AS203 AS203-011	PP203 PP203	0.1 0.2	
<b>20</b> 3/4	<b>ASPP204</b> <b>ASPP204-012</b>	25.4 1	98 3 27/32	76 3	32 1 1/4	9.5 3/8	3.2 0.126	50.5 2	25 0.9843	7 0.276	M 8 5/16	AS204 AS204-012	PP204 PP204	0.2 0.4	
<b>25</b> 13/16 7/8 15/16 1	<b>ASPP205</b> <b>ASPP205-013</b> <b>ASPP205-014</b> <b>ASPP205-015</b> <b>ASPP205-100</b>	28.6	108	86	32	11.5	4	56.6	27	7.5	M10	AS205 AS205-013 AS205-014 AS205-015 AS205-100	PP205 PP205 PP205 PP205 PP205	0.3 0.7	
<b>30</b> 1 1/16 1 1/8 1 3/16 1 1/4	<b>ASPP206</b> <b>ASPP206-101</b> <b>ASPP206-102</b> <b>ASPP206-103</b> <b>ASPP206-104</b>	33.3	117	95	38	11.5	4	66.3	29	8	M10	AS206 AS206-101 AS206-102 AS206-103 AS206-104	PP206 PP206 PP206 PP206 PP206	0.4 0.9	
<b>35</b> 1 1/4 1 5/16 1 3/8 1 7/16	<b>ASPP207</b> <b>ASPP207-104</b> <b>ASPP207-105</b> <b>ASPP207-106</b> <b>ASPP207-107</b>	39.7	129	106	42	11.5	4.6	78	34	8.5	M10	AS207 AS207-104 AS207-105 AS207-106 AS207-107	PP207 PP207 PP207 PP207 PP207	0.6 1.3	

Remarks: 1) The permissible load only applies in applications where the load is stable and the speed is 2400 min<sup>-1</sup> or less.  
 The mounting surface should be flat.

<b>Max. load <sup>1)</sup> recommended</b>	
<b>N</b>	<b>lbf</b>
radial	axial
2 000	800
440	160
2 000	800
440	160
2 000	800
440	160
2 500	1 000
550	200
3 500	1 400
770	280
4 000	1 600
880	320
4 500	1 800
990	360

**Pillow blocks pressed steel housing with rubber ring**  
**Set screw type**



Shaft dia.	Unit number	Nominal dimensions									Bolt size	Bearing number
		mm		inch		mm		inch				
mm inch		H	L	J	A	N	H <sub>1</sub>	H <sub>2</sub>	B	S	mm inch	
<b>12</b> 1/2	<b>ASRPP201</b> <b>ASRPP201-008</b>	25.4 1	98 3 27/32	76 3	32 1 1/4	9.5 3/8	3.2 0.126	50.5 2	22 0.8661	6 0.236	M 8 5/16	AS201 AS201-008
<b>15</b> 9/16 5/8	<b>ASRPP202</b> <b>ASRPP202-009</b> <b>ASRPP202-010</b>	25.4 1	98 3 27/32	76 3	32 1 1/4	9.5 3/8	3.2 0.126	50.5 2	22 0.8661	6 0.236	M 8 5/16	AS202 AS202-009 AS202-010
<b>17</b> 1 1/16	<b>ASRPP203</b> <b>ASRPP203-011</b>	25.4 1	98 3 27/32	76 3	32 1 1/4	9.5 3/8	3.2 0.126	50.5 2	22 0.8661	6 0.236	M 8 5/16	AS203 AS203-011
<b>20</b> 3/4	<b>ASRPP204</b> <b>ASRPP204-012</b>	28.6 1 1/8	108 4 1/4	86 3 3/8	32 1 1/4	11.5 29/64	4 0.157	56.6 2 2/32	25 0.9843	7 0.276	M10 3/8	AS204 AS204-012
<b>25</b> 13/16 7/8 15/16 1	<b>ASRPP205</b> <b>ASRPP205-013</b> <b>ASRPP205-014</b> <b>ASRPP205-015</b> <b>ASRPP205-100</b>	33.3 1 5/16	117 4 19/32	95 3 3/4	38 1 1/2	11.5 29/64	4 0.157	66.3 2 5/8	27 1.0630	7.5 0.295	M10 3/8	AS205 AS205-013 AS205-014 AS205-015 AS205-100
<b>30</b> 1 1/16 1 1/8 1 3/16 1 1/4	<b>ASRPP206</b> <b>ASRPP206-101</b> <b>ASRPP206-102</b> <b>ASRPP206-103</b> <b>ASRPP206-104</b>	39.7 1 9/16	129 5 3/32	106 4 3/16	42 1 21/32	11.5 29/64	4.6 0.181	78 3 1/16	29 1.1417	8 0.315	M10 3/8	AS206 AS206-101 AS206-102 AS206-103 AS206-104

Remarks: 1) The permissible load only applies in applications where the load is stable and the speed is 2400 min<sup>-1</sup> or less. The mounting surface should be flat.  
 2) When an anti-vibration rubber ring is used, the self alignment capability will be reduce.

Housing number		Mass (approx.) kg lb	Max. load <sup>1)</sup> recommended	
rubber ring	steel		N	lbf
			radial	axial
R201	PP204	0.2	1 000	200
R201	PP204	0.4	220	40
R201	PP204	0.2	1 000	200
R201	PP204	0.4	220	40
R201	PP204	0.4	220	40
R201	PP204	0.2	1 000	200
R201	PP204	0.4	220	40
R204	PP205	0.3	1 150	200
R204	PP205	0.7	250	40
R205	PP206	0.4	1 300	200
R205	PP206			
R205	PP206	0.9	280	40
R205	PP206			
R205	PP206			
R206	PP207	0.5	1 500	200
R206	PP207			
R206	PP207	1.1	330	40
R206	PP207			
R206	PP207			