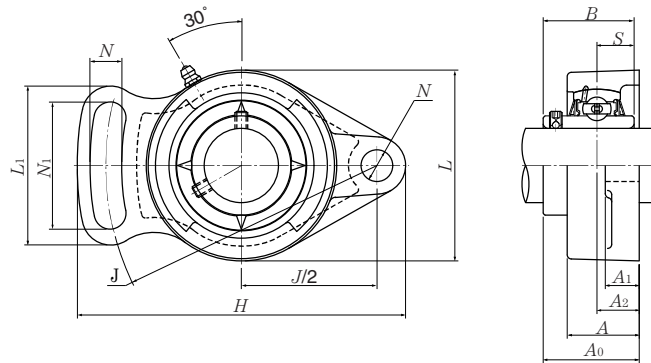


**Modified rhombus flanged units cast housing**  
**Set screw type**



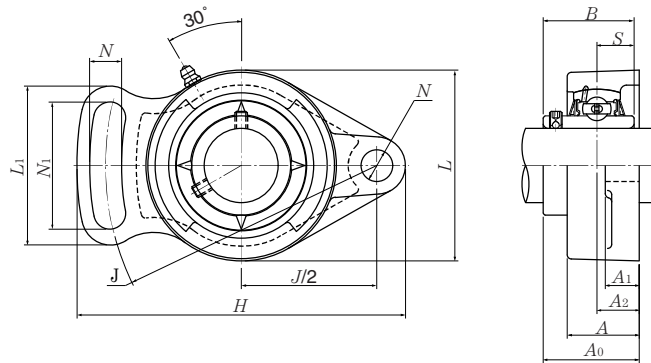
Shaft dia.	Unit number <sup>1)</sup>	Nominal dimensions													Bolt size
		mm						inch							
mm inch		H	J	A <sub>2</sub>	A <sub>1</sub>	A	N	N <sub>1</sub>	L	L <sub>1</sub>	A <sub>0</sub>	B	S	mm inch	
<b>12</b>	<b>UCFA201D1</b>	98	78	15	12	25.5	10	40	60	50	33.3	31	12.7	M 8	
$\frac{1}{2}$	<b>UCFA201-008D1</b>	$3\frac{27}{32}$	$3\frac{1}{16}$	$\frac{19}{32}$	$\frac{15}{32}$	1	$\frac{25}{64}$	$1\frac{9}{16}$	$2\frac{3}{8}$	$1\frac{31}{32}$	$1\frac{5}{16}$	1.2205	0.500	$\frac{5}{16}$	
<b>15</b>	<b>UCFA202D1</b>	98	78	15	12	25.5	10	40	60	50	33.3	31	12.7	M 8	
$\frac{9}{16}$ $\frac{5}{8}$	<b>UCFA202-009D1</b> <b>UCFA202-010D1</b>	$3\frac{27}{32}$	$3\frac{1}{16}$	$\frac{19}{32}$	$\frac{15}{32}$	1	$\frac{25}{64}$	$1\frac{9}{16}$	$2\frac{3}{8}$	$1\frac{31}{32}$	$1\frac{5}{16}$	1.2205	0.500	$\frac{5}{16}$	
<b>17</b>	<b>UCFA203D1</b>	98	78	15	12	25.5	10	40	60	50	33.3	31	12.7	M 8	
$\frac{11}{16}$	<b>UCFA203-011D1</b>	$3\frac{27}{32}$	$3\frac{1}{16}$	$\frac{19}{32}$	$\frac{15}{32}$	1	$\frac{25}{64}$	$1\frac{9}{16}$	$2\frac{3}{8}$	$1\frac{31}{32}$	$1\frac{5}{16}$	1.2205	0.500	$\frac{5}{16}$	
<b>20</b>	<b>UCFA204D1</b>	98	78	15	12	25.5	10	40	60	50	33.3	31	12.7	M 8	
$\frac{3}{4}$	<b>UCFA204-012D1</b>	$3\frac{27}{32}$	$3\frac{1}{16}$	$\frac{19}{32}$	$\frac{15}{32}$	1	$\frac{25}{64}$	$1\frac{9}{16}$	$2\frac{3}{8}$	$1\frac{31}{32}$	$1\frac{5}{16}$	1.2205	0.500	$\frac{5}{16}$	
<b>25</b>	<b>UCFA205D1</b>	124	96	15	14	26.5	13	49	70	64	34.8	34.1	14.3	M10	
$\frac{13}{16}$ $\frac{7}{8}$ $\frac{15}{16}$ <b>1</b>	<b>UCFA205-013D1</b> <b>UCFA205-014D1</b> <b>UCFA205-015D1</b> <b>UCFA205-100D1</b>	$4\frac{7}{8}$	$3\frac{25}{32}$	$\frac{19}{32}$	$\frac{9}{16}$	$1\frac{1}{32}$	$\frac{33}{64}$	$1\frac{15}{16}$	$2\frac{3}{4}$	$2\frac{17}{32}$	$1\frac{3}{8}$	1.3425	0.563	$\frac{3}{8}$	
<b>30</b>	<b>UCFA206D1</b>	141	115	18	14	31	13	53	80	68	40.2	38.1	15.9	M10	
$\frac{11}{16}$ $\frac{11}{8}$ $\frac{13}{16}$ $\frac{11}{4}$	<b>UCFA206-101D1</b> <b>UCFA206-102D1</b> <b>UCFA206-103D1</b> <b>UCFA206-104D1</b>	$5\frac{9}{16}$	$4\frac{17}{32}$	$\frac{45}{64}$	$\frac{9}{16}$	$1\frac{7}{32}$	$\frac{33}{64}$	$2\frac{3}{32}$	$3\frac{5}{32}$	$2\frac{11}{16}$	$1\frac{37}{64}$	1.5000	0.626	$\frac{3}{8}$	
<b>35</b>	<b>UCFA207D1</b>	155	128	20	16	34	15	60	90	75	45.4	42.9	17.5	M12	
$\frac{11}{4}$ $\frac{15}{16}$ $\frac{13}{8}$ $\frac{17}{16}$	<b>UCFA207-104D1</b> <b>UCFA207-105D1</b> <b>UCFA207-106D1</b> <b>UCFA207-107D1</b>	$6\frac{3}{32}$	$5\frac{1}{32}$	$\frac{25}{32}$	$\frac{5}{8}$	$1\frac{11}{32}$	$\frac{19}{32}$	$2\frac{3}{8}$	$3\frac{17}{32}$	$2\frac{15}{16}$	$1\frac{25}{32}$	1.6890	0.689	$\frac{7}{16}$	
<b>40</b>	<b>UCFA208D1</b>	171	142	22	16	36	15	69	100	84	52.2	49.2	19	M12	
$\frac{11}{2}$ $\frac{19}{16}$	<b>UCFA208-108D1</b> <b>UCFA208-109D1</b>	$6\frac{23}{32}$	$5\frac{19}{32}$	$\frac{55}{64}$	$\frac{5}{8}$	$1\frac{13}{32}$	$\frac{19}{32}$	$2\frac{23}{32}$	$3\frac{15}{16}$	$3\frac{5}{16}$	$2\frac{1}{16}$	1.9370	0.748	$\frac{7}{16}$	

Remarks: 1) These numbers indicate relubricatable type. If maintenance free type is needed, please order without suffix "D1".

Note: Please refer to page 36 for size of grease fitting.

Bearing number	Housing <sup>1)</sup> number	Mass (approx.)	
		kg	lb
UC201D1	FA204D1	0.5	
UC201-008D1	FA204D1	1.1	
UC202D1	FA204D1	0.5	
UC202-009D1	FA204D1	1.1	
UC202-010D1	FA204D1		
UC203D1	FA204D1	0.5	
UC203-011D1	FA204D1	1.1	
UC204D1	FA204D1	0.5	
UC204-012D1	FA204D1	1.1	
UC205D1	FA205D1	0.7	
UC205-013D1	FA205D1		
UC205-014D1	FA205D1	1.5	
UC205-015D1	FA205D1		
UC205-100D1	FA205D1		
UC206D1	FA206D1	0.9	
UC206-101D1	FA206D1		
UC206-102D1	FA206D1	2.0	
UC206-103D1	FA206D1		
UC206-104D1	FA206D1		
UC207D1	FA207D1	1.2	
UC207-104D1	FA207D1		
UC207-105D1	FA207D1	2.7	
UC207-106D1	FA207D1		
UC207-107D1	FA207D1		
UC208D1	FA208D1	1.5	
UC208-108D1	FA208D1	3.3	
UC208-109D1	FA208D1		

**Modified rhombus flanged units cast housing**  
**Set screw type**



Shaft dia.	Unit number <sup>1)</sup>	Nominal dimensions												Bolt size
		mm						inch						
mm inch		H	J	A <sub>2</sub>	A <sub>1</sub>	A	N	N <sub>1</sub>	L	L <sub>1</sub>	A <sub>0</sub>	B	S	mm inch
45	<b>UCFA209D1</b>	179	146	22	18	38	17	72	110	88	52.2	49.2	19	M14
1 <sup>5</sup> / <sub>8</sub>	<b>UCFA209-110D1</b>													
1 <sup>11</sup> / <sub>16</sub>	<b>UCFA209-111D1</b>	7 <sup>1</sup> / <sub>16</sub>	5 <sup>3</sup> / <sub>4</sub>	55 <sup>5</sup> / <sub>64</sub>	23 <sup>3</sup> / <sub>32</sub>	1 <sup>1</sup> / <sub>2</sub>	43 <sup>3</sup> / <sub>64</sub>	2 <sup>27</sup> / <sub>32</sub>	4 <sup>11</sup> / <sub>32</sub>	3 <sup>15</sup> / <sub>32</sub>	2 <sup>1</sup> / <sub>16</sub>	1.9370	0.748	1/2
1 <sup>3</sup> / <sub>4</sub>	<b>UCFA209-112D1</b>													
50	<b>UCFA210D1</b>	189	155	22	18	40	17	75	115	92	54.6	51.6	19	M14
1 <sup>13</sup> / <sub>16</sub>	<b>UCFA210-113D1</b>													
1 <sup>7</sup> / <sub>8</sub>	<b>UCFA210-114D1</b>	7 <sup>7</sup> / <sub>16</sub>	6 <sup>3</sup> / <sub>32</sub>	55 <sup>5</sup> / <sub>64</sub>	23 <sup>3</sup> / <sub>32</sub>	1 <sup>9</sup> / <sub>16</sub>	43 <sup>3</sup> / <sub>64</sub>	2 <sup>15</sup> / <sub>16</sub>	4 <sup>17</sup> / <sub>32</sub>	3 <sup>5</sup> / <sub>8</sub>	2 <sup>5</sup> / <sub>32</sub>	2.0315	0.748	1/2
1 <sup>15</sup> / <sub>16</sub>	<b>UCFA210-115D1</b>													
2	<b>UCFA210-200D1</b>													
55	<b>UCFA211D1</b>	216	182	26	20	43	17	85	130	102	59.4	55.6	22.2	M14
2	<b>UCFA211-200D1</b>													
2 <sup>1</sup> / <sub>16</sub>	<b>UCFA211-201D1</b>	8 <sup>1</sup> / <sub>8</sub>	7 <sup>5</sup> / <sub>32</sub>	1 <sup>1</sup> / <sub>32</sub>	2 <sup>5</sup> / <sub>32</sub>	1 <sup>11</sup> / <sub>16</sub>	43 <sup>3</sup> / <sub>64</sub>	3 <sup>11</sup> / <sub>32</sub>	5 <sup>1</sup> / <sub>8</sub>	4 <sup>1</sup> / <sub>32</sub>	2 <sup>11</sup> / <sub>32</sub>	2.1890	0.874	1/2
2 <sup>1</sup> / <sub>8</sub>	<b>UCFA211-202D1</b>													
2 <sup>3</sup> / <sub>16</sub>	<b>UCFA211-203D1</b>													

Remarks: 1) These numbers indicate relubricatable type. If maintenance free type is needed, please order without suffix "D1".  
 Note: Please refer to page 36 for size of grease fitting.

Bearing number	Housing number <sup>1)</sup>	Mass (approx.)	
		kg	lb
UC209D1	FA209D1	1.9	
UC209-110D1	FA209D1		
UC209-111D1	FA209D1	4.2	
UC209-112D1	FA209D1		
UC210D1	FA210D1	2.2	
UC210-113D1	FA210D1		
UC210-114D1	FA210D1	4.9	
UC210-115D1	FA210D1		
UC210-200D1	FA210D1		
UC211D1	FA211D1	2.9	
UC211-200D1	FA211D1		
UC211-201D1	FA211D1	6.4	
UC211-202D1	FA211D1		
UC211-203D1	FA211D1		