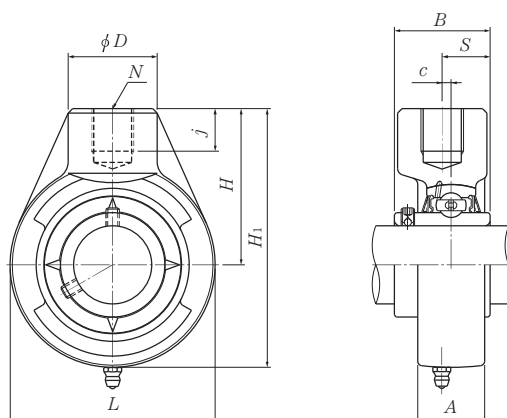


Hanger units cast housing
Set screw type



Shaft dia.	Unit number ¹⁾	Nominal dimensions										Bearing number		
		mm		inch		mm							inch	
		L	H ₁	c	A	H	N	D	j	B	S			
12 1/2	UCHB201D1 UCHB201-008D1	64	96	0	21	64	RP3/4	40	19	31	12.7	UC201D1 UC201-008D1		
		2 17/32	3 25/32	0	13/16	2 33/64	RP3/4	1 9/16	3/4	1.2205	0.500			
15 9/16 5/8	UCHB202D1 UCHB202-009D1 UCHB202-010D1	64	96	0	21	64	RP3/4	40	19	31	12.7	UC202D1 UC202-009D1 UC202-010D1		
		2 17/32	3 25/32	0	13/16	2 33/64	RP3/4	1 9/16	3/4	1.2205	0.500			
17 1 1/16	UCHB203D1 UCHB203-011D1	64	96	0	21	64	RP3/4	40	19	31	12.7	UC203D1 UC203-011D1		
		2 17/32	3 25/32	0	13/16	2 33/64	RP3/4	1 9/16	3/4	1.2205	0.500			
20 3/4	UCHB204D1 UCHB204-012D1	64	96	0	21	64	RP3/4	40	19	31	12.7	UC204D1 UC204-012D1		
		2 17/32	3 25/32	0	13/16	2 33/64	RP3/4	1 9/16	3/4	1.2205	0.500			
25 13/16 7/8 15/16 1	UCHB205D1 UCHB205-013D1 UCHB205-014D1 UCHB205-015D1 UCHB205-100D1	78	103	0	24	64	RP3/4	40	19	34.1	14.3	UC205D1 UC205-013D1 UC205-014D1 UC205-015D1 UC205-100D1		
		3 1/16	4 1/16	0	15/16	2 33/64	RP3/4	1 9/16	3/4	1.3425	0.563			
30 1 1/16 1 1/8 1 3/16 1 1/4	UCHB206D1 UCHB206-101D1 UCHB206-102D1 UCHB206-103D1 UCHB206-104D1	78	103	0	28	64	RP3/4	40	19	38.1	15.9	UC206D1 UC206-101D1 UC206-102D1 UC206-103D1 UC206-104D1		
		3 1/16	4 1/16	0	1 3/32	2 33/64	RP3/4	1 9/16	3/4	1.5000	0.626			
35 1 1/4 1 5/16 1 3/8 1 7/16	UCHB207D1 UCHB207-104D1 UCHB207-105D1 UCHB207-106D1 UCHB207-107D1	92	116	0	30	70	RP3/4	40	19	42.9	17.5	UC207D1 UC207-104D1 UC207-105D1 UC207-106D1 UC207-107D1		
		3 5/8	4 9/16	0	1 3/16	2 3/4	RP3/4	1 9/16	3/4	1.6890	0.689			
40 1 1/2 1 9/16	UCHB208D1 UCHB208-108D1 UCHB208-109D1	96	121	2	33	73	RP3/4	40	19	49.2	19	UC208D1 UC208-108D1 UC208-109D1		
		3 25/32	4 3/4	3/32	1 5/16	2 7/8	RP3/4	1 9/16	3/4	1.9370	0.748			
45 1 5/8 1 11/16 1 3/4	UCHB209D1 UCHB209-110D1 UCHB209-111D1 UCHB209-112D1	108	136	5	35	82	RP1	48	21	49.2	19	UC209D1 UC209-110D1 UC209-111D1 UC209-112D1		
		4 1/4	5 11/32	3/16	1 3/8	3 15/64	RP1	1 7/8	1 3/16	1.9370	0.748			

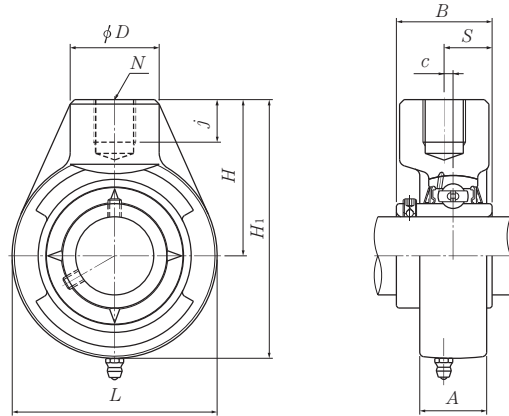
Remarks: 1) These numbers indicate relubricatable type. If maintenance free type is needed, please order without suffix "D1".

Note: Please refer to page 36 for size of grease fitting.

Housing number ¹⁾	Mass (approx.)
HB204D1	1.0
HB204D1	2.2
HB204D1	0.9
HB204D1	2.0
HB204D1	0.9
HB204D1	2.0
HB204D1	0.9
HB204D1	2.0
HB205D1	0.9
HB205D1	
HB205D1	2.0
HB205D1	
HB205D1	
HB206D1	0.8
HB206D1	
HB206D1	1.8
HB206D1	
HB206D1	
HB207D1	1.2
HB207D1	
HB207D1	2.7
HB207D1	
HB207D1	
HB208D1	1.3
HB208D1	2.9
HB208D1	
HB209D1	1.8
HB209D1	
HB209D1	4.0
HB209D1	

Nominal Designation of Thread	Nominal dimensions mm		
	Major Diameter of Internal Thread	Pitch Diameter	Minor Diameter of Internal Thread
Rp $\frac{3}{4}$ (PS $\frac{3}{4}$)	26.441	25.279	24.117
Rp1 (PS1)	33.249	31.770	30.291
Rp $1\frac{1}{4}$ (PS $1\frac{1}{4}$)	41.910	40.431	38.952
Rp $1\frac{1}{2}$ (PS $1\frac{1}{2}$)	47.803	46.324	44.845

Hanger units cast housing
Set screw type



Shaft dia.	Unit number ¹⁾	Nominal dimensions										Bearing number
		mm					inch					
		L	H ₁	c	A	H	N	D	j	B	S	
50	UCHB210D1	118	142	5	37	83	RP1	48	21	51.6	19	UC210D1
1^{13/16}	UCHB210-113D1											UC210-113D1
1^{7/8}	UCHB210-114D1											UC210-114D1
1^{15/16}	UCHB210-115D1	4^{21/32}	5^{19/32}	3/16	1^{15/32}	3^{17/64}	RP1	1^{7/8}	1^{3/16}	2.0315	0.748	UC210-115D1
2	UCHB210-200D1											UC210-200D1
55	UCHB211D1	126	158	7	38	95	RP1^{1/4}	60	25	55.6	22.2	UC211D1
2	UCHB211-200D1											UC211-200D1
2^{1/16}	UCHB211-201D1											UC211-201D1
2^{1/8}	UCHB211-202D1	4^{31/32}	6^{7/32}	9/32	1^{1/2}	3^{47/64}	RP1^{1/4}	2^{3/8}	3^{1/32}	2.1890	0.874	UC211-202D1
2^{3/16}	UCHB211-203D1											UC211-203D1
60	UCHB212D1	142	173	9	42	102	RP1^{1/4}	60	28	65.1	25.4	UC212D1
2^{1/4}	UCHB212-204D1											UC212-204D1
2^{5/16}	UCHB212-205D1											UC212-205D1
2^{3/8}	UCHB212-206D1	5^{19/32}	6^{13/16}	1^{1/32}	1^{21/32}	4^{1/64}	RP1^{1/4}	2^{3/8}	1^{3/32}	2.5630	1.000	UC212-206D1
2^{7/16}	UCHB212-207D1											UC212-207D1
65	UCHB213D1	166	200	9.5	44	117	RP1^{1/2}	70	32	65.1	25.4	UC213D1
2^{1/2}	UCHB213-208D1	6^{17/32}	7^{7/8}	3/8	1^{23/32}	4^{39/64}	RP1^{1/2}	2^{3/4}	1^{1/4}	2.5630	1.000	UC213-208D1

Remarks: 1) These numbers indicate relubricatable type. If maintenance free type is needed, please order without suffix "D1".

Note: Please refer to page 36 for size of grease fitting.

Housing number ¹⁾	Mass (approx.)
HB210D1	2.2
HB210D1	
HB210D1	4.9
HB210D1	
HB210D1	
HB211D1	2.8
HB211D1	
HB211D1	6.2
HB211D1	
HB211D1	
HB212D1	3.7
HB212D1	
HB212D1	8.2
HB212D1	
HB212D1	
HB213D1	5.7
HB213D1	12.6

Nominal Designation of Thread	Nominal dimensions mm		
	Major Diameter of Internal Thread	Pitch Diameter	Minor Diameter of Internal Thread
Rp $\frac{3}{4}$ (PS $\frac{3}{4}$)	26.441	25.279	24.117
Rp1 (PS1)	33.249	31.770	30.291
Rp $1\frac{1}{4}$ (PS $1\frac{1}{4}$)	41.910	40.431	38.952
Rp $1\frac{1}{2}$ (PS $1\frac{1}{2}$)	47.803	46.324	44.845