



# TIMKEN

Where You Turn

Timken® Fafnir®  
Farm Line Interchange



**TIMKEN**  
Where You Turn

[www.timken.com](http://www.timken.com)

Timken®, Fafnir® and Where You Turn® are the registered trademarks of The Timken Company

©2006 The Timken Company  
15M 01-06-29 Order No. 5768

**TIMKEN**  
Fafnir®



# Contents

<b>1. Introduction</b> .....	<b>3</b>
<b>2. Design &amp; Manufacturing</b> .....	<b>3</b>
<b>3. Seals</b> .....	<b>4</b>
<b>4. Lubrication</b> .....	<b>5</b>
<b>5. Wide Inner Ring Bearings</b> .....	<b>6</b>
<b>6. Self Locking Collar Installation</b> .....	<b>7</b>
<b>7. Special Ball Bearings</b> .....	<b>8-14</b>
<b>8. Manufacturer Interchange</b> .....	<b>15-48</b>
Interchange Directory .....	15
Allis Chalmers .....	16,17
Amco Products	
Portable Elevator Div. ....	17
Arts Way Manufacturing .....	17
Athens Plow .....	17
Avco New Idea .....	18
Bingham Brothers .....	18
Blackwelders .....	19
Blanton Plow .....	19
Brinly- Hardy .....	19
Burch, Inc. ....	19
Bush Hog .....	20
Bush Hog Stan Hoist .....	20
Butler Manufacturing .....	20
Butler Manufacturing	
- Oswalt Div. ....	20
Case Corp. ....	21 - 23
Clark Equipment Company .....	23
Clarke-Gravley Corp. ....	24
Cole Manufacturing Co. ....	24
Crisafulli Pump Co. ....	24
Dairy Equip. Co. ....	24
Eversman Manufacturing Co. ....	24
F.M.C. Corp .....	25
Farmhand Inc. ....	25
Ford (Also see "New Holland") ..	26
GEHL .....	27
Graetz .....	27
Hamby Company .....	28
Hesston .....	28, 29
Hesston Plow Co. ....	29
Hobbs -Adams Engineering. ....	30
Hustler Corp .....	30
International Harvester .....	30 - 32
John Blue .....	32
John Deere .....	33 - 36
Johnson Farm Machinery .....	36
Kelley Manufacturing Co. ....	37
Kewanee. ....	37
Koehring. ....	37, 38
Krause Plow Corp. ....	38
Lilliston Corp. ....	38, 39
LML Corp .....	39
Lockwood Corp. ....	39, 40
Long Manufacturing N.C .....	40
Massey Ferguson .....	41
Meyer Morton .....	41
Monroe-Tufline .....	42
Mott Corp. ....	42
Nelson Irrigation Corp. ....	42
New Holland (Also see "Ford") ..	44, 43
Owatonna. ....	44
Pittsburgh Forgings Co. ....	44
Pounds Motor Co. ....	44
Powell Manufacturing Co. ....	45
Rainbow Irrigation .....	45
Roll -A-Cone Manufacturing .....	45
Rome Industries .....	45
Rood .....	45
Schuld Manufacturing Co. ....	45
Simplicity .....	46
Taylor Implement .....	46
Taylor Machine Works .....	46
Thiokol Chemical Corp. ....	46
Tye Company .....	47
Vann Industries, Inc .....	47
Vermeer .....	47
W & A Manufacturing. ....	47
Western Land Roller Co. ....	47
White Farm Equip., Co. ....	48
<b>9. Competitor Interchange</b> .....	<b>49-56</b>
BCA .....	49 - 50
Don Dye .....	51
Federal .....	51
Linkbelt. ....	52 - 53
MRC .....	53
NDH .....	54
Roberts. ....	55
Sealmaster. ....	56
SKF .....	56

Since introducing the wide inner ring bearing design in the early 1900's, Fafnir has been a leading name in ball bearings. Today, the Timken® Fafnir® brands can be found on a wide array of ball bearings. Each design is developed with the same idea in mind – to maximize performance.

The original Fafnir wide inner ring ball bearing design was provided to users who needed ball bearings which could be mounted easily on straight shafts and positioned without shoulders, locknuts or adapters. Later, this same design was used in farm equipment applications, allowing Fafnir to establish itself as a major supplier of ball bearings and ball bearing units in this industry.

Through the years, Fafnir has introduced many bearing innovations to improve performance and give longer life. Some of these advances include:

- a complete line of prelubricated and relubricatable bearings
- flangette pressed steel housing units for light-duty, moderate-speed applications
- tri-ply seals for effective protection against loss of lubricant and entrance of contaminants
- ductile iron units for compact, high strength versatility

- shroud seals for positive sealing against abrasives and fiber wrap
- molded nylon retainer for extra strength, and better bearing performance under misalignment
- a Thin Dense Chrome (TDC®) plate which eliminates the concern of chemical attack on bearing steel
- gothic race bearings which provide superior stiffness for the toughest of tillage applications

The performance advantages of these designs have led to their quick adoption by farm implement manufacturers. Other special units developed by Timken for serving the needs of the agriculture bearing field include idler pulleys, idler sprockets, hex and square bore bearings, plus many varieties of special bearings and pressed steel units.

For more than 100 years, customers have turned to Timken for friction management solutions. During that time, our knowledge has grown far beyond bearings. To learn more, contact your Timken salesperson or visit [www.timken.com](http://www.timken.com).

## WARNING

**Never spin a bearing with compressed air. The rollers may be forcefully expelled, creating a risk of serious bodily harm. Proper maintenance and handling practices are critical. Failure to follow installation instructions and to maintain proper lubrication can result in equipment failure, creating a risk of serious bodily harm.**

From the original design through the many manufacturing processes, every Timken® Fafnir® bearing is produced to strict standards of high quality. The precision built into these bearings guarantees maximum performance in load carrying ability and running accuracies. **Fafnir bearings are precision-grade**, meeting ABMA, ABEC-1 specifications, and are not to be confused with hardware grade or semi-precision bearings of the pressed metal or machined-only variety.

### DESIGN

Timken Fafnir's agricultural line of bearings are **designed specifically for farm equipment applications**. These designs have been adapted to suit the particular needs of farm machinery where conditions emphasize the need for better bearing seals and economical, easily-mounted housings that provide for alignment.

Fafnir bearings incorporate balanced design between the ball complements and race sections to give maximum capacity without sacrifice in ring sections. Other factors such as race depth, race conformity to the ball, internal clearance, etc., are tailored for maximum performance in agricultural applications.

Working closely with farm equipment manufacturers, Fafnir bearings are tested and proven on both the farm and in dust and mud simulated test conditions.

The **Buna-N material** selected for the Fafnir seals combine excellent chemical resistance with an effective barrier against the entrance of contamination and loss of lubricant. The heat stabilized moisture conditioned, **molded 6/6 nylon retainer** has proven to be superior to two piece riveted steel under conditions of operating misalignment.

Fafnir seals and retainer innovations, along with advanced manufacturing techniques, improve the bearing's performance and reliability in tough agricultural applications.

### MATERIAL

Fafnir ball bearings are made of the finest materials available. Carefully processed bearing quality chromium-alloy, high carbon steels and other specialized steels are used in the manufacturing process.

Though specific applications may require **carburized steels**, the large majority of bearings are **through-hardened steel**. This combination of high quality bearing steel and heat treatment results in optimum bearing performance.

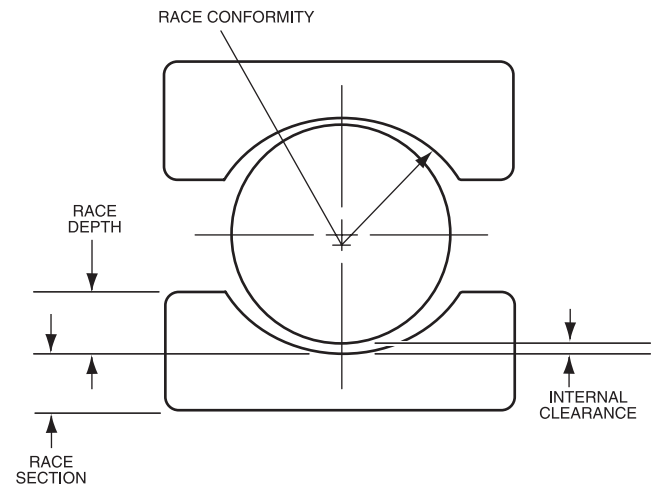
### MANUFACTURING

Design and bearing specifications are built into every bearing during the manufacturing process. The most advanced precision grinding and processing equipment guarantee exact conformance to the highest tolerance requirements demanded. Advantages with this precision grinding is evident in Fafnir wide inner ring farm bearings where **superfinished raceways** yield quieter, smoother and cooler operating bearings. These benefits result in longer bearing life for the application.

This recognized manufacturing excellence is also carried through to machining of housed units and stamping of pressed metal housings, assuring accurate fit and proper ring support.

### PERFORMANCE

Bearing performance is largely dependent on precision and proper design for the application. Because of the special care Timken takes in design, material selection, manufacturing and working closely with farm equipment engineers extra precision is built into these bearings. This extra precision allows Timken Fafnir bearings to achieve maximum performance through high load carrying capacity and precise running accuracies which are essential for efficient sealing.



Timken® Fafnir®'s "Balanced Design" gives maximum capacity without ring section sacrifice.



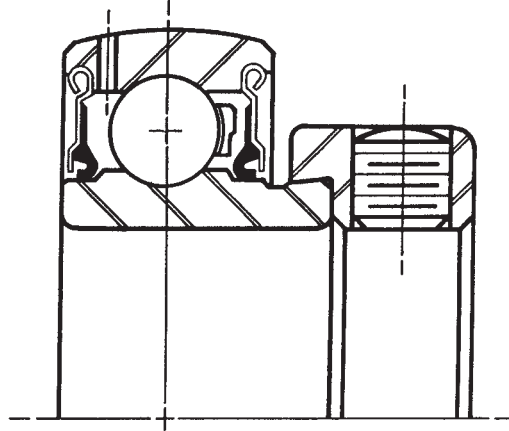
The molded nylon retainer offers improved performance and reliability.

## 3 Seals

Timken offers a variety of integral seals on both wide inner ring and radial ball bearings for virtually all farm implement applications.

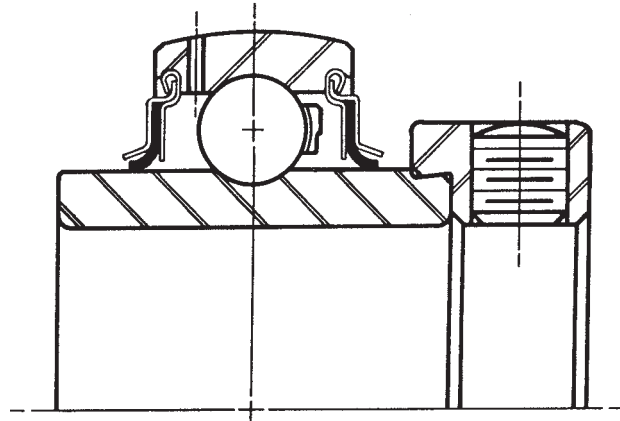
### R-SEAL – RA-RR SERIES EXTENDED INNER RING AND RADIAL BEARINGS

The RA-RR series bearings feature Fafnir's positive contact, land-riding seal developed especially for agricultural applications. The nitrile rubber seal lip is molded to a close clearance heavy metal shroud cap. This shroud design prevents injury to the seal lip and provides improved protection from dirt, dust, fibre wrap and abrasion. Seal back-up is provided by a ground shoulder on the inner outside diameter (O.D.), inboard of the seal to eliminate seal lip inversion. The sealing surface is crush-ground simultaneously with the ball race to provide excellent surface finish and concentricity.



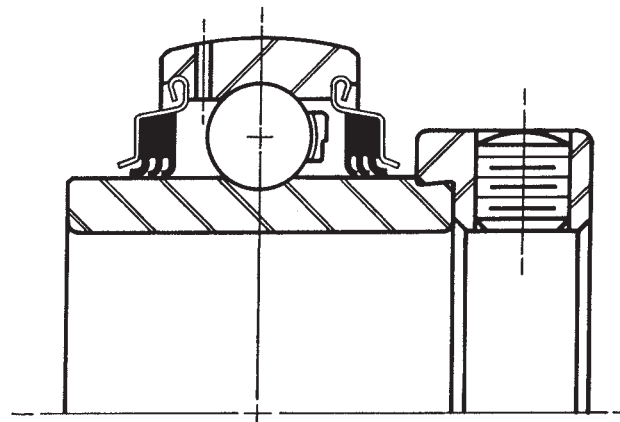
### R-SEAL – RR SERIES WIDE INNER RING AND RADIAL BEARINGS

These bearings incorporate Fafnir's advanced sealing design, the Shroud Seal, which locks-in the lubricant and gives unsurpassed protection from dirt, dust and abrasion. In this design the Buna N synthetic rubberized fabric seal is completely protected by a tight-fitting crimped-in metal cap. The external shroud cap conforms closely to the contours of the seal and helps prevent injury to the seal lip. The seal lip flare guarantees all-around contact between the seal lip and the ground O.D. of the inner ring. A steel backup plate which supports the seal rubber and prevents the seal lip from inverting completes the assembly. These bearings are effective in extremely dirty applications at moderate speeds.



### TRI-PLY SHROUD SEAL - TRI-PLY SERIES WIDE INNER RING AND RADIAL BEARINGS

Tri-Ply Seal units solve the most difficult sealing problems because they are capable of withstanding the toughest environments of abrasive dirt and moisture. Tri-Ply seals come in one-piece molded and seven-piece sandwich design. The molded type features a triple lip nitrile seal molded to a heavy metal shroud cap. The shroud design protects the seal lip from dirt, dust, fibre wrap and abrasion. The seven-piece design consists of three positive contact rubberized fabric seals, separated by steel spacers and retained by "crimped-in" steel caps. This design incorporates the contoured shroud cap for maximum protection of the seals. Bearings supplied with Tri-Ply seals will provide superior performance in applications operating at slow speeds and in the harshest of environments.



Ball bearings must be lubricated to minimize friction between balls and raceways and balls and retainers; to protect the bearings from corrosion; to protect the bearings from foreign matter and to dissipate some of the heat of operation. Generally, grease is the lubricant most often used in all agricultural applications.

**PRELUBRICATION**

Fafnir prelubricated ball bearings provide the farmer marked savings in time, labor, cost of greasing equipment and bearing replacement. These bearings cannot be contaminated by careless relubrication practices.

Prelubricated Fafnir ball bearings are prepacked with a water resistant grease chosen for chemical and mechanical stability. The grease is thoroughly tested in Timken’s research facility to prove its effective lubricating value. All greases are passed through multi-filters before being-accurately metered into the bearings.

Non-relubricatable, sealed ball bearings do not require on-the-job greasing and offer the advantage of preventing bearing failure which might be caused by the following conditions;

1. Contamination of bearing grease by the entrance of foreign matter such as dust, dirt, lint, grit and metal particles, due to careless relubricating procedures.
2. Lubrication of the bearing with the wrong grease.
3. Over lubrication.

Because of their proven advantages, Fafnir non-relubricatable ball bearings are used on virtually all major makes of farm machinery, including balers, blowers, choppers and cutters, combines, disk implements, elevators, loaders, mills of all types, rakes, spreaders, etc.



**RELUBRICATION**

While non-relubricatable bearings are successful in a majority of farm machinery applications, certain conditions where extreme moisture prevails may require relubrication.

It is recommended that for purposes of relubricating ball bearings the lubricant or grease have the following characteristics;

1. Temperature range; -30°F (-34°C) to 200°F (93°C) or higher.
2. Water resistance; lithium soap or polyurea thickened grease which is water resistant. Relubricate with a grease having the same thickener as that originally supplied within the bearing.
3. Consistency; NLGI #2 or #3.
4. Oil viscosity; 500 S.U.S. minimum at 100°F (38°C).

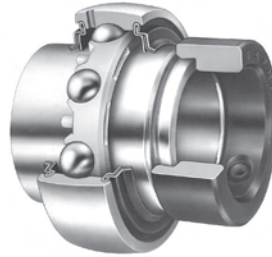


The wide inner ring, locking collar type bearing's basic design has been expanded to offer a wide selection of seals and other features. There is a design ideally suited for every agricultural machinery application requiring this type of bearing.

## BEARINGS WITH THE ECCENTRIC SELF-LOCKING COLLAR

### RR SERIES

Available in both a standard and heavy duty series, the wide inner ring offers maximum shaft support while the positive contact, shroud-cap R Seals (described in detail on page 5) provide positive protection against contaminants. These features, plus the economy and ease of assembly offered by the self-locking collar, make this series ideal for many farm machinery applications.

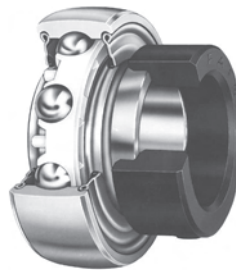


#### Types Available

- 1 Standard or Heavy Series
- 2 Spherical or Cylindrical O.D.
- 3 Relubricatable or Non-Relubricatable
- 4 Double or Single Sealed

### RA-RR SERIES

The RA-RR series features an extended inner ring and self-locking collar for simple effective shaft retention in a standard series bearing. The positive contact, land-riding R-seal (described in detail on page 5) provides improved protection against the heavy contamination normally encountered in agricultural applications. A heat stabilized, moisture conditioned 6/6 nylon retainer has proven extremely effective under conditions of misalignment. Economical RA-RR series bearings are ideally suited for moderately loaded, moderate speed applications.



#### Types Available

- 1 Standard Series
- 2 Spherical or Cylindrical O.D.
- 3 Relubricatable or Non-Relubricatable
- 4 Double Sealed

### TRI-PLY SERIES

Similar in design to the RR series, the Tri-Ply series (described in detail on page 5) features the most effective integral bearing seals ever developed. The combined advantages of the self-locking collar and highly effective seals make this series ideal for applications involving severe contamination, such as in seed-bed preparation and root crop harvesting machinery.



#### Types Available

- 1 Standard Series
- 2 Spherical O.D.
- 3 Relubricatable or Non-Relubricatable
- 4 Double Sealed

## BEARINGS WITH THE CONCENTRIC LOCKING COLLAR

### RR SERIES

The concentric collar, RR series utilizes positive contact, shroud cap RR seals (described in detail on page 5). The holding power of the double set screw concentric collar is unaffected by the direction of shaft rotation and therefore offers an advantage in applications involving reversing shaft rotation. The concentric collar type bearing requires less shaft length for mounting than the eccentric type and can be used where space limitations exist.



#### Types Available

- 1 Standard Series
- 2 Spherical O.D.
- 3 Relubricatable
- 4 Double Sealed

## How To Install The Fafnir Self-Locking Collar

6

Since 1925, the self-locking collar has been used to facilitate the mounting of wide inner ring ball bearings by eliminating the need for locknuts, washers, shoulders, sleeves and adapters.

The inside of the locking collar has a counter-bored recess which is made eccentric with the bore. The collar and the end of the bearing inner ring with which it engages are

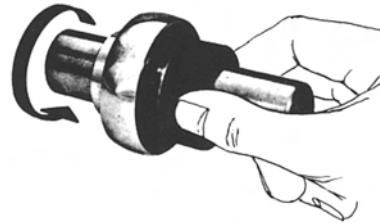
both machined to act as mating cams on the shaft.

When the collar is engaged to the inner ring, it grips the shaft tightly with a positive binding action that increases with use. No adjustments of any kind are necessary and it is impossible to cramp or overload the bearing in mounting.

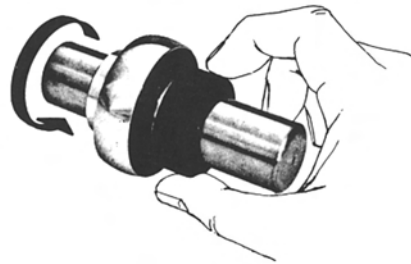
1. Observe cam design of wide inner ring and self-locking collar.



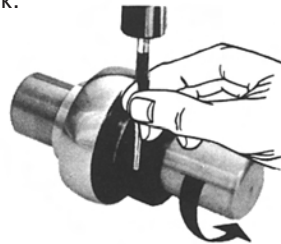
2. Mate cam of collar with cam of bearing inner ring.



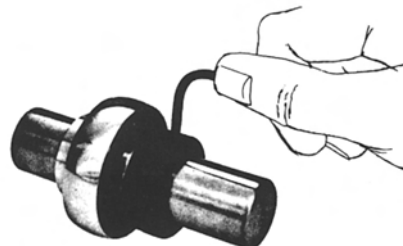
3. Pressing collar lightly against inner ring turn collar **in direction of shaft rotation** until engaged.



4. With drift pin in collar hole, strike **in direction of shaft rotation** to lock.



5. Tighten set screw in collar.



7

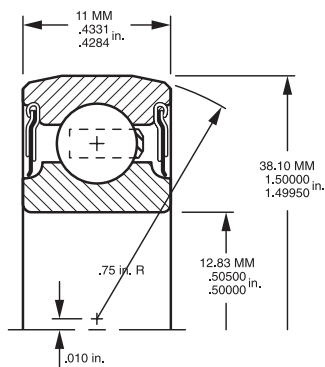


## RADIAL SPECIALS

**Bearing Number 202NPP9****Special Features**

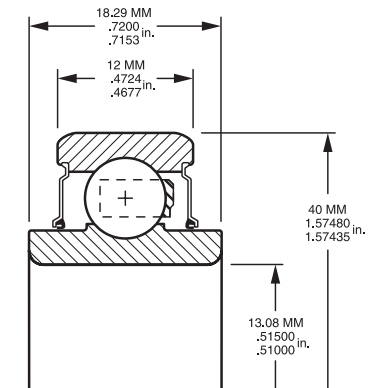
- 1/2 in. Machined Bore
- O.D. corner turned to a 3/4 in. radius
- Buna-N rubber seals

**Typical Applications**  
Baler Cam Follower

**Bearing Number 203RR5****Special Features**

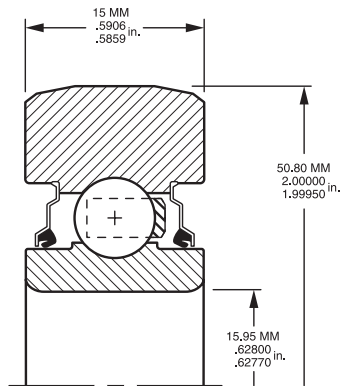
- 1/2 in. Machined Bore
- Heavy contact seal with steel shroud

**Typical Applications**  
Combine feeder house chain drive

**Bearing Number 203RR3****Special Features**

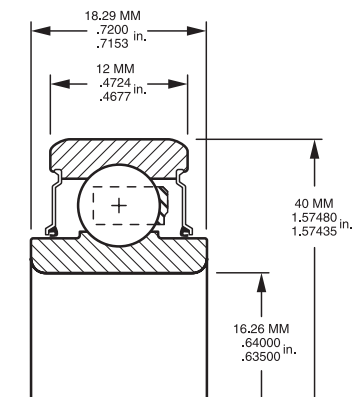
- 5/8 in. Ground Bore
- 2 in. O.D.
- Thick outer ring

**Typical Applications**  
Mower Conditioner Pick-up  
Baler Plunger Guide Rolls

**Bearing Number 203RR2****Special Features**

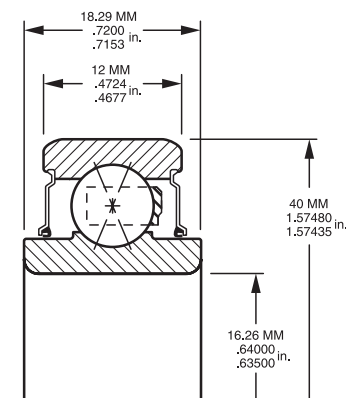
- 5/8 in. Machined bore
- Heavy contact seals with steel shroud cap
- Extended Inner Ring

**Typical Applications**  
Planter coulter attachment  
Windrower

**Bearing Number BB203RR2****Special Features**

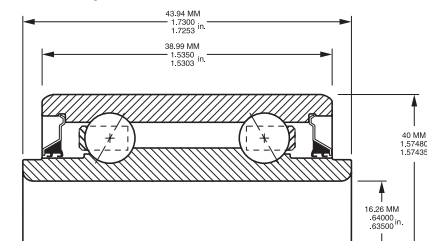
- 5/8 in. Machined bore
- Gothic Arch Races for maximum stiffness
- Heavy contact seals with steel shroud

**Typical Applications**  
Press wheel for No-Till Drill  
Planter wheels

**Bearing Number 5203KYY2****Special Features**

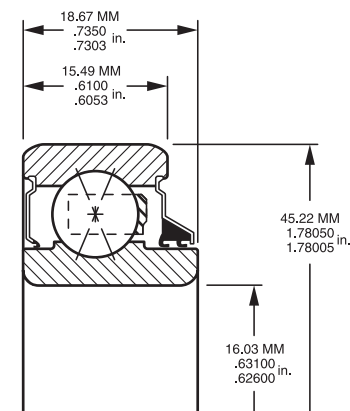
- 5/8 in. Machined Bore
- Wide ball spacing for maximum stability

■ Double lip seals with steel shroud  
**Typical Applications**  
Planter gauge and closing wheel

**Bearing Number 204PY2****Special Features**

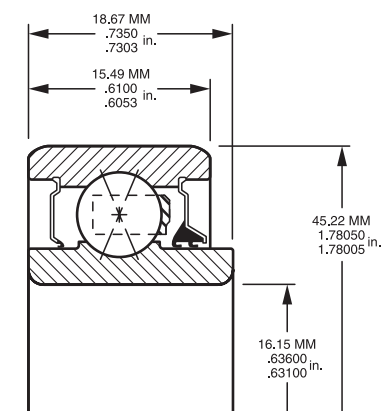
- Replaces Fafnir 204RY2
- 5/8 in. Machined Bore
- Gothic Arch Races for maximum stiffness
- Double lip outboard seal

**Typical Applications**  
Cultivator  
Planter Shank Assembly

**Bearing Number 204PY3****Special Features**

- 16mm Machined bore
- Gothic Arch Races for maximum stiffness
- Double lip outboard seal
- Designed with greater internal looseness

**Typical Applications**  
Planter Shank Assembly  
and Opener Disk

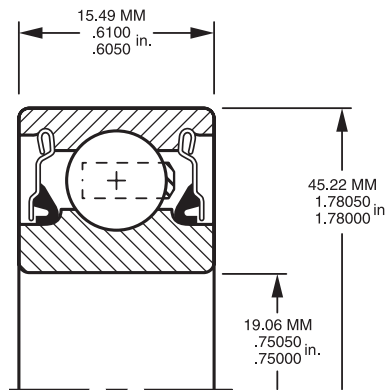


**Bearing Number P204RR6**

**Special Features**

- 3/4 in. Ground Bore
- 1.7805 in. O.D.
- Single lip molded seals

**Typical Applications**  
Mower Spindle

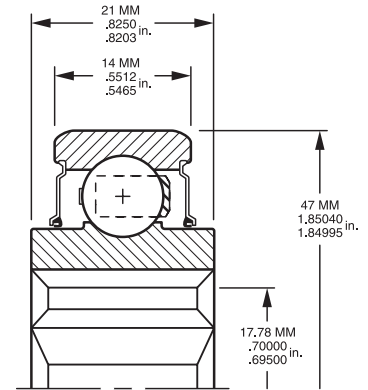


**Bearing Number 204KRR2**

**Special Features**

- 11/16 in. Hex Bore
- Heavy contact seals with steel shroud

**Typical Applications**  
Combine cross auger

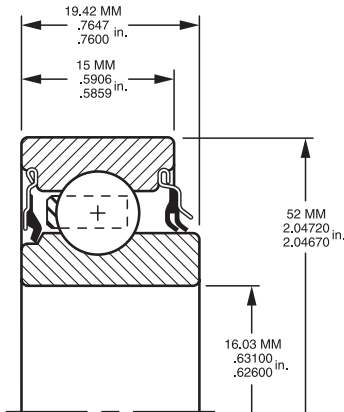


**Bearing Number 205RY2**

**Special Features**

- 5/8 in. Machined Bore
- Single and double lip seals

**Typical Applications**  
Tillage Disk

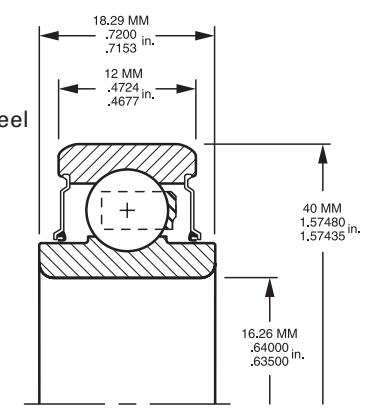


**Bearing Number 205KR3**

**Special Features**

- 3/4 in. Ground Bore
- Heavy contact seal with steel shroud and backup

**Typical Applications**  
Cotton Picker Doffer Shaft

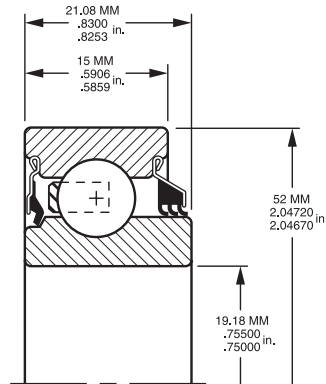


**Bearing Number 205KRP2**

**Special Features**

- 3/4 in. Machined Bore
- Single lip and Tri-Ply seals
- Extra wide inner ring

**Typical Applications**  
Tillage Disk  
Planter Marker

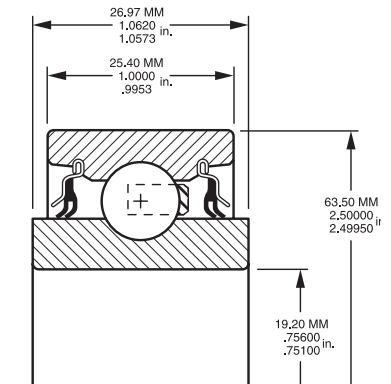


**Bearing Number 205KYY3**

**Special Features**

- 3/4 in. Machined Bore
- 2 1/2 in. O.D.
- Extra wide inner and outer rings
- Double lip seals

**Typical Applications**  
Baler Plunger

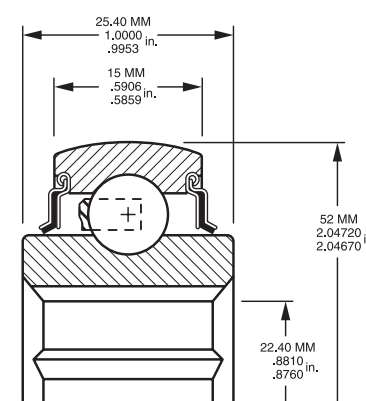


**Bearing Number 205KRRB2**

**Special Features**

- 7/8 in. Hex Bore
- Spherical O.D.
- 1 inch wide inner ring

**Typical Applications**  
Combine Straw Spreader  
and Auger Bed

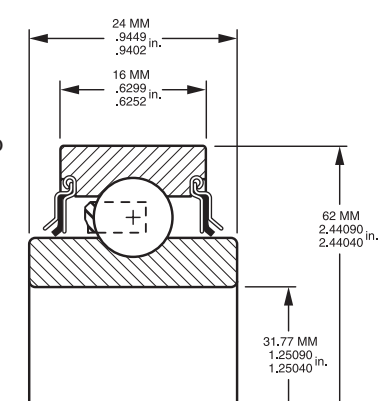


**Bearing Number 206KRR14**

**Special Features**

- 1 1/4 in. Ground Bore
- Heavy contact seals with steel shroud and back up

**Typical Applications**  
Combine Row Crop Head



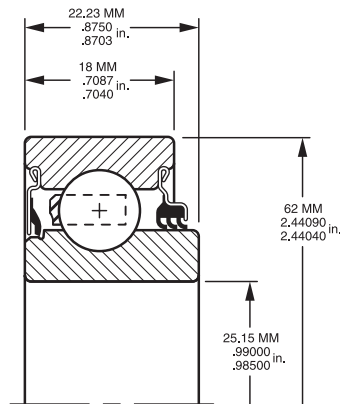
## RADIAL SPECIALS (continued)

**Bearing Number 206KPR4****Special Features**

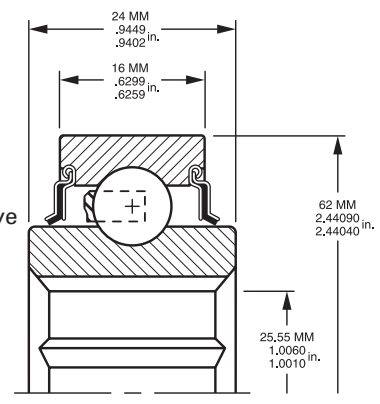
- 25mm Machined Bore
- Single lip and Tri-Ply seals

**Typical Applications**

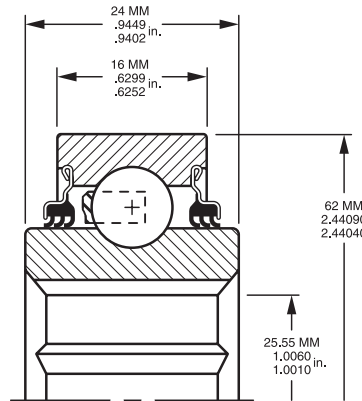
Planter Off-Set Furrower

**Bearing Number 206KRR6****Special Features**

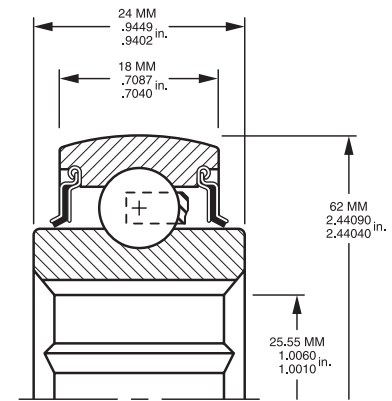
- 1 in. Hex Bore
- Heavy contact seals with steel shroud and backup

**Typical Applications**Baler Auger and Pickup Drive  
Combine Straw Chopper**Bearing Number 206KPP3****Special Features**

- 1 in. Hex Bore
- Molded Tri-Ply seals with steel shroud

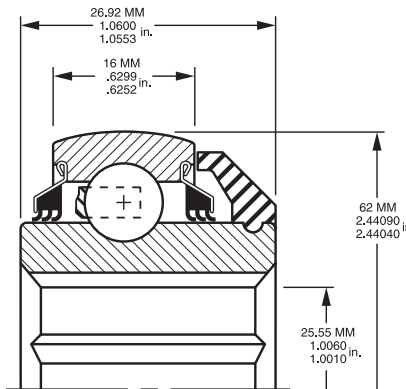
**Typical Applications**Combine Auger  
Cultivator**Bearing Number 206KRRB6****Special Features**

- 1 in. Hex Bore
- Extra wide spherical O.D.
- Heavy contact seals with steel shroud and back up

**Typical Applications**Cotton Picker Strip Roll  
Brushes and Augers  
Baler Pickup Frame**Bearing Number 206KPPB5****Special Features**

- 1 in. Hex Bore
- Spherical O.D.
- Anti-Wrap Polymer Flinger

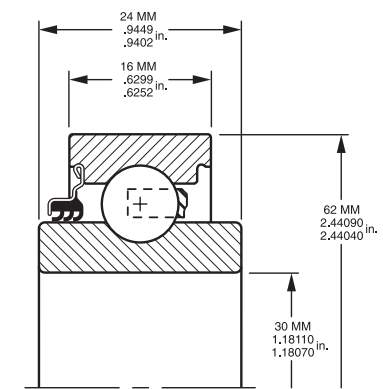
**Typical Applications**  
Cotton Picker Auger  
and Idlers

**Bearing Number 206KP2****Special Features**

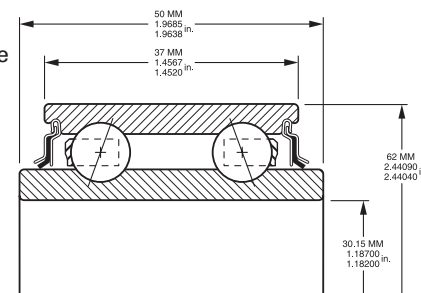
- Molded Tri-Ply seals with steel shroud
- Extended Inner Ring

**Typical Applications**

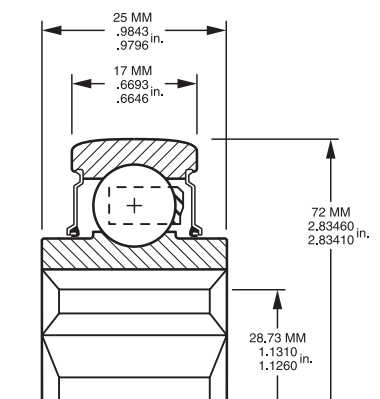
Combine Loading Auger

**Bearing Number 5206RR2****Special Features**

- 30mm Machined Bore
- Wide ball spacing for maximum stability
- Heavy contact seals with steel shroud

**Typical Applications**Grain Drill Hub  
Assembly**Bearing Number 207RRB12****Special Features**

- 1 1/8 in. Hex Bore
- Spherical O.D.
- Heavy contact seals with steel shroud

**Typical Applications**Baler Pickup Support  
Combine Discharge Beater



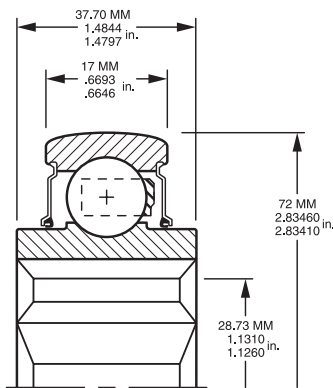
**Bearing Number 207RRB9**

**Special Features**

- 1 1/8 in. Hex Bore
- Spherical O.D.
- Extended Inner ring

**Typical Applications**

Forage Harvester Heads



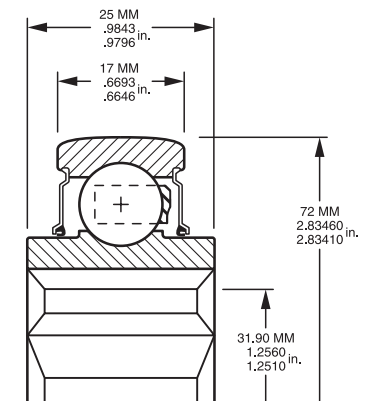
**Bearing Number 207RRB17**

**Special Features**

- 1 1/4 in. Hex Bore
- Spherical O.D.
- Heavy contact seals with steel shroud

**Typical Applications**

Baler Rolls



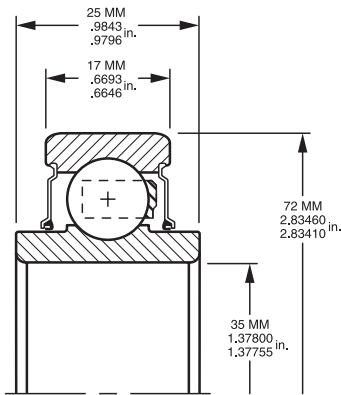
**Bearing Number 207RR3**

**Special Features**

- Extended Inner Ring
- Heavy contact seals with steel shroud
- Bore corner clears .090 in. radius

**Typical Applications**

Combine Countershafts



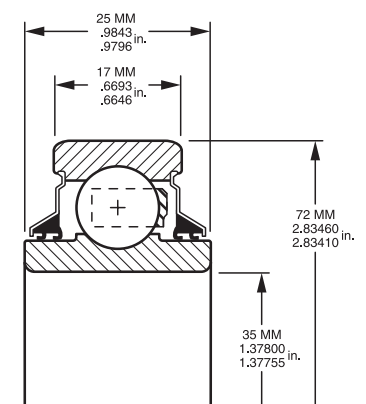
**Bearing Number 207KY Y**

**Special Features**

- Extended Inner Ring
- Molded double lip seals with steel shroud

**Typical Applications**

Combine Fan Sheave  
Disk Hub and Wheel Spindle



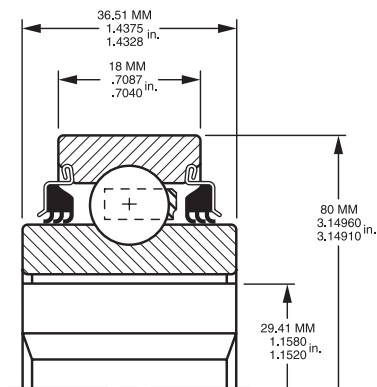
**Bearing Number W208PP20**

**Special Features**

- 1 1/8 in. Square Bore
- Tri-Ply seals

**Typical Applications**

Trenchers



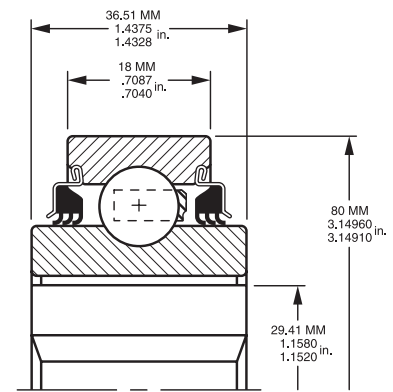
**Bearing Number W208PP5**

**Special Features**

- 1 1/8 in. Square Bore
- Bearing enclosed by Tri-Ply seals

**Typical Applications**

Tillage Disk



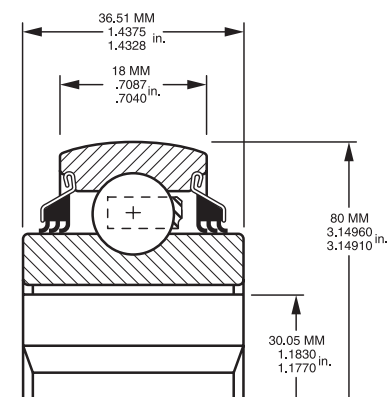
**Bearing Number W208PPB5**

**Special Features**

- 1 1/8 in. Square Bore
- Spherical O.D.
- Tri-Ply seals

**Typical Applications**

Baler Follower Roll



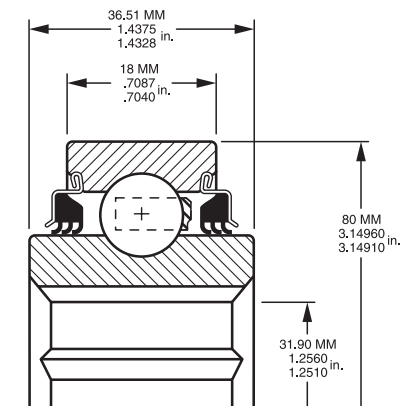
**Bearing Number W208PP21**

**Special Features**

- 1 1/4 in. Hex Bore
- Bearing enclosed by Tri-Ply seals

**Typical Applications**

Baler Tension Arms



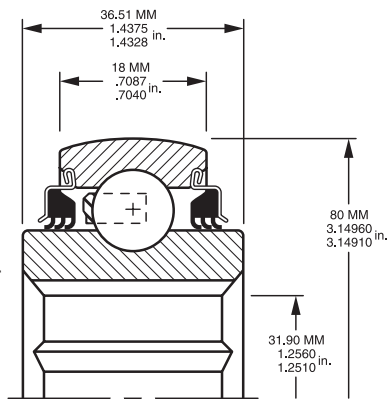
## RADIAL SPECIALS (continued)

**Bearing Number  
W208PPB16****Special Features**

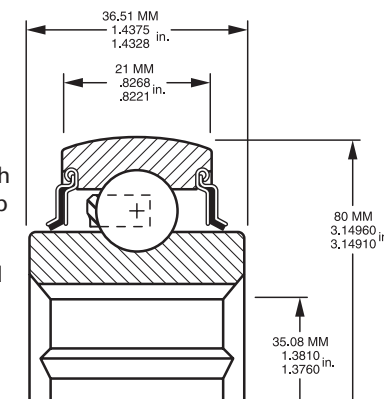
- 1 $\frac{1}{4}$  in. Hex Bore
- Spherical O.D.
- Extra wide inner ring
- Tri-Ply seals

**Typical Applications**

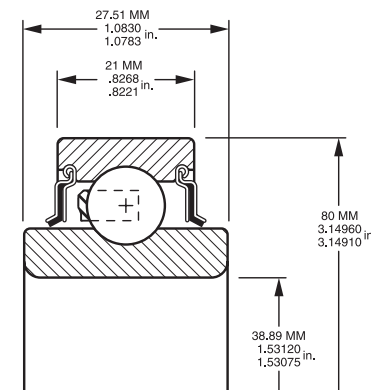
Combine Unloading Auger

**Bearing Number  
W208KRRB6****Special Features**

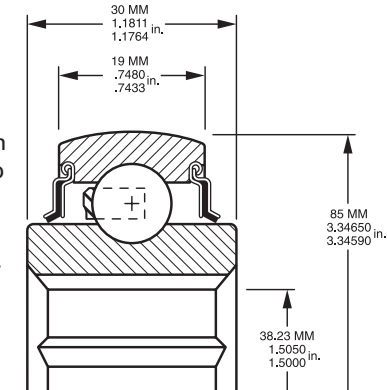
- 1 $\frac{3}{8}$  in. Hex Bore
- Spherical O.D.
- Heavy contact seals with steel shroud and backup

**Typical Applications**Combine Main Grain Head Auger Support  
Self-Propelled Mower  
Conditioner**Bearing Number 208KRR4****Special Features**

- Designed with greater internal looseness
- Extended inner ring
- Heavy contact seals with steel shroud and backup

**Typical Applications**Cotton Picker Conveying Fan and Doffer Reel  
Combine Drive Wheel Shaft**Bearing Number 209KRRB2****Special Features**

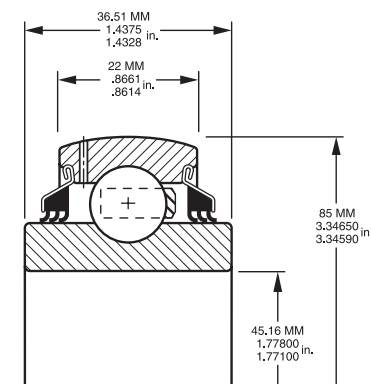
- 1 $\frac{1}{2}$  in. Hex Bore
- Spherical O.D.
- Heavy contact seals with steel shroud and backup

**Typical Applications**Baler Rolls  
Combine Conveyor Feeder**Bearing Number  
GW209PPB11****Special Features**

- 1 $\frac{3}{4}$  in. Machined Bore
- Relubricatable Bearing
- Spherical O.D.
- Tri-Ply Seals

**Typical Applications**

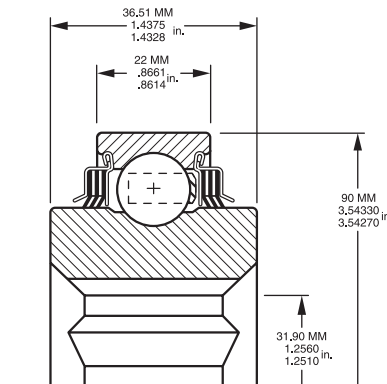
Disk Harrow

**Bearing Number 210PP7****Special Features**

- 1 $\frac{1}{4}$  in. Hex Bore
- Tri-Ply Seals
- Extra Wide Inner Ring

**Typical Applications**

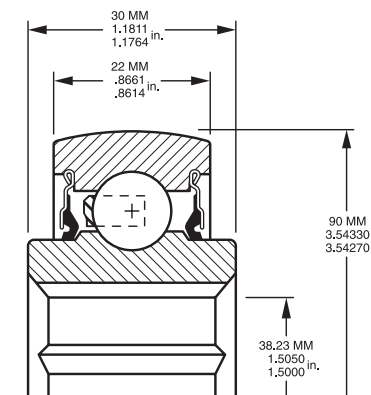
Baler Tension Arms

**Bearing Number 210RRB6****Special Features**

- 1 $\frac{1}{2}$  in. Hex Bore
- Spherical O.D.
- Molded Seals with Steel Shroud

**Typical Applications**

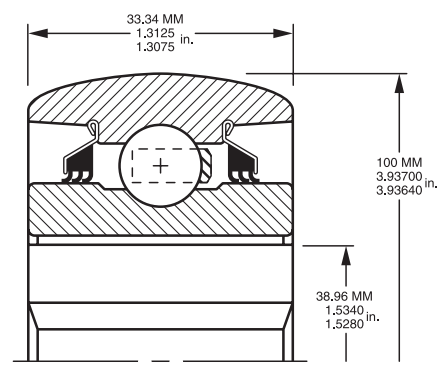
Baler Drive Roll

**Bearing Number W211PPB3****Special Features**

- 1 $\frac{1}{2}$  in. Square Bore
- Heavy Sectioned Spherical O.D.
- Tri-Ply Seals

**Typical Applications**

Pulverizers and Disk Assemblies



Size	Special Features	Typical Application	Major OEM User
<b>200KRR3</b>	Inner Ring Width .6454" One piece molded seals	Windrower	Lockwood
<b>J202KRR8</b>	Extended Inner Width .880"	Tobacco Harvester	Harrington
<b>P202NPP11</b>	.5669" Inner Width 16mm Bore	Cam Follower	Harrington
<b>202KRR7</b>	.500/.505" Bore 1.50000" O.D. .567" width	Cam Follower	John Deere
<b>202KRR9</b>	.5512" Bore .5509 35mm O.D. 11 mm Wide Outer		
<b>P203RR3</b>	$\frac{5}{8}$ " Bore, 2" O.D. Heavy section Outer Ring	Cam Follower Guide Rolls for Baler Plunger	New Holland
<b>203KRR6</b>	$\frac{5}{8}$ " Bore, 47mm O.D. Heavy section outer Ring	Baler Pick Up	Vermeer
<b>203NPP9</b>	$\frac{5}{8}$ " Bore .510 Width	Disc Grain Drill Opener	John Deere
<b>P203PP10</b>	.6255/.6260" Bore	Light Duty Disc Applications	Kennco
<b>P204KR2</b>	Bore .7505/.7500" Width .610/.605" O.D. 1.7805/1.7800"	Rotary Lawn Tractor Blade Spindle Bearing	Howard
<b>204KRD4</b>	$\frac{5}{8}$ " Bore, extended Inner "R" Seal side .689/.684"	Disc Opener Seed Drill	Tye Co.
<b>204KRN5</b>	Bore .631/.626" Extended Inner Width 1.125/1.120"	Planter Opener Wheels	Orthman
<b>P204KRRB5</b>	Bore .793/.788" Inner Width .6988/ .6938"	Row Crop Machine	New Holland
<b>204RR6 E8728</b>	Ground Bore .7505/ .7500" O.D. 1.7805" Extra loose radial play Width .610"	Planter Gauge Wheels	John Deere
<b>H204KRN6</b>	Bore, O.D., Width same as P204KR2	Planter	White
<b>204RR7 E8728</b>	$\frac{3}{4}$ " Bore 1.7805" O.D. .610" Width Extra loose radial play	Rolling Cultivator Disc Sprockets, Pulleys and Disc Opener	Lilliston
<b>204RR8</b>	.631" Bore .626 1.7805" O.D. 1.7800 .610" Width .605	Planter	Great Plains
<b>H204RR11</b>	.631" Bore .626 1.8504" O.D. 1.8499 .6890" Width	Planter	Tru-Part White Farm

Size	Special Features	Typical Application	Major OEM User
<b>205NPP2</b>	Inner Width .6594/ .6544"	Miscellaneous	John Deere
<b>205KP6</b>	$\frac{3}{4}$ " Bore Tri-Ply Seal on one side with Shroud Cap	Rolling Cultivator Coulter Bearing	Lilliston
<b>205KRR6</b>	$\frac{1}{2}$ " Bore, Extended Inner Ring	Windrow Digger	Lockwood
<b>205KRR7</b>	$\frac{1}{2}$ " Bore, 1.500/ 1.495" Extended inner with Offset Race	Cone Roller Beet and Potato Harvester	Lockwood
<b>205PPB7</b>	$\frac{15}{16}$ " Bore Tri-Ply Seals, 1.375/1.370" Inner Width	Rolling Cultivator	Lilliston
<b>G205KPRB11</b>	$\frac{7}{8}$ " Hex Bore One "R" Seal and One Tri-Ply Seal Inner Width 1.000/.9953"	Corn Head Mechanism	Gehl
<b>205PP9</b>	$\frac{3}{4}$ " Bore, Inner Width 1.3750/1.3700" Tri-Ply Seals	Cultivator	Kelley
<b>205PP10</b>	$\frac{5}{8}$ " Bore, Inner Width 1.375/1.370" Tri-Ply Seals	Potato Harvester	FMC
<b>205PP11</b>	1" Bore, Inner Width 1.187/1.185" Tri-Ply Seals	Marker Wheel	Roll-A-Cone
<b>205PP12</b>	$\frac{5}{8}$ " Bore, Inner Width 1.500/1.495" Tri-Ply Seals	Cone Roller Beet and Potato Harvester	Lockwood
<b>205PP13</b>	$\frac{7}{8}$ " Hex Bore, Inner Width 1.000/.9953" Tri-Ply Seals	Corn Head Mechanism	Allis Chalmers
<b>T205TRS2</b>	$\frac{3}{4}$ "-16 UNF-2A Integral Stud Track Roller 2.5" Ground O.D. .888" .883" Outer width overall length, 2 $\frac{1}{4}$ "	Plunger Bearing Baler	New Holland
<b>205PP3</b>	1.0236" Bore 1.0232"	—	Owatonna
<b>206KRD</b>	Offset Rings Inner Width - .7874" Outer Width - .6299" "R" Seal on extended inner side	Combine Mechanism	John Deere
<b>206KPP2</b>	Tri-Ply Seals Wide Inner Ring .9449"	Forage Harvester	Hesston
<b>H206KRP2 A1391</b>	$\frac{3}{4}$ " Bore Wide Inner Ring .9449" Extended on "R" seal side	Disc Hillers and Bedders	Cole
<b>206KPPB3</b>	1" Hex Bore, Tri-Ply Seals, Inner Width .9449/.9402"	Disc Harrow	IHC
<b>206KRR4</b>	Large Inner Ring Bore Corner to clear .090 R Shaft Fillet	Drive Shaft Bearing	Ace Pump
<b>206KRRB3</b>	1 $\frac{1}{8}$ " Bore, "R" Seal with Shroud Cap	Corn Picker Snapping Rolls	John Deere

Size	Special Features	Typical Application	Major OEM User
206KRRB9	1" Bore, Inner Width .9450/.9400"	Planter	White
206KRR13	3/4" Bore	Idler Sprocket Bearing for Round Baler	New Holland
206KPP4	1" Hex Bore 62mm O.D. 1.060" inner width .6299" outer width Inner race offset to accommodate anti-wrap shroud	Cotton Stripper	John Deere
J206K14PRB	1.2509" Bore 1.2505" .9449" .9399" inner width	Harvester	John Deere
207KPP3	1 1/4" Hex Bore .030" Corner Rad between flats Accommodates Round Cornered Shafting	Forage Harvester	John Deere
207RR8	Large Inner Ring Bore Corner to clear .090R Shaft Fillet, Narrow Inner 8499/.8399"	Baler	Hesston
P207RRB10	1 1/4" Bore, Flare Out Type R Seal with Shroud Cap	Corn Picker Snapping Rolls	John Deere
207RR12	1 1/8" Hex Bore	Forage Harvester	John Deere
P207KRNPB13	Bore 1.2505/ 1.2500", Extended Inner 1.000/.9450" on R Seal Side	Corn Picker Gathering Chain	Avco New Idea
207RR14	Bore 1.2530/1.2525"	Disc Harrow Transport Wheel	John Deere
G207RRB3	1 1/8" Hex Bore 1.4844" 1.4794" width inner	Forage Harvester	John Deere
207KP2	35mm Bore 72mm O.D. 1.000" inner width 17mm outer width	Disc Hiller	
P208KRR4 A1849	Bore 1.5312/1.5307" Large Inner Ring Bore Corner to clear .090R Shaft Fillet	Clutch Shaft	Allis Chalmers
208NPPB5	Bore 1.4380/1.4375" Ply Seals with Shroud Cap	Crank Pin for Square Baler	New Holland
W208K2 E9003	1" Sq. Bore External Tri-ply Seals	Disk Harrow	John Deere
W208K3 E9003	1 1/8" Sq. Bore External Tri-ply Seals	Disk Harrow	J.I. Case
W208PPB11	Spherical O.D. ground flat, with 7/8" Sq. Bore	Disc Harrow	J.I. Case
GW208PP17	1 1/8" Sq. Bore 3.37550" O.D. 1.4375" inner width 1.1880" outer width	Disc Harrow	Tru-Part

Size	Special Features	Typical Application	Major OEM User
GW208PPB22	1 1/4" Hex Bore 80mm O.D. 1.4375" inner width .8268" outer width	Disc Harrow	-
GW208PPB29	1 1/4" Hex Bore 80mm O.D. 1.4375" inner width 1.1875" outer width	Disc Harrow	Allis Chalmers
208KP2	1 1/2" Bore 80mm O.D. 1.0625" inner width .7087" Outer width Extended Tri-Ply seal side only	Disc Hiller	John Deere
W209PPB7	1 1/4" Sq. Bore 85mm O.D. 1.4375" inner width 22mm outer width Ground Spherical O.D.	Forage Harvester	
W209PPB8	1 1/4" Sq. Bore 85mm O.D. 1.4375" inner width .7480" outer width	Forage Harvester	John Deere
W209PPB10	1 1/2" RD Bore 3.438" O.D. 1.1875" inner & outer width Ground Spherical O.D.	Forage Harvester	-
GW209PP5	1 1/4" Sq. Bore 85mm O.D. 1.4375" inner width 1.1875" outer width	Disc Harrow	Allis Chalmers
GW209PP8	1 1/4" Sq. Bore 85mm O.D. 1.4375" inner width .8661" outer width	Disc Harrow	IHC Rhino
304KR2	Offset Inner Ring with .7087" Width	Tractor Water Pump	J.I. Case
BB9105KRR2	1" Bore Inner Extended on one side with 1.000/.995" Width, Two 1 1/64" dia. holes in Inner Ring 180° apart	Hay Rake	New Holland
9113K003 FS264C	Cap Extends Past Inner Face on one side	PTO Drive	John Deere
9114KD03 FS264C	Cap Extends Past Inner Face on one side	PTO Drive	John Deere
9117K3	Bore 3.2500/3.2492" O.D. 127 mm 15° Contact Angle	PTO Drive	John Deere

**Interchange Directory**

Arranged alphabetically and numerically by name of manufacturer

**Original Equipment Manufacturer**

Allis Chalmers ..... 16,17  
 Amco Products Portable Elevator Div. .... 17  
 Arts Way Manufacturing ..... 17  
 Athens Plow ..... 17  
 Avco New Idea ..... 18  
 Bingham Brothers ..... 18  
 Blackwelders ..... 19  
 Blanton Plow ..... 19  
 Brinly- Hardy ..... 19  
 Burch, Inc ..... 19  
 Bush Hog ..... 20  
 Bush Hog - Stan Hoist ..... 20  
 Butler Manufacturing ..... 20  
 Butler Manufacturing-Oswalt Div. .... 20  
 Case ..... 21-23  
 Clark Equip. Company ..... 23  
 Clarke-Gravley Corp. .... 24  
 Cole Manufacturing Co. .... 24  
 Crisafulli Pump Co. .... 24  
 Dairy Equip. Co. .... 24  
 Eversman Manufacturing Co. .... 24  
 F.M.C. Corp. .... 25  
 Farmhand Inc. .... 25  
 Ford (Also see "New Holland") ..... 26  
 GEHL ..... 27  
 Graetz ..... 27  
 Hamby Company ..... 28  
 Hesston ..... 28,29  
 Hesston Plow Co. .... 29  
 Hobbs-Adams Engineering ..... 30  
 Hustler Corp. .... 30  
 International Harvester ..... 30-32  
 John Blue ..... 32  
 John Deere ..... 33-36  
 Johnson Farm Machinery ..... 36  
 Kelley Manufacturing Co. .... 37  
 Kewanee ..... 37  
 Koehring ..... 37,38  
 Krause Plow Corp. .... 38  
 Lilliston Corp. .... 38,39  
 LML Corp. .... 39  
 Lockwood Corp. .... 39,40  
 Long Manufacturing N.C. .... 40

Massey Ferguson ..... 41  
 Meyer Morton ..... 41  
 Monroe-Tuffine ..... 42  
 Mott Corp. .... 42  
 Nelson Irrigation Corp. .... 42  
 New Holland (Also see "Ford") ..... 42, 43  
 Owatonna ..... 44  
 Pittsburgh Forgings Co. .... 44  
 Pounds Motor Co. .... 44  
 Powell Manufacturing Co. .... 45  
 Rainbow Irrigation ..... 45  
 Roll-A-Cone Manufacturing ..... 45  
 Rome Industries ..... 45  
 Rood ..... 45  
 Schuld Manufacturing Co. .... 45  
 Simplicity ..... 46  
 Taylor Implement ..... 46  
 Taylor Machine Works ..... 46  
 Thiokol Chemical Corp. .... 46  
 Tye Company ..... 47  
 Vann Industries, Inc. .... 47  
 Vermeer ..... 47  
 W & A Manufacturing ..... 47  
 Western Land Roller Co. .... 47  
 White Farm Equip., Co. .... 48

**Bearing Manufacturer**

BCA ..... 49-50  
 Don Dye ..... 51  
 Federal ..... 51  
 Linkbelt ..... 52-53  
 MRC ..... 53  
 NDH ..... 54  
 Roberts ..... 55  
 Sealmaster ..... 56  
 SKF ..... 56



## ALLIS CHALMERS

## Combines, Corn Heads, Tractors, Harrows, Planters, Forage Harvesters, Cotton Strippers

Part no.	Fafnir no.	Part no. Fafnir no.	Part no.	Fafnir no.	
1112001	206K	1306661	RA102RRB	559857	1100KL
1113372	RA014RRB	1306662	RA103RRB2	559916	1100KL
1113373	RA100RRB	1306663	1106KRRB	559958	1112KRR
1113837	P204PP	1306664	1108KRRB	561381	P204KRR2
1114839	52MS ZP	1306665	RA114RRB	561381	P204KRNP2 A1296
1114843	1103KRRB3	1308770	RA014RRB	561382	P204RR6 E8728
1115513	9106PP	1308951	RA100RRB	562134	203KRR5
1116581	P210PP	1308984	RA103RRB2	562709	S1104K
1116582	308NPP	1308995	1103KRRB3	565094	GRA100RRB
1117051	P309NPP	1309128	1106KRRB	567799	205P A1665
1117404	P210P	1309835	S1114K	569526	207NPPB5
1117715	P212NPP	2028772	RA012RRB	570884	G52MSA ZP
1118304	P208NP	325335	208KRR4	571020	204RR8 E8728
1120308	209KG	333042-1	202KR2	571049	72MS3 ZP
1122510	1108KRRB	335306	203KR2	573970	204KD
1126056	203KRR6	345016	H203NPP9	575154	205PPB13
1126150	P209NPP	417-07-014	7305W DU	575191	205PP13
1126421	008-10853	507220	207K	575883	W208PPB16
1126422	008-10483	507222	206KD	576996	G1112KRRB4
1126563	1100KRRB	507223	207KD	577159	VFD1
1126733	RA108RRB	522328	S1014K	580733	100MS ZP
1126734	80MS ZP	522329	52MS ZP	583924	G100MSB ZP
1127501	008-10482	525592	203K	583925	G100MSA ZP
1127502	008-10601	527219	S1106K	586143	GW208PPB22 FS544
1130100	RA102RRB	527220	72MS ZP	590610	RA102RR
1130114	010-10731	527221	RA106RRB	590705	GRA102RRB
1130250	RA112RRB	527813	205PP	590706	GRA103RRB2
1130258	85MS ZP	527933	305NPP A1665	590707	GRA104RRB
1131263	206KG	528126	206PP	803974	204PP A1665A
1131687	304W	528306	S1100K	804099	P304NPP A1631
1131910	P208KRR4	528307	RA100RRB	804107	KP8 E7558
1132366	P207KRR3	529042	9108K	804501	P304K
1133728	RA103RRB2	530560	52MST ZP	805050-7	205KD
1134073	P9107PP	530806	RA010RRB	805062	RA109RRB
1134393	9114PP	530811	40MS ZP	805614	KP8 E7742
1135350	P303PP	530812	S1010K	811-003-541	P318K
1135475	207K	531254	RA106RRB	811-009-417	313K
1135477	306KG WIRELOC	531746	5209W E7195	811-009-679	9126K
1135485	309W	532094	203PP	811-033-491	P316K
1135623	008-11515	533638	S1102K	811-033-627	322W
1136941	1112KRR	533734	1107KRR	811-053-027	S1K
1138464	90MS ZP	534438	S1103K3	811-061-359	211W
1138465	RA114RRB	534862	1102KRRB	811-103-135	203KL
1139134	010-10483	534930	RA112RRB	811-103-227	206KL
1141190	309NPPB	534931	S1112K	811-109-193	205KL
1142685	40MS ZP	535969	RA103RRB2	811-117-233	1103KL
1144563	10874	536050	RA103RRB2	811-119-183	MUA <sup>15/16</sup>
1145314	209NP	536147	206KRRB3	811-155-321	209WD
1145578	308NP	536988	204NPP A1665	811-171-167	204KTD
1154722	310NPPB	539157	1112KRRB	811-185-991	KP8
1158140	S3KD	539158	1112KRRB	811-205-065	200KDD
1160100	9113PP	540907	S1108KT5	811-257-079	9101NPP
116581	210PP	540908	RA108RRB2	811-257-105	9102NPP
1166988	RA108RRB	540909	RA108RRB2	811-257-133	9103PP
1170243	1104KRRB	541567	RA102RRB	811-257-135	203NPP
1172939	72MS ZP	541568	RA102RRB	811-257-165	9104PP
1177309	G1104KRRB	542617	203KRR5 E8728	811-257-341	9110PP
1177310	G72MSA2 ZP	542703	G1106KRRB	811-260-135	203NPPG
1177311	G72MSB ZP	542704	RCJ 1 <sup>3/8</sup>	811-279-061	9100NPP
1179458	211NPP	544169	RAK 1 <sup>1/16</sup> BP11594	811-281-043	38PP2
1179922	GRA103RRB2	544174	G1106KRRB	811-295-219	1102KLL
1192243	72MSTR ZP	544175	G1111KRRB FS160	811-361-00	DP8A4
1197194	207KRRB9	545862	GVFD 1 <sup>1/8</sup>	811-423-323	7309W SU
1302496	206KR7	547444	RA107RRB	811-427-553	7219PW BR DU (200#)
1302860	RA103RRB2	547658	S1108KT	811-429-577	7320PW BR DU (1500#)
1306655	RA014RRB	548576	RA108RRB	811-453-065	5200K
1306656	RA100RRB	548578	RCJ 1	811-453-193	5207W (or 5207K)
1306657	1100KRRB	555874	1104KRRB	811-453-575	5220W BR
1306659	1104KRRB	555875X	1104KRRB	811-455-385	5212W
1306660	1103KRRB3	555876	S1104K	811-493-167	5204KD

**ALLIS CHALMERS (continued)**

**Combines, Corn Heads, Tractors, Harrows, Planters, Forage Harvesters, Cotton Strippers**

Part no.	Fafnir no.	Part no.	Fafnir no.	Part no.	Fafnir no.
811-498-060	DPP6	825916 or 827236	203KRR2 E8728	90577159	VFD 1
811-498-124	DPP10	827204	207KRR3 FS282	97088	306KG Less Snap Ring
811-579-191	DPP8	90000116	100MS ZP		
811-579-315	315KS	901130114	010-10731		
821197	207KRR3	90533636	62MS ZP		
		9053694	008-10853		

**AMCO PRODUCTS PORTABLE ELEVATOR DIV.**

**Disk Harrows, Ditchers, Levee Plows**

Part no.	Fafnir no.	Part no.	Fafnir no.	Part no.	Fafnir no.
10218	W214PP2	EMC240214	GW214PP2	G10906	GW211PPB3
10271	W210PP3	G10212	GW208PPB5	G11071	GW211PP3
10272	W208PPB5	G10218	GW214PP2	G11078	GW210PP4
10315	W315P2 DB	G10271	GW210PP3		
11078	W210PP4	G10732	GW214PPB2		
11079	W208PPB6	G10771	GW210PPB2		

**ARTS WAY MANUFACTURING**

**Grain Mixer Mills, Varied Farm Implements**

Part no.	Fafnir no.	Part no.	Fafnir no.	Part no.	Fafnir no.
01-0855	RASC 1 3/4	301-00858	47MST ZP	301-1393	RA110RR
01-1045	RASC 1	301-01231	RA100RRB	301-2023	C1102KRRB
01-1063	RFC 1	301-02010	C1102KRRB	301-2037	C1104KRR
01-1230	S1100K	301-10442	RCJC 1 5/8	301-3509	RASC 1 1/4 S
01-1231	RA100RRB	301-10885-0	C1102KRRB	327-05413	008-10482
01-1342	RASC 2	301-12193	RA110RRB	337-01384-0	008-6015S
01-1367	RASC 1 7/16	301-12195	85MS ZP	401-07357	RA014RRB
01-1394	S1110K	301-12443-0	62MSTR ZP	401-07359	206PP
01-1396	RASC 1 5/8	301-12444-0	52MST ZP	427-05412	008-10601
01-2168	RA012RRB	301-12445-0	52MSTR ZP	478037	GRA108RRB
01-3509	RASC 1 1/4 S	301-12446-0	62MST ZP	488454R1	G80MSA4 ZP
10885-0	C1102KRRB	301-12924	RA100RR	557115R11	S1102K Col
11255-0	C207	301-1342	RASC 2	939460R91	G62MSA5 ZP
20334-0	203KRR5	301-13789	GRFD 1 3/4	A5446	010-5017S
27-3824	008-10601				

**ATHENS PLOW**

**Disc Harrows and Tillage Equipment**

Part no.	Fafnir no.	Part no.	Fafnir no.	Part no.	Fafnir no.
17992	G80MSA ZP	204RR7	204RR7	GW214PPB-4	GW214PPB4
17993	G80MSB ZP	GW208PPB-5	GW208PPB5	W208PP-5	W208PP5
18514	G100MSA2 ZP	GW211 PP-3	GW211PP3	W208PPB-6	W208PPB6
18515	G100MSB2 ZP	GW211 PPB-3	GW211PPB3		

## AVCO NEW IDEA

## Harvesting Equipment

Part no.	Fafnir no.	Part no.	Fafnir no.	Part no.	Fafnir no.
010033	RA104RRB	012706	S1203K	7000242	203KRR3
010060	62MST2 ZP	012729	RAK 1 3/4	714212	008-11515
010181	RA014RRB	012731	RAK 1 1/2	714246	1108KRRB
010189	S1104K	012753	204RR6	715928	010-10853
010310	G1112KRRB	012773	J206PP	716378	52MSTU B/P 10772
010311	S1112K	012901	1100KRR	716444	GVFDR 1 3/4 B/P12040
010473	J203PP	012902	1103KRRB3	742143	VCJ 1 3/4
010493	J203KRR2	012979	G1106KPPB2	7501260	J207KRR FS282
010561	52MS2 ZP	012984	G62MSA ZP	7502517	RA108RRB2
010563	1101KRRB	012985	G62MSB ZP	7502518	S1108 KT5
010564	S1101K	012986	G2MS2 ZP	764952	RCJ 2 11/16
010830	207KRNPB13	012987	GRA103RRB2	F243029	G80MSB ZP
010857	1104KRRB	014725	G62MSA5 ZP	F7501260	207KRR FS282
010864	209KLLB	014937	G85MSA ZP	H488454RI	G80MSB4 ZP
010970	G1108KRRB	014938	G80MSA2 ZP	H6679251191	203KRR3
011123	206W	014986	G1115KRRB	K2282	1105KRRB
011194	VFD 1 1/2	014987	S1115K	K2578	62MS ZP
011358	40MS ZP	015078	G62MSB5 ZP	K2579	52MS ZP
011359	S1010K	015105	311K	K2751	RA103RRB2
011360	RA010RRB	015176	209NPP	K2752	RA100RRB
011407	1100KRRB6	01554	52B base	K2753	RA100RR
011483	209K	01554PM	52B Base	K2809	S1100K
011486	206KG	01555	52T Top strap	K2810	S1103K3
011489	205KG	01555PM	52T Top Strap	K2999A	206PP
011543	G1104KPPB2	015637	GRA112RRB	K3099	72MS ZP
011668	J204PP	015735	GRA200RRB	K3300	RA014RR
011803	9109PP	015736	S1200K	K3301	S1014K
012007	1014KPPB3	015846	G62MSA ZP	K3330	207KRR3
012217	72MS2 ZP	015892	N108KRRB	K3352	P205PP
012272	52MSTU ZP	015894	RAE40RRB	K3501	RA102RRB
012320	9111PP	015906	008-1060Pulley	K3518	S1102K
012340	1112KRRB	015955	GRA115RRB	K3538	RA103RR2
012345	202PP	016029	G62MSB3 ZP	K3565	RA012RRB
012365	212NP FS264C	102959	307PP FS50000	K3566	S1012K
012369	204P	106801	205KR3	K3567	47MS ZP
012375	RCJ 1 1/2 B/P 11858	108039	207KRR	K3704	205K
012395	210K	133581	208KP2	K3787	208KRR4
012402	9117K	175082	1102KRRB	K3867	P203NPP8
012418	85MS ZP	175802	RCJTC 1	K3998	RA106RRB
012427	RCJ 1 3/4 B/P 12328	208693	62PBS SNGL	K3999	S1106K
012562	208NP FS264A	220144	B/P 10871	K4037	1106KRRB
012564	206KG	240953	RA108NPPB2 S1108KT5	K4654	206K
012568	207K	243030	GRA108RRB	K4727	KS10 FS160
012628	G1101KRRB	243031	G80MSA2 ZP	K4962	RA108RRB
012640	G1106KRRB	270135	RCJ 1 1/2 B/P 11858	K4963	S1108KT
012676	310K	270823	RCJ 1 15/16 B/P 12329	K5008	52MS3 ZP
012682	47MSTR ZP	290236	G80MSA ZP	K5032	62MS3 ZP
012703	RCJ 2 3/16	290237	G80MSB ZP		
012705	G1203KRRB	600673	S5K		

## BINGHAM BROTHERS

## Disc Bedder, Red Weeder, Soil conditioner, Cultipactor, Scratcher and Coulter

Part no.	Fafnir no.	Part no.	Fafnir no.	Part no.	Fafnir no.
101	RA014RRB	GA15	W208PP5	SC4B	GRA115RRB
CP16	VCJ2	RW109	W208PPBG	SC5B	GRA115RRB2
CP16B	GRA200RRB	SC4	VAK 1 15/16		

**BLACKWELDERS**

**Tomato Harvesters**

Part no.	Fafnir no.	Part no.	Fafnir no.	Part no.	Fafnir no.
202-106-215	G1112KRR	202-1815-215	G1103KPPB4	202-720-230	TCJT 1 ¼
202-1093-215	G1103KRRB3	202-1817-215	G1104KPPB2	202-737-230	RCJT 1 7/16
202-1099-215	G1104KRRB	202-1841-215	G1108KPPB3	202-738-230	TCJT 1 7/16
202-1122-215	G1108KRRB	202-1889-215	G1200KPPB4	202-74-215	G1104KRR
202-1128-215	G1109KRRB	202-1923-215	205PP	202-750-215	G1100KPPB
202-1164-215	G1115KRRB	202-1937-215	203KRR2	202-751-215	G1100KPPB3
202-117-215	G1107KRRB	202-1942-215	203KRR6	202-87-230	TJC 1 ¼
202-1194-215	G1204KRRB	202-1952-215	S10P	202-870-230	GTFD 1
202-121-230	RCJ 1 9/16	202-1955-215	KP12A	202-88-230	TCJ 1 ¼ FS239
202-1278-215	1012KRRB	202-1957-215	KP16A	206-14-380	52MS ZP
202-1296-215	1100KRRB	202-2437-215	1100KP3	206-28-380	G80MSA3 ZP
202-1452-215	RA100RRB	202-296-230	RAK1	206-35-380	52MSTR ZP
202-1476-215	RA103RRB2	202-297-230	PB1	206-36-380	52MSTR ZP
202-1621-215	1100KRR	202-298-230	TAK1	206-46-380	52MST ZP
202-163-230	RCJ 1 15/16	202-299-230	PBC 1	206-55-380	G100MSB ZP
202-1640-215	1103KRR3	202-324-230	RAK 1 ¼	206-9-380	G100MSA ZP
202-1641-215	1104KRR	202-325-230	TAK 1 ¼	216-2-860	010-10483
202-1665-215	1108KRR	202-345-230	RAK 1 7/16	216-3-860	010-10601
202-1791-215	G1100KPPB3	202-352-230	RAK 1	216-4-860	010-10650
202-1791-215	1100KPPB3	202-696-230	TCJT 1		

**BLANTON PLOW**

**Disc Harrows, Chisel plows, Misc. Tillage Equipment**

Part no.	Fafnir no.	Part no.	Fafnir no.	Part no.	Fafnir no.
1023	W208PPB12	7129	W208PP5	L-512-B	W208PPB11
3000-T	GW211 PP3	B-75	204RR7 E8728		

**BRINLY-HARDY**

**Garden Tillage Equipment**

Part no.	Fafnir no.	Part no.	Fafnir no.	Part no.	Fafnir no.
AM30331	008-10641	JD-9217	RA012RRB	V139	S1012K
B-1243	62MS3 ZP	JD-9218	S1012K	V178	RAL100NPPB
B-1244	RA103RRB2	JD-9242	RA012RR	V179	LS100K
D198	RA100RR	JD-9274	1103KRRB3	V180	47MS ZP
E10721E	62MS2 ZP	V-1043	RA100RRB	V192	1103KRRB3
H29532H	47MS ZP	V-1045	52MS ZP	V193	S1103K3
JD-8544	S1103K3	V-1046	1108KRRB	V194	62MS2 ZP
JD-8548	RA103RRB2	V-1048	80MS ZP	W12243W	47MST ZP
JD-8597	RA100RR	V137	RA012RR		

**BURCH, INC.**

**Harrows, Planters, Cultivating Machinery**

Part no.	Fafnir no.	Part no.	Fafnir no.	Part no.	Fafnir no.
103-17	HRA100RR	203-214	GW211PPB3	600-118	H1103KRRB3
103-18	S1100K	203-214X	B/P11567A	600-119	S1103K3
105-367	9104PP	204-82	W210PPB6	710-29	62MS ZP
107-166	RAL100NPPB	204-83	90MS ZP	J3772A	H1100KRR2
107-167	47LSTR	207-66	W214PP2	J9372X	B/P10817
107-168	LS100K	208-12	GW209PPB2	J9373	W208PPB5
114-165	9105PP	208-13	G85MSA3 ZP	J9554	208KP3
120A-70	S1014K	208-14	G85MSB ZP	J9554A	W208PP5
20A-56	W208PPB13	402-141	207KRR		
20A-57	80MS ZP	600-104	1014KRR		

**BUSH HOG****Disc Harrows, Rotary Cutters, Sprayers**

Part no.	Fafnir no.	Part no.	Fafnir no.	Part no.	Fafnir no.
12660	010-10482	14-5-109	W210PPB2	53099	GW214PP2
12661	010-10601	14-50-5	GW210PP9	7-42-119	010-10874
14-22-63	W208PPB6 FS544	14-6-168	W211PPB2	7141	010-10853
14-22-65	80MS ZP	14-6-244	GW211PP2	78	RAKMM 1 3/8
14-24-16	W208PPB12	14-6-430	GW211PP3	920	203KRR2
14-36-183	GW208PP17	16-1-176	W208PP5		
14-4-5	W209PPB2	403	G1106KRRB		

**BUSH HOG – STAN HOIST****Disc Plow, Flail Harvesters, Grain Augers, Elevators**

Part no.	Fafnir no.	Part no.	Fafnir no.	Part no.	Fafnir no.
0108030201	RAL100NPPB	0108040602	S1100K	4700042613	RA100RR
0108030203	204RR6	0108040603	62MS ZP	4700050094	RA103RRB2
0108030407	VAS 1 1/4	0108040604	52MS ZP	4700050116	S1103K3
0108030409	RCJ 1 1/4	0108040606	S1103K	4725130298	RCJ 1 3/4 B/P 11970A
010803205	RA100RRB	14-50-5	GW210PP9	4725L10356	203KRR2
0108040601	47LSTR	14-6-244	GW211PP2	53099	GW214PP2

**BUTLER MANUFACTURING****Silo Unloaders, Cattle Feeders, Barn Cleaners**

Part no.	Fafnir no.	Part no.	Fafnir no.	Part no.	Fafnir no.
PA 1628	RPB 1	PU 891	52MS ZP	PU 948	S1104K
PU 298	VAS 1	PU 892	RA100RRB	PU 949	72MS ZP
PU 533	PB 1 1/4	PU 893	S1103K3		
PU 595	203PP	PU 894	62MS ZP		
PU 646	VAS 1 1/4 S	PU 895	RA103RRB2		
PU 890	S1100K	PU 947	RA104RRB		

**BUTLER MANUFACTURING – OSWALT DIVISION****Mixers and Grinders**

Part no.	Fafnir no.	Part no.	Fafnir no.	Part no.	Fafnir no.
20242	RA104RRB	30802	G72MSA ZP	831358	008-10482
20252	RA010RRB	30803	G72MSB ZP	PF 226	VFMST 1 1/4 S
20261	RCJ 2 3/16	31175	72MS ZP	PU 1224	G72MSA2 ZP
20435	RA103RRB2	31177	52MS ZP	PU 1225	G72MSB ZP
20762	GRA104RRB	31341	62MS ZP	PU 1226	G1106KPPB2
20922	1107KRRB	31693	40MS ZP	PU 1243	S1106K
20923	G1107KRRB	33318	010-10601	PU 1245	GRA10RRB
20924	G1111KRRB	820244	RA100RR	PU 1246	G52MSA ZP
20925	G1115KRRB	820922	G1104KRRB	PU 1247	G52MSB ZP
20926	G1203KRRB	830802	G72MSA ZP	PU 1248	GRA104RRB
30345	52MST ZP	830803	G72MSB ZP		

**CASE CORPORATION**

**Full Line of Farm Equipment**

Part no.	Fafnir no.	Part no.	Fafnir no.	Part no.	Fafnir no.
0105	210WDN	17419	9113K	581185R91	P204PP
010558 AB	203PP	179665C91	209KRRB2	587015R92	RA104RR
010778 AB	210KDG FS153	187241C91	RA110RRB	597537R91	1108KR
010874 AB	P9108KDD FS282	189515C91	RCJ1 5/8 B/P11601	60404	RA014RRB
01378 CE	209K	192471C92	RA103RR2 E9695	611583R91	1106KRRB
01550 AB1	206WD	1925 CSA	G1108KRRB	619738R91	1103KRRB3
01983 HT	5202K	193282C91	G1200KRRB	658089R91	P206P
02090 FH	G1114KRRB	195293C91	205KRRB2	662519R91	208KRR4
03013 TSI	209KD	201118C91	P9113PP A1228	664175R92	RA108RRB
03072 BA	1103KR3	203389C91	206KPP3	664597R91	GN108KRRB
03073 BA	G1106KRRB	211587C91	206KRRB6	666624R91	203RR2
03074 CSA	RA100RRB	21219	209WG	667925R91	203RR2
030879 HT	L205	21220	207WG FS153	668719R92	RA112RRB
03163 CS	206NPP	214366C91	RA100RRB	669807R91	205KR3
03203 CK	S1102K	21972	62MS2 ZP	698032R1	212K
03337	203KLD	221665C91	GRFTDR1 1/4 S	73153	205PP
03343N	206NPP2	223826C91	207KRR	753103	9107K
03784 CS	1100KLLB	240745A1	RCJ2	810700	RA012RRB
03788 CS	1102KRRB	240746A1	GN106KRRB	936133R91	1108KRR
03994E	72MS ZP	2419 CHA	RA103RRB2	939475R92	GRA102RRB
04055 CS	1108KLB	241929A2	RCJ2 A4326	A11065	9112KD
04083 AB	5206WD	2439 CHA	SM1103KB3	A11919	308K DGN FS153
04233 C5	S1014K	2478 CSA	1108KRB	A136775	5311W BR
04509 TF	1103KLLB	2480 CSA	1100KLLB	A136775	5311W BR
045248	S1106K	2481 CSA	1102KRRB	A17910	9108KG
04528	G1106KRRB	279250A1	B/P 12875	A20206	P210K
04732 TF	208KD	2950 CSA	1014KLLB	A20291	212K
050044	9108K	295109R91	P205PP	A21045	204P
05258 AB	205KL	313 CBA	1103KLLB3	A21266	211K FS50000
0560 CB	62MS ZP	38742	9107PP	A26392	305W
05835 AB	204KD	39337	206KG FS153	A26537	307W
05903 AB	204K	40000	205KD	A26581	207W
06006 AB	521W	40001	307KD	A27127	206KL
0632 CH	52MS ZP	40002	309K	A27152	304KR2
06575 AB	204NPP7	40003	311K FS50000	A28237	9107KD
06945 AB	P206KL	40004	215K	A29183	207K
0697 CB	S1103K3	40008	203K	A30128	204KLD
07086 AB	204KR2	40009	204PP	A31065	5211W
07285A	205K	40011	307K FS50000	A31127	210W
07286A	208W	40016	310K	A31209	210KDG FS153
07609 AB	5209W	40025	9107K	A33537	9111KG FS153
0779ABX	304W	40027	9110KG FS153	A40165	308NP
07920A	209KD	40031	207WG FS153	A50037	207WG FS153
0799	52MS ZP	40035	308K FS50000	A50462	9111K
0884 CB	G1104KRRB	40039	215W FS153	A50464	9110KG FS153
0885 CB	S1104K	40040	P206K	A54073	9113K
09125 CH	SN108K	401 CBA	G1104KLLB	A55664	9109PP
09435 AB	204KL	40200	5206W	A58080	P9109KG FS153
0951AB	5212WG FS153	40201	5207K	A58098	310KG
10108K	205PP3	40704	G1112KRRB	A58216	9114KG FS153
1047 FHA	G1114KRRB	438 CUA	1103KRRB3	A62965	9100NPP
10527	202KDD	455111R1	G1108KRRB	A63109	9109KG FS153
10803K	206P	455111R91	G1108KRRB	A70280	P204KRNP2,P204RR6
1260257C1	GRFTD1 3/8	455959R92	RA102RRB	A7401	211KDD
1260257C91	GRFTD1 3/8	455960 R92	RA102RRB	A8668	207KD
1263058C91	GRFTD1 3/8 B/P12520	455960R92	RA102RRB	A8669	P207WD FS153
1268017C91	204PY2	465004R91	203PP FS50387K	B10494	RA012RRB
1322228C91	E40KRR	468390R92	RA010RRB	B10495	S1012K
13360	47MST ZP	473093R92	GRA106RRB	B18215	208K FS50000
13361	RA012RRB	482303R92	GRA100RRB	B18282	52MS ZP
13362	51012K	483350R91	G1110KRRB	B18329	S1104K
1345468 C1	YA100RR	485259R91	1104KRRB	B598971R91	203PP FS50387K
13644	G85MSB ZP	524598R91	P304PP	B91455	203PP FS50387K
1443 CKA	RA102RRB	53809	207KRRB9	C1 405	RAL103NPPB2
149261C91	BB203RR2 A3212	541857 R92	010 6015S	C10405	RA104RR
156011C92	GRA103RRB2	565672R92	RA104RRB	C10463	10874
156816C91	207KRRB12	566632R92	RA103RR	C14419	RAL012NPPB

## CASE CORPORATION (Continued)

## Full Line of Farm Equipment

Part no.	Fafnir no.	Part no.	Fafnir no.	Part no.	Fafnir no.
C14420	42LSTR ZP	F52873	010 10601	FB10496	47MS ZP
C14504	55LSTR ZP	F53346	RA100RRB	FH05041	RA112RRB
C15385	RAL010NPPB	F53347	RAL014NPPB	FH050435	LCJ 1 1/2
C15386	35LST	F53578	206KRRB3	FH050450	DSP8
C15514	42LST	F53658	1100KRR	FH050468	RA108RRB
C16739	006-11581A Pulley	F54559	62MSTR ZP	FH050500	9110PP
D4511	72MS ZP	F54637	1103KRR3	FH050509	62MS3 ZP
D45171	RFC 3/4 W/1688Fitting	F54638	1102KRR	FH050518	205KR3
D45770	W205PP	F54694	GRFD 1/8	FH050567	52MS2 ZP
D45773	W310PP	F54882	1110KRRB	FH050575	80MS ZP
D46981	215W	F54883	80MS ZP	FH050583	85MS ZP
D48832	308KG FS153	F5677	9114PP	FH051318	RA112RRB
D50044	9108K	F59131	S1112K	FH051540	1012KRR FS219
D51316	RA106RRB	F60616	203KRR6	FH053538	008-10853
D53312	310PP	F60913	B/P 10871	FH054072	008 10731
D53834	P9115K	F62101	304K	FH054510	008 11515
D55533	RCJN1 1/4	F62107	S1108KT	FH087973	010-11535
D57237	72MS5 ZP	F62108	S1100K	FH12398	205P
F299	G80MSB ZP	F62198	207KRR3	FH12539	N108KRRB
F10014	80MS ZP	F62200	P206NPP	FH50353	008 10482
F10265	P208NP	F622239	RA103RRB2	FH51326	9111PP
F10753	P207KRR FS282	F62225	62MS ZP	FH53553	008 10482
F10898	P212KRR E8082	F62226	S1103K3	FH710038	RA107RRB
F10898	P212KRR	F62233	RA102RRB	FH710251	206KRR2
F10991	80MS ZP	F6443	SM1108KT	FH71051	R206KRR4
F11294	1103KRR FS282	F6444	1108KL	FH710574	RA103RR2
F11506	207KRR3	F65663	G1110KRRB	FH710582	RCJT 1 3/16
F11543	62MS3 ZP	F6634	S1102K	FH710665	39KTT
F11839	1104KRRB	F710632	RA010RRB	FH711382	R207KRR3
F12416	1103KR3 E8806	F7293	203KRR6	FH711432	G1103KRRB3
F12423	1106KRRB FS282	F7481	1103KRRB	FH711457	G1107KRRB
F12587	G80MSB ZP	F75846	1105KRRB	FH711465	G1103KRRB
F12588	G80MSA2 ZP	F76023	SM1108KT	FH711481	G62MSA ZP
F12596	G72MSB ZP	F76024	1108KL	FH711606	GRSD 1 3/16
F12600	G80MSA2 ZP	F7637	P212NPP	FH711630	GRA107RRB
F12630	62MST ZP	F77924	1108KRRB	FH712083	312NPP
F12986	210P FS50000	F80073	010 10731	FH712158	RA200RRB
F13360	47MST ZP	F8025	208NPP	FS1085	1103KRRB3
F1339 FH	S1114K	F80295	008 10927	FS54720	G1100KRRB
F13526	40MST ZP	F82057	1100KRRB	G10416	306KG FS153
F13645	G85MSA3 ZP	F82059	RA108RR	G10417	9111KG FS153
F13646	G1110KRRB	F82927	1102KRRB	G10418	9110K
F13691	S1110K	F84032	G1108KRRB	G10623	203KD
F14808	9113PP	F8428	RAK 1 3/8	G10624	206KDD
F15073	206PD	F86109	RCJ 1 1/4	G12597	G72MSA2 ZP
F15783	1100KRRB	F86214	G1104KRRB	G13075	9109K
F15952	1106KRRB	F86218	1103KRR3 FS282	G13606	208KG FS153
F16246	203KRR2	F86298	1104KRRB	G13607	210KG FS153
F17870	RA108RR	F86516	1103KR3 E8806	G13608	P5304K
F18529	1102KRRB	F86574	1106KRRB FS282	G13611	207NP3
F19270	62MS3 ZP	F86674	1106KRRB FS282	G13612	5207W
F19545	205PP3	F87826	G1110KRRB	G6865	9112PP
F20543	210KRR	F88561	RCJM 1 3/4 B/P11315	GH051193	72MS2 ZP
F21025	G1108KRRB	F8890	305NP	GH313429	RCJ 1 1/2 B/P 11400
F21026	G80MSB ZP	F88908	1103KRRB	H437557	210KRR
F21027	G80MSA2 ZP	F89038	G1112KRRB	H747071	52MS ZP
F22150	52MS6 ZP	F8943	1108KRR6	H747139	W208PP20
F22911	G80MSA ZP	F8944	80MS ZP	H747170	W211PPB2
F36346	G1106KRRB	F90306	RA014RRB	H747188	62MS ZP
F36991	RA103RR2	F90485	RA106RRB	H747303	W208PP10
F37033	RA102RRB	F92745	1 1/8 B/P 11891	H747386	010-6015S
F40433	210PP	F93052	1 1/4 B/P 11984	H747386	010-6015S
F40936	RA102RR	F93053	1 1/4 B/P 11985	H747394	W211PP2
F40948	RA100RR	F9417	52MST ZP	H747410	W209PPB2
F40984	RA012RR	F9623	1108KRR	H747436	012 8012S
F41830	G1112KRRB FS385	F96571	RCJO 1 1/2	H747477	306P FS50000
F50848	RA106RRB	F9747	205KG FS153	H747485	202KRR2
F51321	RA101RRB	F9748	212KG FS153	H752501	206W
F51571	008 10601	F9812	213K	H753095	308W

**CASE CORPORATION (Continued)**

**Full Line of Farm Equipment**

Part no.	Fafnir no.	Part no.	Fafnir no.	Part no.	Fafnir no.
H753103	9107K	S865	205KR3	T36095	010 10853
H753194	208W	ST287	P304K	T36440	204PP
H757328	212NPP FS50000	T10662	S1012K	T36497	52MS2 ZP
H757708	RA100RRB	T10662A	S1012K	T36576	RA102RRB
H757807	9106PP	T11997	RAK ¾	T36576	RA102RRB
H757807	9106PP	T13363	203KDD	T36587	62MST ZP
H759092	GYA200RRB	T15820	W208PPB6 FS219	T36900	VFD 1
H759130	P204PP	T15821	80MS ZP	T37331	203KDD
K3004	RM1115K E8370	T16086	72MS ZP	T37516	G1010KRRB
K3315	RA104RRB	T16288	208K2 E7438	T39594	P204RR6
K3380	1008KRRB	T16289	W208K3	T41956	P38KD FS50000
K4334	RA100R	T17259	206NPP	T50363	W210PP8
K4335	W202PP	T17277	72MS ZP	T50563	W210PP8
K5310	9118K	T17389	9106K	T51610	GW211PPB3 FS544
K5311	9121K	T17390	9106P	T51653	GW211PP3
L30481	9107K	T18562	203NPP9	T51748	W209PPB10
L52526	307NPP	T18852	1106KRRB	T53781	GW210PPB2
MT20415	5204K	T18859	RCJ 1 ½	T54897	GW210PPB5
N3382	RA103RRB	T20623	203KRR2	T57851	GW209PPB4
N3383	RA103RRB	T21210	1106KRRB	TD4508	1107KLLB
N3384	S1103K	T22243	1108KRR	TD4509	1107KLLB
N4228	LAK 1 ½	T25088	P9111K	TD4510	S1107K
N4256	LAK 1	T25346	1107KRRB	W12243-W	47MST ZP
N4651	P205PP	T25486	W208PPB8	X12 1225 A	G62MSB ZP
N4652	205PD	T26339	208KP2	X12A 1196A	008 10731
N4721	010 10483	T27207	72MS2 ZP	X12A 1226A	G62MSA ZP
N4851	010 10482	T27496	206KRR4	X3454 A	G1012KRR
N5266	204KTD	T28259	52MSTR ZP	X4333	52MS3 ZP
N5445	PBC 1 ¼	T28503	W208PPB12 FS544	XA73158	210K
R036380	RA012RRB	T32178	203KRRS	XA79852	9102P
R046666	RA010RRB	T32186	206NPD	XB3465 A	RA010RRB
R29093	306WG FS153	T33150	GRA102RRB	XB3466 A	40MST ZP
R32289	213W	T33151	G62MSB ZP	XB3467 A	S1010K
R32301	311W	T33152	G62MSA ZP	XC 13703A	210P
R36379	RA103RRB2	T34063	205KDD	XH3831	G62MSB ZP
R36380	RA012RRB	T34178	W209PPB10	XH3832	G62MSA ZP
R46666	RA010RRB	T34898	RAK 5/8	XH3882	010 10853
R46666	S1010K	T35506	GVFDR 1 1/8	XH4241	GRA103RRB2
S075233	213NPP	T35597	G72MSB ZP	XM12786	1103KRRB3
S64312	9107KG FS153	T35598	G72MSA ZP	XM2896	206KRR4
S65365	72MST ZP	T36092	FLCT 1		

**CLARK EQUIPMENT COMPANY**

**Skid Control Loaders, Varied Farm Implements**

Part no.	Fafnir no.	Part no.	Fafnir no.	Part no.	Fafnir no.
010102	VFTDR 1	6515097	9112PP	6519164	47LSTR
116-66	52MSTR ZP	6515098	RA107RRB	6519174	RALT 7/8
6423085	010-10853	6515103	RA014RRB	6519831	W208PPB6
6509275	1104KRXB	6515106	S1104K	6519848	S5PP
651-0844	P204RR6	6515111	52MST ZP	6522422	W208PPB2
6510628	W211PP3	6515547	PBS 7/8	6522423	80MS ZP
6510839	204KRNPG	6515548	PB 7/8	6523077	006-11581
6510841	9109PP	6515549	010-10601	6528661	RA100RRB
6510843-B1231	W208PP5	6515550	010-10842	658927	307NPP
6510845	RCJ 1	6515551	72MS5 ZP	6599435	72MST ZP
6510850-B1218	204KRNPG	6517957	W211PPB2	6599441	72MSTR ZP
65108539	204KRD4	6518122	RCJTC ¾	675181	203KD
6511646	RFDR 1 1/8	6518126	RA012RRB	710749	208K
6512290	010-4018S	6518127	S1012K	784950-131223	203NPP
6512778	1107RRB	6518128	47MST ZP	850294	203K
6512791	S1107K	6518258	RCJT 7/8	853189	206K
6515095	S1014K	6518862	1104 KRXB	902609-7	KP49B FS160
6515096	52MSTR ZP	6519163	LS014K	X5D17900	208NP



**CLARKE-GRAVELY CORPORATION****Medium and Small Sized Tractors, Lawn Garden Equipment**

Part no.	Fafnir no.	Part no.	Fafnir no.	Part no.	Fafnir no.
12409	FLCT ¾	13597	205P	19072	205PPG
12493	9106PP	17915	9110K	19271	RAT 1
12494	206K	17967	9107KG	19741	RAL100NPP
12517	205KTT	17984	207K	20288	203K
12626	202K	18029	S12K	20428	P208NPP A2513
12984	305K	18042	P208PPG A2513	20474	208KG
13464	206NPP	18873	W208PP10	5139	38KVL
13560	206NP	18879	206NPP		

**COLE MANUFACTURING COMPANY****Planters**

Part no.	Fafnir no.	Part no.	Fafnir no.	Part no.	Fafnir no.
88506CP	H206KRP2 A1391	88506CP	RA012RRB	Z-98504-A-16	203NPP9
88506CP	B/P 11838 ¾ bracket	88506CP	BB203KRR5	Z-98504-A-16	RA014RRB
88506CP	47MST ZP	Z-98504-A-16	204KRN5	Z-98504-A-16	52MST ZP

**CRISAFULLI PUMP**

Part no.	Fafnir no.	Part no.	Fafnir no.	Part no.	Fafnir no.
2372249	GW2114PP 2	3444050	RCJ 1 ½	3850120	G1108KPPB3
3031800	VAK ¾	3452250	TCJ 1 ½	3850820	G1108KRRB
3058650	VAS ¾	3452450	TCJT 1 ½	3874460	G1200KPPB4
3058725	VCJT ¾	3585220	RAKH 2	3874730	G1200KRRB
3139850	RAKH 1 RCJT 1 ½	3586550	RCJ 2	3884000	C1207 KRRB
3150050	RCJT 1	3589860	TCJ 2	3891960	S1012K
3170450	TCJT 1	3634650	RCJ 2 7/16	3892340	S1108KT
3441050	RAKH 1 ½	3660910	RCJ 2 15/16	RCJT 1 ½	RCJT 1 ½
3443050	RCJ 1 ½	3661660	RCJO 2 15/16		

**DAIRY EQUIPMENT COMPANY****Dairy Milking Machines, Milk Pumps**

Part no.	Fafnir no.	Part no.	Fafnir no.	Part no.	Fafnir no.
8519821	J206PP	8519846	206KDD		

**EVERSMAN MANUFACTURING COMPANY****Beet Thinners, Power Tillers, Disc Harrows**

Part no.	Fafnir no.	Part no.	Fafnir no.	Part no.	Fafnir no.
155008	RA104RRB	261760	80MS ZP	531548	S1012K
155009	RA104RRB	266740	W208PPB12	531788	RA103RRB2
155009	S1104K	266750	87MS ZP	531790	62MST ZP
155011	010-10601	282132	72MS ZP	531792	205KRRB2
155061	010-10482	282439	203KRR5	531793	52MST ZP
155133	G72MSA ZP	53145	200KLL3	53189	S1103K3
155134	G72MSB ZP	53147	RA012RR	EMC 240214	W214PP2
15535	G1106KPPB2	531545	200KRR3		
261750	W208PPB5	531547	RA012RR		

**F.M.C. CORPORATION**

**Bean/Pea/Tomato Harvesters, Tree Shakers, Combines, Harrows, Elevators, Canning Equipment, Food Processing Equipment**

Part no.	Fafnir no.	Part no.	Fafnir no.	Part no.	Fafnir no.
10110	RAK 1 1/2	15626	90MS ZP	2366623	NLTU 1
10861444	RCJT 1 A2485	15674	308NP	2366705	GVFTDR1
10863322	RA012RRB FS450P	15675	308K	2367068	RC 1 1/4
10865530	VASN 1 1/4 B/P 12414	17026	208NPP	2367125	1100KRR
1104444	206W	17294	1207KRRB	2367453	GRFTDR 1 1/4
113015	RTU 1 1/4	2-022-900	010-11451	2368215	G1100KRRB
1185064	P203PP FS50000	2-022-901	010-11535	2368366	TAS 1
1207274	RAK 1 15/16	2-022-902	010-11536	2368367	G1100KPPB3
1220659	RAK 1 7/16	2-022-954	010-10601	2368619	TAS 1 1/4
1226243	RAK 1 3/4	2-030-211	W308PP	2368620	G1104KPPB2
125091	TAK 1 15/16	2-046-109	010-10874	2368724	G52MSA ZP
126066	1100KRRB	2-120-510	G1115KRRB	2368725	G52MSB ZP
126068	W209PP5	2-120-544	RFC 1 1/4	2368967	NLTU 1
126069	G1010KRR	2-120-741	G52MSA ZP	2368968	RTU 1
126090	G1104KRRB	2-120-742	G52MSB ZP	2369086	RCJT 1
126091	G1107KRRB	2-120-804	203KRR2	243270	1" B/P 11696
126092	G1103KRRB3	2-120-805	S5KDD	3514506	RA100RR
126095	G1112KRR	2-120-809	9108PPG	39358	308W
126115	203KRR2 E8728	2-120-810	9108P	402X214	214WDD
126120	1010KRR	2-120-811	206P	494223	010-11536
15147	RA101RR	2-120-819	307NPP	51482	52MSTU ZP
15148	W208PP10	2-120-823	7206W	5255803	205PP10
15269	RAK 1 3/8	2-120-827	206PP	5428131	2MM9105WOP DUL
15271	G1106KRRB	2-120-839	308P	56979	S1KDD7 FS171
15272	S1106K Col	2-120-841	208NP	5750300	RCJ 1 11/16
15406	208K	2-120-844	203KS	5750364	G1100KRR
15501	GRFD 1 1/2	2-120-858	206W	5750571	GRFTD 5/8
15505	GRFD 1 1/8	2-120-883	217W	700544	215W
15507	G1102KRRB	2-122-958	010-10482	710212	9107K
15549	207K	2-210-805	S7KD	713431/CAXX8.5	9107 PP
15556	306K	2-260-814	203KRR5	9001072	S5KDD
15604	G1108KRRB	22112	RA100R	9001085	S5PP
15605	G80MSA2 ZP	2356620	9106NP	9017261	205PP
15606	G80MSB ZP	2366348	RFTD 1 15/16	9018179	S8PP
15617	W208PPB2	2366428	VAS 1	CAAX8.5-713431	9107 PP
15618	80MS ZP	2366513	GTFTD 1	P80000-4-1 0	S7NPP
15625	W210PPB7	2366514	GRFTD 1		

**FARMHAND INC.**

**Tub Grinders, Beet Harvesters, Grinder Mixers, Stackwagons, Hay Rakes**

Part no.	Fafnir no.	Part no.	Fafnir no.	Part no.	Fafnir no.
7142-1	RA100RR	7434-2	RCJ 1 1/2	7448-2	RASC 1 1/4
7182-1	010-10482	7434-21136	RJC 1 3/4 B/P11601	7448-4	RASC 1 3/4
7182-2	008-10874	7434-3	RCJ 1 7/16	7449-1	RCJC 1
7182-4	010-10853	7434-4	RCJ 1 3/4 B/P 11601	7462-1	P203PP
7183-1	010-10601	7434-6	RCJ 1 3/8	7462-4	206PP
7263-1	G52MSA ZP	7434-7	RCJ 1 1/2 B/P 11400	7471-1	206KRR4
7263-2	G62MSA3 ZP	7434-8	RCJ 1 5/8	7471-2	207KRR3
7263-3	G62MSA6 ZP	7435-1	RAS 1 1/4 FS525	7471-3	203KRR2 E8728
7264-1	G52MSB ZP	7435-10	RAS 1	7475-1	FLCT 1
7264-2	G62MSB3 ZP	7435-12	RAS 1 3/4 FS506	7475-2	FLCT 1 1/4 S
7265-3	G1103KRRB3	7435-13	RAS 1 15/16 FS506	7483-1	RCSM 1 3/16
7267-1	S1100K	7435-2	RAS 1 7/16 FS525	7483-6	72MS ZP
7267-2	S1102K	7435-8	RAK 2 7/16	7487-1	VFD 1 1/4
7267-3	S1103K3	7435-9	RAK 2 1/4	7487-5	VFDR 1 1/4
7267-6	S1104K	7436-1	VAS 1	7487-7	VFDR 1 3/8
7348-1	012-11537	7436-2	VAS 1 1/4	7487-8	GVFD 1 3/8
7348-2	010-11536	7436-3	VAS 1 7/16	7558-1	RCJO 1 15/16
7384-2	9112PP	7440-1	1100KRRB	7591-1	RA012RR
7395-1	52MST ZP	7441-1	RA100RRB	7591-2	RA106RR
7395-3	62MST ZP	7441-10	RA103RRB	7689-1	205PP12
7398-2	RA014RR	7441-2	RA014RRB	JD9238	206KRR4
7427-1	RFD 1 1/2	7441-3	RA100RRB	JD9295	P203PP FS50000
7432-1	GVFTD 1	7441-4	RA102RRB	PFTD 1 1/4	VFTD 1 1/4
7432-2	GVFTD 1 1/4	7441-5	RA103RRB	RA103RRB & Col.	RA103RRB
7432-4	VFTDR 1	7441-6	RA104RRB	RAS-2 1/4	RAS-2 1/4
7432-5	VFTDR 7/8	7441-7	RA106RRB	RASC 1 1/2	RASC 1 1/2
7432-6	GVFTD 1	7441-9	RA107RRB	RASC 1 7/16	RASC 1 7/16
7433-1	RCJT 1 1/4	7444-2	RA100RR	VAS 1 1/4	VAS 1 1/4
7433-2	RCJT 1	7444-4	RA104RR	VCJT 1 1/2	VCJT 1 1/2
7434-0	RCJ 2	7444-5	RA103RR2		
7434-1	RCJ 1 1/4	7444-6	RA108RR FS282		

## FORD

## Tractors

Part no.	Fafnir no.	Part no.	Fafnir no.	Part no.	Fafnir no.
100828	G1104KRRB	167836	210PP	221721	72MS ZP
100829	S1104K	168227	S1103K3	221722	1106KRRB
10095-A	200PP	168264	RA103RRB2	221955	Unit B/P 10605
106801	205KR3	168636	RA100RRB	221956	G1100KRRB
106853	010-10731	168637	S1100K	221958	RCJ 3/8 to B/P 11303
107610	LAK 1 3/16	168639	RA102RRB	221959	G1106KRRB
107827	S1012K	168640	S1102K	222279	203KRR2
108032	S1012K	168912	S1100K	240381	RA103RRB2
108039	207KRR FS160	169756	206KLL	240611	P206PP
108050	RA104RRB	169852	RA014RRB	240953	RA108RRB2
108051	G1103KLLB	170221	206PP	241323	1115KPPB2
108052	S1103K	170223	5204K	241452	1103KRRB
108180	52MST ZP	170309	52MS ZP	241565	RA108RRB
108331	1106KRRB	170310	1100KLLB	241712	G90MSA ZP
108879	RA103RR2	170409	1103KLLB3	241796	GRA102RRB
113903	W209PPB2	170410	62MSTR ZP	241798	G1115KRRB
113904	85MS ZP	172052	47MS ZP	241799	G62MSA ZP
130365	203KR2	173440	RA108RRB	241800	G62MSB ZP
133581	208KP2	175027	1100KRRB	241801	G90MSB ZP
141252	PS10PP2 FS282	175028	1100KRRB	242007	206KRR4
141348	80MS ZP	175031	209NPP	242074	208KRR4
141349	S1108KT	175032	RA012RRB	243029	G80MSB ZP
141356	RA108RRB	175033	RA012RRB	243030	GRA108RRB
141624	62MST ZP	175037	47MST ZP	243031	G80MSA2 ZP
142068	RA102RR	175039	RA014RRB	243128	203KRR2
142382	52 MSTR ZP	175040	RA100RRB	260284	52MST3 ZP
144475	308K	175041	208KRR2 FS160	260369	RA014RRB
144476	306K	175043	RA102RRB	313242	9109K
146847	RA014RRB	175052	47MSTR ZP	711770	203KRR3 E6814
147082	RA014RRB	175055	212NPP	7200460	GW209PPB2
147480	207KDD	175056	1108KRRB	7300072	1108KR
147606	RA106NRRB	175057	1108KRRB	7400038	206KRRB3
148421	207NPP	175059	RA014RR	7501260	J207KRR E6814
148916	1106KLLB	175068	213NPP	7RA 10094A	203PP
148917	72MS ZP	175082	1102KRRB	8A7065	207K
149071	1106KRRB	175083	1102KRRB	9M-715B	206K
149072	S1106K	175089	1103KRRB3	9N-10094	202K
149274	RATR 1	175090	1103KRR3	AJ1225-A3	207PP3
149690	90MS ZP	175091	S11031K3	7600A3	203CD
149724	1115KRRB	175092	62MSTR ZP	C3AR-7A452-B	207KG
160628	207KL	175101	RA112RRB	C3AW-1225-A	207KRR8
160636	205KD	175102	RA112RRB	C3NF-10094-A	P203NPP
160639	206PP	175103	S1112K	C3NF-10095-A	200PP
160640	9109PP	175219	1106KRRB	C5NN-7A453-A	207KG
161353	204KD	175220	W210PP2	C5NN-N755-A	306K
161373	9110KD	176375	203KD	C7NN-(71 B-B)(7118-B)	211W
161380	308WD	176690	5203KD	CONN-7C246A	208K
161894	210P	177849	W210PP2	CONN-7C246B	210K
162235	LAK 1 1/4	178039	207KRR7	D2NN-B745-A	9115K
163793	1103KRRB3	192568	203K	D3NN-4650-A	GRFDRC 1 3/4 B/P11723
163892	1014KLLB	192569	204PP	D6NN-3N860-A	208P
163893	S1014K	220144	Unit B/P 10871	D6NN-8A617A (Ref. XN-371017)	10874
164580	202P	220338	52MS2 ZP	NCA-970-A	5027W
165010	52MS ZP	220376	72MS2 ZP	R44299	205K
165011	1014 KLLB	220711	307K	R44393	206K
166598	205KRR2	220782	207K	R44583	RA 1
167829	207TT6	221720	S1106K	TAAA-7065	306K

**GEHL**

**Haying Equipment, Balers, Etc.**

Part no.	Fafnir no.	Part no.	Fafnir no.	Part no.	Fafnir no.
040874	52PBSZP	061917	G52MSA9 ZP	520103	G1203KRRB
041499	GRA107RRB	061918	G52MSB3 ZP	520104	S1203K
042297	RA100R E9695	062261	G203KRRB11	520105	9107PP
042651	008-10731	062367	P205P	520106	9114PP
042902	G52MSB ZP	064094	P203PP	520144	GRA103RRB2
042903	GRA100RRB	064703	P211WDN	520145	RA014RRB
043681	GRA183RRB	064839	RA110RRB	520146	9108PP
043682	S1103K	067495	S1106K	520149	1010KRRB
043683	RA107RR FS282	069387	GRA106RRB	520150	RA010RRB
043684	RA112RR E9695	069486	206KRR8	520151	203P
043685	VFDR 1 7/16	072056	GW211PPB8	520153	S1106K
043690	P206K	074951	52MST3 ZP	520156	G1012KRRB
043691	P207K	074964	GN107KRRB	520157	RA102RRB
044260	206KRRB6	075226	GYA010RRB	520158	RA107RRB
045042	47LST	076156	203KRR5	520159	S1102K
045254	1008KRR	076159	203KRR3	520167	GVSDS 1 1/4 B/P 11603
045265	47LSTR	076160	47MST STP ZP	520171	G1115KRRB
045335	RAL 100RRB	17H417	52MS3 ZP	520172	S1115K
045336	LS100K	520057	RA008RR	520173	GN203KRRB
045585	VAS 1 1/4	520059	RA015RRB E5589	520174	SN203K
046775	P207NPPB	520060	RA015RRB	520175	202NPP9
047170	GC1215KRRB	520062	RA100RR	520176	GRA203RRB
047171	C215 Col	520063	RA100RRB	520177	203KRR2 E8728
047337	RCJO 1 15/16	520064	RA103RR2	520178	GN115KRRB
047338	RFC 1 7/16	520065	RA103RRB2	520179	LAO 1 15/16
047348	5204K	520066	RA106RRB	520188	RA110RR
047351	VFD 1 3/4	520067	SN107K	520189	VFD 1 3/8
047621	G72MSA ZP	520068	GN107KRRB	520194	G1112KRRB
048182	008-10601	520069	GN110KRRB	520195	S1112K
049045	205KRRB2	520073	SN110K	520208	RA106RR
049046	207KRRB9	520074	204K	520217	1010KRR
053657	62MST4 ZP	520077	212NPP	604892	9110K
053717	VAK1	520078	S1008K	AE27909	47LST SNGL
053719	G206KRRB6	520079	S1015K	B11335	52MST ZP
053720	GRA112RRB	520080	1015KR	C14118	010-6015S
054724	GC1203KRRB	520083	1100KRRB	H193A	G62MSA ZP
054728	GC1107KRRB	520084	S1100K	H195A	G62MSB ZP
056352	RA103RR2 E9695	520085	S1103K3	H417	52MS3 ZP
056847	G52MSA3 ZP	520086	1103KR	H487	62MST2 ZP
056848	G205KRRB2	520089	G1104KRRB	H7811	40MS ZP
057179	RA104RRB	520090	S1104K	H7813	008-10483
057370	010-5017S	520091	G1107KRR	H7846	52MSTR ZP
057586	G62MSA5 ZP	520092	G1107KRRB	H8334	62MSTR ZP
057821	RCJT 1 3/4	520093	S1107K	H8365	40MST ZP
058501	G1106KRR	520094	1107KR	J08594	S1106KCI
060442	GYA103RRB2	520097	G1110KRR	R13227	62MS ZP
060573	G205PPB13 FS576	520098	G1110KRRB	S16215	72MS3 ZP
061913	52MS1ZP	520099	S1110K		
061916	G52MSA8 ZP	520100	1110KR		

**GRAETZ**

**Silo Unloaders, Barn Cleaners**

Part no.	Fafnir no.	Part no.	Fafnir no.	Part no.	Fafnir no.
206K	206K 207KD 207KD	RA100RRB & Col.	RA100RRB	S8KD	S8KD
210KD	210KD	S10P	S10P		
5210W	5210W	S7KD	S7KD		

**HAMBY COMPANY****Disc Bedder, Rod Weeder, Bed Roller, Flex Roller, Rotary Hoe, Flex-I-Hoe**

Part no.	Fafnir no.	Part no.	Fafnir no.	Part no.	Fafnir no.
BB203KRR2 G1108KPPB3 & GN104KRRB	BB203KRR2 G1108KPPB3 GN104KRRB	RA100RRB W208PPB6 W208PPB8	RA100RRB W208PPB6 W208PPB8	W210PPB2	W210PPB2

**HESSTON****Hay Harvesting Equipment**

Part no.	Fafnir no.	Part no.	Fafnir no.	Part no.	Fafnir no.
003-9933	GJ72E80-208	051-763	N104KRRB	710-665	39KTT
050-021	RA106RRB	051-771	N107KRRB	710-673	203KRR5
050-039	9107P	051-813	RA106RR	710-707	62MSTR ZP
050-054	205NPP	051-854	RA014RR	710-715	RA100RRB
050-146	205K	051-946	1012KLL	710-830	204KRR2
050-153	208NPP	051-953	52MS6 ZP	710-848	RA103KRR2
050-179	206PP	051-979	72PBS	710-897	RASC 1 3/16
050-237	RCJ 1 3/4	051-987	72MST ZP	710-871	RA104RR
050-286	RA014RRB	051-995	1107KRRB	711-010	S10KDD
050-294	52MS ZP	053-553	008-10482	711-0155	GRFDR 1 3/4
050-302	RA100RRB	053-561	008-10483	711-358	209NPP
050-310	1102KRRB	054-007	008-10601	711-382	R207KRR3
050-328	1108KRRB	054-072	008-10731	711-408	72MS5 ZP
050-336	1103KRRB3	054-205	010-10601	711-416	S8KDD
050-344	RA103RRB2	054-510	008-11515	711-424	G62MSB ZP
050-419	9108PP	054-577	010-10482	711-432	G1103KRRB3
050-435	RCJ 1 1/2	054-841	008-10853	711-440	G72MSB4 ZP
050-468	RA108RRB	087-726	010-11536	711-457	G1107KRRB
050-476	RA102RRB	087-973	010-11535	711-465	G1103KRRB
050-492	PBC 1 1/4 S	088-732	010-11451	711-473	G72MSA4 ZP
050-500	9110PP	163-550	40MS ZP	711-481	G62MSA ZP
050-518	205KR3	1710268	RA102RR	711-531	GC1103KRRB
050-534	62MS ZP	45882	RA102RRB	711-572	GVFTD 1
050-542	72MS ZP	667925R91	203KRR3	711-606	RAS 1 3/16
050-567	52MS2 ZP	700700613	DHU 1 1/2 R209	711-614	1103KRRB
050-575	80MS ZP	700700760	1012KRRB	711-622	1103KRRB3
050-583	85MS ZP	700703101	W208PPB16	711-630	GRA107RRB
050-591	52MST ZP	700703197	209KRRB2	711-633	RASC 1 3/8
050-609	62MS3 ZP	710-004	1104KRRB	711-648	G1103KPPB3
050-617	RA012RR	710-012	PBS 1 1/4	711-655	RASC 1 1/4
050-740	1103KLLB	710-020	1104KRR	711-671	TAS 1 3/16
050-757	1104KLLB	710-038	RA107RRB	711-689	TAS 1 3/8
050-807	1012KRRB	710-046	52PBS Stamping	711-697	TCJT 1 3/8
050-864	1106KRRB	710-053	RA100RR	711-713	RAK 1 1/2
050-880	1109KRRB	710-129	FLCTS 1 1/4	711-721	RCJT 1 3/16
051-052	1200KRRB	710-137	1012KRR	711-739	LAK 1 3/8
051-177	RA008RRB	710-145	S1012K	711-762	RA012RRB1
051-185	203KRR6	710-152	W208PPB6	711-770	203KRR3
051-193	72MS2 ZP	710-178	RASNS 1 1/4	711-820	GVFTD 1
051-201	305NPP	710-194	RCJT 1	711-838	GRFD 1
051-227	G1108KRRB	710-202	VFDR 1 1/4 FS239	711-846	GC1104KRRB
051-243	72MS2 ZP	710-210	G1100KRRB	711-853	GC1106KRRB
051-250	210NPP	710-251	R206KRR4 FS219	711-861	G1106KRRB
051-268	204PP	710-269	1104KRRB	711-879	G1106KPPB2
051-276	DSRP6 FS160	710-293	62MST ZP	711-887	VFTD 3/8
051-284	RA103RRB	710-301	1100KRRB	711-895	GC1103KRRB
051-292	RA104RRB	710-368	LCJ 1 1/4	711-911	RCJT 1 1/2
051-300	RA105RRB	710-400	LCJ 1 1/2	711-952	47MST ZP
051-318	RA112RRB	710-434	G1104KRRB	711-960	80MS ZP
051-326	9111PP	710-491	RCJ 1 1/2 B/P 11400 E8904	711-978	RCJT 1 1/4
051-417	72MS ZP	710-533	RA100RRB	711-986	RCJT 1 3/8
051-425	85MS6 ZP	710-541	62PBS	711-994	RAS 1 1/4
051-482	52MSTR ZP	710-558	62MS2 ZP	712-000	RAS 1 3/8
051-540	1012KRR	710-574	RA103RR2	712-059	G1108KRRB
051-557	RA112RR	710-582	VCJT 1 1/4 S	712-067	TAK 1 3/8
051-672	RA103RR2	710-624	308WD	712-083	312NPP
051-680	RA100RR	710-632	RA010RRB	712-117	9114PP
051-730	RA115RRB	710-640	S1100K	712-125	RA103RR2

**HESSTON (continued)**

**Hay Harvesting Equipment**

Part no.	Fafnir no.	Part no.	Fafnir no.	Part no.	Fafnir no.
712-158	RA200RRB	714-139	VFDR 1 1/4	771-3019	GTFD 1 3/8
712-273	GC1103KRRB	714-147	RA108RR	771-3027	205PP10
712-281	G1106KPPB2	714-154	VFDR 1 3/8	771-3597	1103KRR3
712-307	G1106KRRB	714-162	RA110RR	771-3639	G90MSB ZP
712-323	GRFTD 1 1/8	714-287	206KPP2	771-3647	GRA115RRB2
712-349	RA106RRB	714-345	CJ24E32-28	771-3704	TCJ2
712-398	205P	714-352	CJ24E28-64	771-3829	205TRS2
712-406	2 Unit B/P 11924	714-360	100MS ZP	771-3894	215WNPP
712-463	VFTD 1 3/16	714-394	RFDR 1 1/4 S	771-3985	G1200KPPB4
712-497	RFDR 1 1/2	714-410	G1010KRRB	771-4157	G90MSA2 ZP
712-513	1 1/2 B/P 11905	714-493	RFD 1 3/8	771-4280	S1102K
712-521	72MS3 ZP	714-501	GRFDR 1/2	771-4298	207KRR8
712-539	N108KRRB	714-683	G1108KPPB3	771-4462	52MS3 ZP
712-547	VAS 1 1/2	714-717	CJ32E40-28	771-4470	52MS8 ZP
712-554	VAS 1	714-725	GRFDRC 1 3/8	771-4595	G62MSA2 ZP
712-562	VAS 1 1/4 S	714-733	GC1108KRRB	771-4603	G206KRRB6
712-570	VAS 2 S	714-741	GTFTD 1 3/16	771-4629	5203PP4
712-604	P204KRNPP2	714-782	RA108RR	771-4678	G100MSA2 ZP
712-612	72MS6 ZP	714-808	RCJTC 1 1/4	771-4686	G100MSB ZP
712-620	G72MSA5 ZP	714-816	1 1/4 B/P 12264	771-4926	9104P
712-653	203KRR2	714-824	1104KRXB2	7710015	GC1112KRRB
712-927	RCJ 1 3/8	714-865	206KRRB	7713019	GTFD 1 3/8
712-935	S1100K	714-873	1203KRRB	7713829	205 TRS2 A3228
712-943	RA115RRB2	714-915	1 3/8 Unit B/P 12264	804-039	PW306KLL
712-950	RAS 1 3/8 FS239	714-923	1106KRX2	8050056	GW209PPB1PRB
713-115	TCJT 1/4	714-931	1106KRXB2	8050080	RA106RR
713-164	RA102RRB	747-931	012-11517	8050510	RA107RRB
713-172	206KRRB6	771-0023	G1112KRRB	8050601	KSP10 FS160
713-388	RA008RR	771-0122	CJ40E4811	8050643	308NPPB PRB
713-453	G1104KPPB2	771-0155	GRFDR 1 3/4	8050692	1108KRRB
713-495	G1108KRRB	771-0163	GRFDR 1 3/8	8050783	207K14
713-552	1104KR	771-0171	G1103KPPB4	8050825	RA108RR
713-743	1203KRRB	771-0296	G1112KRRB	8051039	207W
713-784	S8K	771-0312	RAS 1 1/2	8051138	52MST3 ZP
713-826	1104KRR	771-0320	RAK 3/4	853-044	010-10731
713-867	RA103RRB2	771-0338	RCJT 1 3/4	853-333	010-12107
713-875	204KRNPP6	771-1260	1102KRRB	853-606	006-11581A
713-941	RA106RRB	771-1294	RA112RR	853-820	008-10874A A1375
713-958	90MS ZP	771-1328	GRA108RRB	854-729	010-10853
713-966	GRFD 1 1/4 S	771-1377	GRA104RRB	JD9364	G1200KPPB4
713-982	B/P 12174	771-1393	G72MSB ZP	JD9400	RA103RRB2
714-014	307NP	771-1401	G80MSB ZP	JD9422	1112KRRB
714-048	RAK 1 3/8	771-1419	G80MSA ZP	PU1226	G1106KRRB
714-063	RFD 3/8	771-1534	37PP2	TU-8587	RA104RRB
714-105	GRFD 1 3/8 A2566	771-2706	211K		
714-113	1112KRRB	771-2706	211K		

**HESSTON PLOW COMPANY**

**Grove Harrow, Farm Harrow, Tree Hoe, Fireline Plow**

Part no.	Fafnir no.	Part no.	Fafnir no.	Part no.	Fafnir no.
1078	VCJ 1 3/8	1145	TCJ 1 3/4	930	W208PPB5
1078-C	GRA106RRB	1353-A	B/P 11470	951	W210PP2

**HOBBS-ADAMS ENGINEERING****Peanut Harvesters**

Part no.	Fafnir no.	Part no.	Fafnir no.	Part no.	Fafnir no.
3002	RAK 1 $\frac{3}{16}$	3025	GVFD 1 $\frac{3}{8}$	3072	GRA012RRB
3005	S1103K	3026	203KRR2	3073	S1012K
3006	RCJ 1 $\frac{11}{16}$	3027	GRA100RRB	3074	S1014K
3009	GRA103RRB	3028	GRA100RR	3075	G1103KRRB
3010	203KRR3	3029	S1111K	3076	GRA106RRB
3011	RAK 1 $\frac{7}{16}$	3030	S1100K	3077	S1106K
3012	CR $\frac{3}{4}$	3031	G1111KRRB	3078	G1107KRRB
3013	GVFTD 1	3032	G1100KRRB	3079	GRA107RRB
3014	RAK 1 $\frac{11}{16}$	3034	RAKH 1 $\frac{3}{16}$	3080	S1107K
3015	GVFTD 1	3048	RAS 2 $\frac{15}{16}$	3081	GRA111RRB
3017	RA10M10	3054	GRA014RRB	3082	G111KPPB4
3018	GVFD 1 $\frac{3}{16}$	3055	GVFD 1 $\frac{3}{16}$	3083	G1215KRRB
3020	GVFD 1 $\frac{11}{16}$	3057	GRFD 1	3084	S1215K
3021	GVFD 1	3058	GRFD 1 $\frac{3}{16}$		
3023	GRFDR 1 $\frac{11}{16}$	3062	GVFD 1 $\frac{7}{16}$		
3024	TCJ 1 $\frac{11}{16}$	3071	RA012RR		

**HUSTLER CORPORATION****Rice Levee Sprayers**

Part no.	Fafnir no.	Part no.	Fafnir no.	Part no.	Fafnir no.
G1103KPPB3	G1103KPPB3	GTFD 1 $\frac{3}{16}$	GTFD 1 $\frac{3}{16}$	RA103RRB2	RA103RRB2
GRFD 1 $\frac{3}{16}$	GRFD 1 $\frac{3}{16}$				

**INTERNATIONAL HARVESTER****Full Line of Farm Equipment**

Part no.	Fafnir no.	Part no.	Fafnir no.	Part no.	Fafnir no.
00209861	008 10483 Pulley	161200C91	VFTDR 1 $\frac{1}{8}$ E9944	181383C1	72MS5 ZP
107095C91	203KRR5 A2821	161418C11	VFTDR 1	184647C91	N106KRRB
107653R91	209NPP	162513C91	1 $\frac{1}{8}$ B/P 11803	184647C91/18464	GN106KRRB
110604R91	9110KD	162728C91	G1108KRR	184648C1	SN106K
113568R91	209NPP	162734C91	G1104KRR	186636C1	47MSTR ZP
117510R91	207NPP	162740C91	G1106KRR	189515C91	RCJ 1 $\frac{5}{8}$ B/P 11601
122174C91	VFDR 1 $\frac{1}{4}$	164038C91	RA110RR	192471C92	RA103RR2 E9695
1251062C91	W209PPB2	164038C92	RA110RR 164038C92	193382C91	G1200KRRB
1253246C91	RCSM 1 B/P 12526	164774C91	G1106KRRB	194572C91	RA100RRB
1268017C91	204RY2	165360C1	52MS2 ZP	197258091	VFDR 1 $\frac{1}{8}$
1302001C91	VMST 1 $\frac{1}{8}$	165482C91	RAL012NPPS	200466C91	9103KD
134417C91	RCJ 2 $\frac{3}{16}$ B/P 12479	165483C11	LS012K	201103C91	RFTDS 1 $\frac{1}{4}$ E9944
1414239R91	G1106KPPS2	165484C1	42LSTR SNGL	201118C92	P9113PP A1228
142391H	203KTD	165493C92	9112PP FS167E	201753C91	RAS 1 $\frac{1}{8}$ FS239
1479440	JS3KDD11 A1687	167878C11	GG2MSA6	201753C92	RAS 1 $\frac{1}{8}$ 201753C92
149261C91	BB203KRR2 A3212	168264C91	1 $\frac{1}{4}$ Unit B/P 11959	201895C91	G1102KPPB3
152923C91	G1110KRRB	169227C91	G1102KRR	202310C91	1102KPPB3 A1855
153255C11	VFDT 1 $\frac{3}{16}$ E9944	169730C91	RAK $\frac{3}{8}$	202311C91	1100KPPB3 A1895
155284C11	1 $\frac{1}{4}$ FLCTS B/P 11736	171879C92	GRA102RR	202909C1	G62MSB6
155359C11	1 B/P 11729	172404C91	G1111KRRB	203216R91	5308WG FS153
155360C11	B/P 11726	172406C91	G1203KRRB	203216R91	5308WG FS153
155361C11	B/P 11727	172408C91	G1115KRRB	203389C91	206KPP3
155932C92	GRFD1 B/P 11962	173562C91	RAK 1 $\frac{1}{4}$	203389C91	206KPP3
156011C92	GRA103RRB 2	173564C91	RAK 1 $\frac{3}{8}$	204049C91	RSDS 1 $\frac{1}{4}$
156025C92	GRA103RR2	173735C91	G1104KRRB	205366R91	9111K
156027C92	GRA103RR	173944C91	M1109KRB	205368R91	9111K
156030C91	G1104KRRB	174180C91	GN104KRRB	207723C91	GRFTDR 1 $\frac{1}{8}$
156031C11	1 unit B/P 11752	174997C91	VFD 1 $\frac{1}{4}$	208455C91	012-11517
156032C91	1 unit B/P 11759	175245C91	P9112PP FS167E	208473C91	GRFD 1 $\frac{15}{16}$
156221C91	010-11515	176699C91	KP12A A2365	208475C91	GRFD 1 $\frac{1}{4}$
156516H1	208NP	177449C91	1 $\frac{1}{8}$ B/P 12238	211587C91	206KRRB6
156647C92	GRA108RR	178380C91	1 $\frac{1}{8}$ GVFD R A2323	212312C91	RAS 1 $\frac{1}{8}$
156816C91	207KRRB12	179665C91	209KRRB 2	212328C91	206KPPB3
160080C91	1203KRB 2	180383C91	G52MSA3	214366C91	RA100RRB
161076C91	P303PP	18079D	5209W	214490C91	VMST 1

INTERNATIONAL HARVESTER (Continued)

Full Line of Farm Equipment

Part no.	Fafnir no.	Part no.	Fafnir no.	Part no.	Fafnir no.
218575C91	GVFTD 1 7/16	464267R91	5205KD	557994R91	1103KRRB3
218584C91	GRA107RRB	465911R92	RCJM 1 7/16 B/P11303	557995R11	S1103K3
219651C91	GRFTD 1 1/4 S FS528	465958R91	G1107KRRB FS385	558341R91	1102KRR
221665C91	GRFTDR 1 1/4 S FS528	466325R92	RCJM 1 3/8 B/P11315	55966D	9114K
253898R91	201KDD FS50160	466326R91	G1112KRRB FS385	562774C91	RCJT 1 11/16
255637R91	5307WD	467956R91	RCJT 1 3/8	563638R91	1103KRR
256557R92	RA107RRB	468390R92	RA010RRB	563883R91	1103KRR3
257601R91	P5206	468391R11	S1010K	564745R91	010 10483
26256D	39K	470597R91	G1106KRRB	564991R92	RA014RRB
264368R91	5211W	470716R91	008-10650	565631R1	62MS ZP
267364R91	5205KG FS153	470743R91	G1103KRRB3	565672R92	RA104RR
272560R91	204KL	470880R91	P204KR2	566632R92	RA103RR
272561R91	205KL	470938R91	RCJM 1 1/2 A2358	566634R92	RA103RRB
272924R91	PS7KDD	471895R91	1012KRRB	567313R91	205P
273879R91	P5307WD	473091R91	G72MSA SNGL	570041R91	1110KRRB
275552R91	P5606 FS118	473093R92	GRA106RRB	570043R91	1107KRRB
275581R91	P5206WD FS118	473097R92	GRA104RRB	571334R91	1102KRRB
278094R91	W306PP	474052R91	010-10650	571339R91	1115KRRB
279323R91	9118K	474771R91	RAK 1 1/4	571340R91	9109PP FS200
279324R91	207KL	474895R91	RCJ 1 5/8	571588R92	RA106RRB
280428C91	205P	474915R91	M210K	572180R91	9114PP
285381C91	9101NPP	475092R91	RCJO 1 3/16	573856R91	1106KRR
286486R91	5208W	478038R92	GRA108RRB	574097R91	010 10853
289352R91	P306NPP E7162	478656R92	RA101RRB	57511C91	RFD 1 1/8 B/P 12218
308624R91	201KL3 FS50000	478657R91	S1101K	579857R91	202KLD 3
309587R91	303KD	479589R91	203KRR2 E8728	580095R92	RA014RR
311321C91	204PPG FS153	481043R91	N108KRR2	581469R1	62MST ZP
319982R91	RAO 2 7/16	482303R92	GRA100RRB	582815R91	1112KRRB
338543R91	W206PP FS282	483349R91	RAK 1 5/8	582816R11	S1112K
338544R91	W306P	483350R91	G1110KRRB	585511R91	G1107KRRB
338545R91	W307P	483516R92	GRA014RRB	586156R92	RA012RR
338615R91	G1207KRRB	485259R91	1104KRRB	586609R92	RA100RR
338616R91	GN207KRRB	4852614R1	72MS2	58660R92	RA100RR
361017R91	210PP	4870911391	206KRRB3	586649R92	RA103RR2
371419R91	P311WDD	488454R1	G80MSA4	587015R92	RA104RR
372769R91	5206W	488958R91	204KD	590954R91	9112K
375675R91	G1205KRRB	49109BR91	G1109KRB6 FS385	591812R91	1112KRR
376272R1	40MST ZP	493430R91	203KRR3	592141R91	204KRR2
389440R91	1104KRR	495609R91	5307WG FS153	594396R91	1112KRRB
389736C91	412K	495953R91	9110PP	597494R91	RAK 1 3/8
3909012	80MS ZP	517644R91	1106KRRB	597502R91	RCJ 1 3/8
392670R91	314K	517645R11	S1106K	597536R92	RA108RR
41026D	5210G FS153	524589R91	304PP	597537R91	1108KR
441805R91	P203P A1760	52548D	P5209WD	598428R92	RA103RR2
441806R91	P305NPP A1760	528342R92	RA100RRB FS167E	599112R91	207NPPB
441807R91	P203PP A1760	528343R92	RA102RRB FS167E	599382R1	72MST ZP
450627R91	G1108KRRB A1652	54169D	5205K	599601R91	G1108KRRB A1283
451590R91	9106K	541857R91	010-6015S	60249C91	GW214PPB5
453879R91	P206NPP	543766R91	RAL010NPPB	60616D	SM1111WS
454887R91	RAK 1 1/2	545139R11	LS010K	607443R91	008 10483 Pulley
455101R91	1100KRRB	54513BR91	RAL010NPPB	608131R91	1115KRRB
455102R11	S1100K	546267R91	G1103KPPB4	609654R91	305NPP
455102R21	S1100K	546315R91	1 3/4 Unit B/P12101	611311R92	RA107RR
455103R91	1104KRRB	546540R91	RAL102NPPB	611583R91	1106KRRB
455104R11	S1104K	546895R91	RAL102NPPB	611921R92	RA106RR
455105R91	1207KRR	547010R11	LS102K	611928R91	203KRR5
455107R92	N207KRR	548674R91	BB010-6015S	612022R92	RA203RRB
455111R91	G1108KRRB	54892BR91	205KRRB2	612023R11	S1203K
455112R11	S1108KT	554553R91	9109PP	613969R92	RA103RR
455162R91	G1100KRR	557089R91	1107KRRB	613989R92	RA106RR
455957R92	RA012RRB	557113R11	S1107K	614617R91	G1104KRR
455958R11	S1012K	557114R91	1102KRRB	614801R91	G1102KRR
455960R92	RA102RRB	557115R11	S1102K	615350C91	206P
455961R1	47MS ZP	557115R21	S1102K		
455965R92	RA100RRB	557116R91	1103KRRB		
459385R91	207NPD	557117R11	S1103K		
460774R91	P207PPG FS153	557118R91	1110KRRB		
462182R91	P308NPP	557119R11	S1110K		
463364R91	9106PP	557959R91	9113P		



## INTERNATIONAL HARVESTER (Continued)

## Full Line of Farm Equipment

Part no.	Fafnir no.	Part no.	Fafnir no.	Part no.	Fafnir no.
615659C91	P9112K	661001R91	204KLL2	672731C91	304K
617617R91	KS10	661147R1	40MS ZP	672826R91	206KRR5
61766BR92	RA102RRB 2	662519R91	208KRR4	672827R91	RAS 1 1/8
617863R1	72MS ZP	662649R1	62MSTR ZP	673322R91	RCJT 3/4 E9944A
617863R1	72MS ZP	662958R91	010-10601	673363R91	G1012KRRB
618031R91	1115KRRB	662959R91	010-10482	673365R91	1014KRRB
618032R11	S1115K	663559R91	1108KRRB	698982R91	305KDD
618210R92	RA102RR	663562R1	80MS ZP	72830C91	C1102KRRB A2873
619331R91	RA115RRB	663625R91	9104P	776993R91	RAK 1 1/8
619333R1	90MS ZP	663887R91	010-107301	818112C91	GW209PP8
619738R91	1103KRRB 3	664175R91	RA108RRB	820483C1	62PBS
624842R91	RCJ 1	664175R92	RA108RRB	824714R91	88MS ZP
625020R91	G1100KRRB	664597R91	GN108KRRB	8354HA	5309W
626899R91	203KRR6	664598R11	SN108K	913354R91	RCJ 1 1/4
628904R91	1106KRR	665799R91	7205W	936133R91	1108KRR
629721R11	S1109KT	666589R91	1100KRRB	936922R91	010-10731
629723R91	1111KRRB	666590R91	52PB	936998R91	1108KRRB
629724R11	S1111K	666624R91	203KRR2	937052R91	1115KRR
630095R91	W211PPB 3	667530R91	1100KRR	939460R91	G62MSA5 ZP
630210R91	W208PPB 5	667863R91	FLCT 1 3/8	939462R91	G72MSA2 ZP
631705R91	4J CAP	667886R1	72MS3 ZP	939473R91	G1014KRRB
631758R91	3 1/2 J CAP	667925R91	203KRR3	939475R92	GRA102RRB
631984R91	1109KRB2	6680B0R91	208KRR2	939618R91	1109KRB2
631986R91	1110KRB2	668369R91	VFDR 1 3/8 B/P11428	939621R91	1111KRB2
631988R91	1111KRB2	668712R91	VFD 1 3/4	950512R91	PB 1
631990R91	1112KRB2	668719R91	RA112RRB	952480R91	RCJT 1 1/2
631992R91	1110KR	668843R91	208NP	952929R91	RCJC 3/4
632034R91	206KR7	668907R92	RA010RR	958251R91	W214PPB2
632036R91	1115KRB5	668940R91	008-10482	958334R91	W211PPB2
636632R91	9107PP	669331R91	1012KRR	958731R91	RCJ 1 1/2
64927C91	J202NPP FS167E	669501R91	1010KRR	963889R91	W208PP5
654289R11	FLCT 1 B/P11452 E9944	669790R91	206KRR4	ST 414	210WG WirelocFS153
655306R91	206KLL	669807R91	205KR3	ST 436	308K FSS000
657383R92	1014KRRB	670373R91	G1102KRRB	ST 49A	BP491A
658004R91	206KL	670989R91	GRFDR 1 1/8	ST 597	210WDD
658006R91	S1014K	671357R91	9111P	ST 621	218K
658089R91	206P	671392R91	RA112RR	T28259	62MSTR ZP
658965R91	SAK 2 1/2 B/P10044	671998R91	010-11313		
659480R91	203KLD	672489R91	P9113PP FS200		

## JOHN BLUE

## Fertilizer Spreaders/Sprayers/Pumps, Small Tractors, Cotton Modules

Part no.	Fafnir no.	Part no.	Fafnir no.	Part no.	Fafnir no.
104027-01	S10PP2	C4574	VFTD 1 1/4 S	S303A	210PP FS200
104074-01	TAK 1 FS500	C4997	RTU 1 1/2	S3529	203KDD
104077-01	006-1158A	C5168-1	GRA100RRB	S3631	206PP
44000	5203K	C5168-2	G52MSA ZP	S3634	206PPG
44001	9109K	C5169-1	GRA103RRB2	S3728	206KRR8
44002	RA102RR	C5169-2	G62MSA ZP	S4467	G1107KRR
44007	205P	C5169-3	G62MSB ZP	S4483	RCJT 1 3/16
44008	9105K	C5274	GPSD 1	S4506	R207KRR3
44009	9105P	G5168-3	G52MSB ZP	S5249	1200KRR
44010	SM1100K	L3019	MS10	S5646	209KDD
44012	RALTR 5/8 ZP	L3766	5206KDD	S5732	VAS 1
44013	GRFDR 1 1/4	L3866	010-11535	S6461	S12K
44015	205PP	L3868	RCJT 1	S6463	213NPP
44016	5306W	L4462	RAS 7/8	S6466	9112K
A4332	PBS 1	L5036	210KD	S6467	RJC 1 3/8
A5448	9117KDDG	L5038	S12K	S6468	RCJ 1
B68	VAS 3/4	L5383	VFTD 3/4	S6878	CJ32E36-40
BA130	RA 3/4	L7677	KSP8 FS160	S8204	9114PP
C3465	VAS 1 1/2	M1581	RAK 1 1/2	S846	RCJ 1 1/8
C4484	VAS 1 1/4	S2101AAA	RA106RR	S847	RAK 1 1/8
C4491	RCJC 1 1/2 or RCJ 1 1/2	S2531BR	303PP		
C4496	RCJ 1 3/4	S303	9110PP FS200		

**JOHN DEERE**

**Full Line of Farm Equipment**

Part no.	Fafnir no.	Part no.	Fafnir no.	Part no.	Fafnir no.
A030728K	208NP	AE29595	G1104KRBX2	AH84835	G52MSA5 ZP
A20174	G80MSB6 ZP	AE29747	RA014RRB	AH87204	008-5017S
A20175	GW208PPB5 FS544	AE29749	RA102RRB	AH88893	206KP2 PRB FS615
A20649	GW209PPB11	AE29876	205KRR2	AH89428	011H-5017S A3409
A22445	G100MSB4 ZP	AE29907	G85MSA ZP	AH89429	011H-6015S A3409
A24045	GW211PPB11	AE30220	T205TRS2 A3228	AH93700	G52MSA6 ZP
A27002	205KRP2	AE30587	G207KPPB2	AH96585	208KRR4 A3409
A30137	207KRR14	AE30624	G72MSA ZP	AJ100119	010-10482
A36060	207KYY	AE30794	G80MSA ZP	AK33798	RM1115K E5637
AA11180A	B/P 11153	AE31130	GW208KRRB5	AK35936K	RM1211K
AA14607	B/P 11677	AE31317	G80MSA6 ZP	AL14674	SE40K
AA15708	B/P 10817	AE32157	G52MSA4 ZP	AM1285T	202KT
AA20226	G85MSA5 ZP	AE32255	G62MSA3 ZP	AM30331M	008-10601
AA21005	G1100MSA4 ZP	AE32514	B/P 12219 FS239	AN100346	206KRR3
AA24044	GW214PPB6	AE33346	GN110KRRB	AN100348	208KRR6
AA24408	1108KPPB3 PRB	AE33347	1 5/8 Unit B/P 12273	AN100425	203KRR2 E8728
AA27172	G85MSAG ZP	AE34288	G72MSA3 ZP	AN101575	RA014RR E8728
AA34134	9100PP	AE37056	207KPP3	AN101576	RA102RR E8728
AA34616	206KPR4	AE37057	207KPPB3	AN102002	206K14
AB151418	RAT 3/4	AE37204	W208KRRB6	AN102010	207KRRB12 FS615
AB151958	RAT 1	AE40868	RTU 1 3/4 B/P 12530	AN103090	RCJO 1 15/16
AB34213	G100MSA ZP	AE40895	209KRRB2	AN103096	RCJ 1 7/16
AC11651	2 1/8 Unit B/P 11212	AE41201	W208KRR8	AN10389N	RA103RR
AC12195	2 1/8 Unit B/P 11213	AE42880	210RRB6	AN10414N	208NP
AC13510	VFD 1 1/8	AE46606	W208PP21	AN10415N	209NP
AC14318	GVFD 1 3/16	AE48914	GW208PPB32	AN110082	205NPP
AC14752	1 3/4 B/P 11688	AE49060	208KG FS744	AN110083	304NPP
AC15112	1 3/4 B/P 11852	AE53290	210PP7	AN110820	GVFD1 1/8 FS239
AC15145	GVFD 1 3/8	AE54574	B/P12856	AN110821	GRFD1 1/8 FS239
AC15775	RCJ 1 3/4	AH10199H	1114KRRB	AN11138N	206KRRB3
AC15853	1 3/4 B/P 11688	AH10200H	S1114K	AN111537	206PP FS50000
AC16266	VFTD1	AH10515	1104KRRB	AN112455	VFD 1 1/4
AE11184	RASC 1 1/2	AH10516H	1106KRRB	AN112851	GRFTD 1 1/8 B/P12157
AE11403	010 10927	AH106973	SE50K	AN113395	305NPP
AE12299E	G1108KRRB7	AH107148	204KRR2 E8728	AN114202	GVFTD1 3/8 B/P12537
AE12601E	RA112RRB	AH108767	SE50K5	AN11810	G1102KRRB
AE12690	010-10650	AH108768	GE50KRRB5 FS615	AN120213	1 1/8 B/P 11649
AE14807E	203KRR3	AH108801	9114PP A3248	AN121237	B/P 11886 FS239
AE20253	GVFD 1 1/2	AH108813	GN108KRRB	AN121810	P208NPP FS167E
AE20285	VFTD1 1/8	AH109023	S12K	AN123435	RA102RR
AE20715	RCJ1 3/8 B/P12487	AH115994	W208PP16	AN123450	1 1/8 B/P 11424
AE20839	VFD 1 1/8	AH11683	RA015RR	AN12500	203KLD
AE23575	205YY3	AH120819	GC1100KRRB	AN12627N	207NPP
AE23647	S12NPP	AH12125H	1103KRRB3	AN12629N	Unit B/P 11816
AE24130	GRFD 1 3/8 A2008	AH123283	JRAE35RRB	AN130709	205KR3
AE24347	RA103RRB2	AH135998A	209PP	AN131864	G80MSA ZP
AE24361	P9115PD E9964	AH13720	1012KRRB	AN140377	BB203KRR2PRB A2139
AE24362	9109PP	AH137382A	G1108KPPB3	AN141120	010 12107 Pulley
AE24947	VFTDR 1 1/4 FS239	AH13795H	305KB A1203	AN141956	BB203KRR2 A2139A
AE24956	GVFD1 FS239	AH13880H	G1101KRRB	AN142670	W204PP
AE25304	2 1/8 B/P11877	AH139296	GE35KRRB	AN15033N	RA106RR
AE26115	GVFDR1 B/P 11879	AH139297	GE40KRRB	AN15150N	S8PP
AE26118	G52MSA ZP	AH13964	G1013KRRB	AN151866	9103PP
AE26161	G62MSA ZP	AH13965H	S1013K	AN152129	RCJN 1 3/4 A2603
AE27278	GRFD 1 3/8 B/P 11950	AH13992H	S1101K	AN152140	1 1/4 Unit B/P 11128
AE27909	BB010-6015S A3409	AH140495	YAE25RR	AN15237N	010-10853
AE28127	G1106KRRB FS385	AH14389H	W206PP FS149	AN15238N	RCJN 1 1/2
AE28285	GRA100RRB	AH156244	GC1100KRRB A4344	AN160291	203NPP9
AE28286	G1202KRRB	AH157168	B/P12886	AN190260	304NPP
AE28288	RA102RR	AH159863	1100KPP3	AN190738	GRFD 1 1/2 FS531
AE28289	GRA014RRB	AH17132H	P204KRRNP2	AN210540	203KRR2 A3324
AE28291	GRA103RRB2	AH210539	206KRR6	AN210541	RA103RRB2 FS615
AE28293	RA106RR	AH63076	203KRR14	AN212132	5203KYY2
AE28294	206KRR4	AH64434	RA115RRB	AN274105	RAK 1 1/2
AE28295	RA109RRB	AH66431	VFD 1 15/16	AN281242	5206RR2
AE28296	RA104RRB	AH66434	RA115RRB	AN281357	BB203KYY2 A2139A
AE28297	RA100RR	AH76337	10874 PULLY	AN30569N	010 10731
AE29267	GRA104RRB	AH76970	010 5017S	AN32567N	RA012RR
AE29309	B/P 12137	AH77172	008-10874A A1375	AN32735	G62MSA2 ZP

## JOHN DEERE (continued)

## Full Line of Farm Equipment

Part no.	Fafnir no.	Part no.	Fafnir no.	Part no.	Fafnir no.
AN32790	GRA102RRB	F30	012 11517	JD39103	RAE30RRB
AN50352N	RA104RRB	F416	203KRR6	JD39104	E35KRRB
AN50684N	G62MSA5 ZP	F9	G1112KRR	JD39105	E25KRRB
AN50685N	G72MSA2 ZP	G6661E	80MS ZP	JD39106	E30KRRB
AN50686N	G52MSA3 ZP	H23469H	62MS3 ZP	JD39107	GE40KRRB
AN50748N	1100KRRB E9695	H23581H	72MS ZP	JD39109	RAE40RRB
AN71862	RTU 1 1/4	H29532H	47MS ZP	JD7120	5208W
AN85109N	RCJN 1 7/16 A2603	H29974H	52MS3 ZP	JD7125	209KG FS153
AP19769	W308PP FS149	H35465H	52MS2 ZP	JD7126	204KRR2 A3409
AP20211	1103KLL	H62535	40MS ZP	JD7128	207K
AP20411	G1104 KRRB	H72921	52MSTR ZP	JD7129	9105K
AP20720	S1110K	H75353	72MS ZP	JD7130	9103K
AP22655H	W305PP FS149	H75385	90MS ZP	JD7131	9106K
AP22754H	1104KLL FS149	H76272	62MSTR ZP	JD7132	208KG Wireloc
AP24917	010-10483	H76654	52MS ZP	JD7140	209KRR3 A3409
AP26052	G1104KLLB FS149	H76961	72MST ZP	JD7141	203KLD
AP26398	203KRR6	H83669	100MS ZP	JD7142	204NPP
AR26845R	P9113KDD3	H84356	G52MSB2 ZP	JD7143	204NPP7
AR26981R	9117K3	H85011	62MS1ZP	JD7144	205NPP
AR27447	9114KDD3	H85925	52T2 Top Strap	JD7145	9107K
AR43084	9115KDD3	H85926	52B Bottom	JD7147	207NPP
AR541N	010-10601	H93864	G62MSA8 ZP	JD7149	205KDD
AT23189	P200PP Z1 FS50160	H94995	85MS3 ZP	JD7155	308K
AT25143	GRFDRC 1 3/4 B/P 11723	H97602	G80MSB7 ZP	JD7156	P206KD
AT41309	209-10	H97606	G80MSA7 ZP	JD7158	205RR2
AT49063	PB 5/8	JD10006	G1108KPPB3	JD7159	208W
AV12130	2 3/16 B/P 11249	JD10007	G1103KPPB4	JD7160	206KRR8
AW14341	RAL014NPPB	JD10008	203KRR5 A3409	JD7161	203PPB
AW14374	VAK 1	JD10010	9111KDG FS153	JD7162	202NPP11
AW17844	RA200RRB	JD10011	210KD	JD7163	208KRR2
AW18483	012 8012S	JD10017	GN204KRRB3	JD7166	L308
AW20931	RAE35RRB	JD10018	J310NPP A3366	JD7172	200KRR3
AW20945	RAE45RRB	JD10020	1108KPPB3	JD7180	203K
AZ19427	RAE35RRB	JD10032	9115K	JD7188	206KL
AZ19970	RAE17RRB	JD10033	GE50KRRB	JD7190	207W
AZ20030	SE17K	JD10034	SE50K	JD7191	208W
AZ20216	9109P	JD10060	RA102RRB E9695	JD7195	5207W
AZ20539	SNE50K	JD10091	206KRR14	JD7196	206KG
AZ10020	SE35K	JD10091	206KRR14	JD7198	207KDD
AZ10044	SE25K	JD10092	RA102RR E9695	JD7199	207KDG
AZ10045	SE30K	JD10092	RA102RR E9695	JD7660	305WD FS118
B17571B	52PBS	JD10113	305K	JD7661	205KD
B17574B	40MST ZP	JD10120	207W	JD7663	7209FT
B30418	P205NPP4	JD10123	RA102RR A3045	JD7664	206W
B34214	G100MSB ZP	JD10123	RA102RR A3045	JD7665	P306W
B34215	GW211PPB9	JD10124	205PP10	JD7672	P308WG Wireloc
C10606C	52MS2 ZP	JD10125	205PPB13	JD7673	305W
C12865C	52MS5 ZP	JD10131	200K	JD7674	308W
C13434C	52MS6 ZP	JD10131	200K	JD7675	308WD
C16979	GRA103RRB	JD10151	GRAE50RRB	JD7677	204K
C20097	47LSTR	JD10152	GRAE25RRB	JD7678	205K
C3056E	62MS ZP	JD10158	RA103RR2 E9695	JD7679	7213FT
C3994E	72MS ZP	JD10161	203KRR16 E8728	JD7681	206K
C4014E	S1108KT3	JD10180	RA108RR	JD7682	209W
C4202E	85MS ZP	JD10181	38PP2	JD7684	7210FT
CH17453	R211NPP	JD10181	38PP2	JD7686	207W
D10258DN	9105P	JD10208	9308K	JD7688	P208K
E10018E	62MSTR ZP	JD10209	207P	JD7689	306K
E10721E	62MS2 ZP	JD10210	9107P	JD7690	205KL
E16658	52MS7 ZP	JD10260	W208PPB6	JD7691	212W
E38105	72MS3 ZP	JD10267	9117NPPB	JD7692	209K
E39751	G85MSB5 ZP	JD10285	GE30KRRB	JD7693	306KG
E41031	52MS10 ZP	JD10288	9110PP	JD7694	207WD
E41578	47MS ZP	JD10296	W206KRP3	JD8239	P204RR6
E50822	G80MSB ZP	JD10310	206KR14	JD8421	208NPP85
E54362	80MS4 ZP	JD10312	210P	JD8504N	203KDD
E54498	G62MSB3 ZP	JD10343	GE55KRRB	JD8505	210W
E54498	G62MSB ZP	JD10387	G1106KRRB5	JD8506	309WD
E54936	72MS6 ZP	JD39102	RAE25RRB	JD8507	209KDG

JOHN DEERE (continued)

Full Line of Farm Equipment

Part no.	Fafnir no.	Part no.	Fafnir no.	Part no.	Fafnir no.
JD8508	210KDG	JD8665	RA100RRB	JD9292	9111K
JD8510	9109K	JD8667	W210PP2	JD9293	205P
JD8511	2020D2	JD8668	SN203K	JD9295	203KRR5
JD8514	9108K	JD8669	GN203KRRB	JD9296	204RR6 A3812
JD8517	9112PP	JD8673	206K PPB5	JD9299	305PP
JD8518	307K	JD8674	RA102RR E8728	JD9301	207KRR3
JD8520	309K	JD8676	XLS56K	JD9302	G1100KRRB
JD8521	307WDN	JD8677	S8KD	JD9303	GN11SKLL
JD8522	201KLL3	JD8680	205KYV3	JD9304	G1202KRRB
JD8524	208KRR4	JD8682	GN115KRR	JD9305	1112KRRB
JD8530	206KRR3	JD8683	GN200KRR	JD9307	G1215KRRB
JD8531	5206W	JD9201	S1108KT	JD9308	S1215K
JD8532	9108PP	JD9202	RA108RRB	JD9309	RA008RRB
JD8533	S10K	JD9203	7304W	JD9310	S1008K
JD8534	9107PP A1890	JD9204	RA107RRB	JD9311	G1203KRRB
JD8535	203PP FS50387K	JD9207	RA014RR	JD9313	206KRRB6
JD8537	212K	JD9208	206NPP	JD9314	207KRRB10
JD8539	W208K2	JD9209	RA106RRB	JD9315	1102KRR
JD8540	304NPP	JD9211	P305KD A1890	JD9316	G1104KRRB
JD8541	310WG FS153	JD9213	207KRR	JD9317	205KR4
JD8542	P204KD	JD9214	203KRR2	JD9319	G1106KRRB
JD8544	S1103K3	JD9217	RA012RRB	JD9320	213K
JD8545	RA103RRB2	JD9218	S1012K	JD9321	P205NPP
JD8547	206NPP	JD9219	RA103RRB	JD9323	9107NPP
JD8548	212NPP	JD9220	S1103K	JD9324	304NPP
JD8551	S1102K	JD9221	RA103RR	JD9325	S8K
JD8552	RA102RRB	JD9228	9110KG Wireloc	JD9329	9114K
JD8554	S1100K	JD9229	203PP8	JD9331	205KR3
JD8555	RA100RRB	JD9237	202NPP17	JD9332	G206KRRB6
JD8556	213W4	JD9238	206KRR4	JD9333	206KRR13
JD8558	1103KB2	JD9239	P204RR6	JD9334	GRA108RRB
JD8560	202NPP17	JD9241	9111PP	JD9335	GRA100RRB
JD8561	308WDDN	JD9242	RA012RR	JD9336	GRA106RRB
JD8562	RA014RRB	JD9244U	208KP2	JD9338	206KRR6
JD8563	S1014K	JD9245	209PP	JD9339	G1112KRRB
JD8565	W208K3 A1347	JD9246	1102KRRB	JD9340	GN112KRRB
JD8567	202KL	JD9247	204KD	JD9341	SN112K
JD8568	9110K	JD9248	W208PPB5 FS544	JD9342	203NPPB8
JD8569	202NPP9	JD9249	206KRRB3	JD9343	308K
JD8571	203KRR3	JD9250	5307W	JD9344	207K
JD8573	203NPP9	JD9254	S1203K A1058	JD9345	P208K
JD8576	S1106K	JD9255	1203KRRB	JD9349	P206KP2
JD8577	204KTD	JD9256	W306PP	JD9350	W208PP5
JD8578	RA112RRB	JD9258	307KG	JD9353	206KPP3
JD8579	S1112K	JD9260	205KRRB2	JD9356	RA106RR
JD8580	9109PP	JD9261	P9113KD	JD9357	RA102RR
JD8581	9114PP	JD9262	206KRD	JD9361	308GW3
JD8583	P206K	JD9265	9113K	JD9362	9115PP
JD8584	P9110PP	JD9266	204RR6	JD9363	306NPP
JD8585	204KLD	JD9267	1107KRRB	JD9364	1200KRRB
JD8593	RA104RRB	JD9268	309NPP FS253	JD9365	S1200K
JD8594	S1104K	JD9270	P307WG	JD9366	1103KRRB
JD8597	RA100RR	JD9272	1014KRRB	JD9367	G1103KRRB3
JD8598	RA109RRB	JD9273	1100KRRB	JD9373	W208PPB16
JD8599	S1109KT	JD9274	1103KRRB3	JD9374	7207W
JD8641	202KRR6	JD9275	1106KRRB5	JD9380	9116KG
JD8646	203RR3	JD9276	1108KRRB	JD9383	308WG
JD8647	GW208KRRB5	JD9277	1110KRRB	JD9395	203KDD
JD8648	408WD	JD9278	P311W	JD9396	208PP
JD8649	204RR6 E8728	JD9279	211K	JD9397	G1104KPPB2
JD8650	207KRR17	JD9280	9112KG	JD9399	200PP
JD8653	9103PP	JD9281	203KD A1890	JD9400	GRA103RRB2
JD8657	GW211PPB11	JD9283	214K	JD9401	G1102KPPB3
JD8658	GW214PPB6	JD9285	206KRR3	JD9404	GN108KRR
JD8660	9111KG	JD9287	204NPP	JD9405	GN112KRR
JD8661	1104KRR	JD9288	RA010RRB	JD9406	210PP
JD8662	1014KRR	JD9289	S1010K	JD9407	G206KPPB4
JD8663	S1107K	JD9290	J209KD A1890	JD9411	GN106KRR
JD8664	W209PPB8	JD9291	1203KPPB4	JD9414	GRA014RRB

## JOHN DEERE (continued)

## Full Line of Farm Equipment

Part no.	Fafnir no.	Part no.	Fafnir no.	Part no.	Fafnir no.
JD9415	J206K14	JD9450	P208NP FS167E	L2289C	207KRR8
JD9416	GRA104RRB	JD9451	G1104KRXB2	LB554DN	RA102RR
JD9417	RAL100NPPB	JD9452	1103KPPB4	M63180	J205NPP FS219
JD9418	LS100K	JD9454	G1115KRRB	M69015	RA100RRB
JD9420	207KRRB17	JD9455	S1115K	M69259	G52MSB ZP
JD9421	208NPPB5	JD9456	S8PP	N100079	62MS10 ZP
JD9422	1112KRPB2	JD9457	G207KRRB3	N10569	52MSTU ZP
JD9424	GN114KRRB	JD9459	J204PP A2374	N11594N	62MS B/P 10938
JD9425	SN114K	JD9460	1106KPPB2	N120535	62MST2 ZP
JD9426	G1110KRRB	JD9462	GRA106RRB	N120968	62MST4 ZP
JD9427	G1110KRRB4	JD9466	SM1108KTS	N120969	62MST3 ZP
JD9428	SN115K	JD9467	305NPP	N13997	G82MSB4 ZP
JD9429	GN115KRRB	JD9479	P208K	N140506	G80MSB ZP
JD9430	G1107KRRB	JD9480	309WG	N14359	72MSA ZP
JD9431	G1200KRRB	JD9481	208K	N157259	G62MSB6 ZP
JD9432	308KG	JD9482	209WG	N15764N	62MST ZP
JD9433	212WG FS153	JD9483	206KRR6 FS282	N161043	CJ40E48 28
JD9434	G1108KRRB	JD9484	213WG FS153	N34367N	G62MSB ZP
JD9436	204KD FS253	JD9488	207KRR12 PRB	N52234N	G72MSB ZP
JD9437	9114K	JD9490	GE25KRRB	N52256N	G62MSB5 ZP
JD9438	G206KPP4	L1910C	1200KRRB	N52258N	G52MSB ZP
JD9439	310K	L1911C	S1200K	N70674N	80MS ZP
JD9440	213KG FS153	L1912C	RA103RR2	N72921N	52MSTR ZP
JD9442	1014KPPB3	L1921C	52MS ZP	P45502	62MS ZP
JD9444	G1207KRRB	L2078C	G1202KRRB	T20549T	72MSA2 ZP
JD9445	S1207K	L2079C	S1202K	U13820U	72MS2 ZP
JD9449	P203PP E9964	L2287C	52MST ZP		

## JOHNSON FARM MACHINERY

## Tomato Harvesters

Part no.	Fafnir no.	Part no.	Fafnir no.	Part no.	Fafnir no.
25113	RAK 1	66204	TCJT 1 <sup>7</sup> / <sub>16</sub>	66596	FLCT 1
30317	GVFTD <sup>1</sup> / <sub>4</sub>	66218	TCJ <sup>15</sup> / <sub>16</sub>	66597	FLCT 1 <sup>1</sup> / <sub>4</sub> S
61136	RAK 1 <sup>1</sup> / <sub>2</sub>	66252	TAK 1 <sup>1</sup> / <sub>4</sub>	66599	RCJT 1 <sup>11</sup> / <sub>16</sub>
61137	G1108KRRB	66320	TCJ 1 <sup>11</sup> / <sub>16</sub>	66606	RCJ 1 <sup>7</sup> / <sub>16</sub>
61143	RCJ 1 <sup>1</sup> / <sub>2</sub>	66466	TCJT 1	66607	TCJ 2 <sup>3</sup> / <sub>16</sub>
6244	GVFTDS 1 <sup>1</sup> / <sub>4</sub>	66566	G1100KPPB3	66666	RCJ 1 <sup>15</sup> / <sub>16</sub>
6327	TCJ 1	66568	G1104KPPB2	66683	TCJ 1 <sup>1</sup> / <sub>2</sub>
64107	RCJT <sup>3</sup> / <sub>4</sub>	66572	G1107KPPB2	67108	203KRR2
64166	RAK 1 <sup>5</sup> / <sub>16</sub>	66573	G1111KPPB4	67116	TCJ 1 <sup>1</sup> / <sub>4</sub>
64170	RCJT 1	66574	G1115KPPB3	67167	RCJT 1 <sup>1</sup> / <sub>4</sub>
64184	RCJ 1 <sup>11</sup> / <sub>16</sub>	66575	G1203KPPB4	67315	RAK 1 <sup>3</sup> / <sub>16</sub>
64210	RCJT 1 <sup>7</sup> / <sub>16</sub>	66583	RAK 1 <sup>1</sup> / <sub>4</sub>	67352	GFLCT 1 <sup>1</sup> / <sub>4</sub>
64558	RCJ 1 <sup>3</sup> / <sub>4</sub>	66584	RAK 1 <sup>7</sup> / <sub>16</sub>	67416	RAK 1 <sup>11</sup> / <sub>16</sub>
66102	TTU 1 <sup>7</sup> / <sub>16</sub>	66585	RAK 1 <sup>15</sup> / <sub>16</sub>	67474	G1115KRRB
66106	TAK 1	6586	RAK 2 <sup>3</sup> / <sub>16</sub>	68127	GVFD 1 <sup>11</sup> / <sub>16</sub>
66114	TCJ 1 <sup>7</sup> / <sub>16</sub>	66587	TAK 1 <sup>11</sup> / <sub>16</sub>	68506	GVFTD 1
66186	FLCT 1 <sup>1</sup> / <sub>4</sub>	66588	TAK 1 <sup>15</sup> / <sub>16</sub>		
66202	TCJT 1 <sup>11</sup> / <sub>16</sub>	66589	TAK 2 <sup>3</sup> / <sub>16</sub>		

**KELLEY MANUFACTURING COMPANY**

**Peanut Shaker-Inverters / Planters, Rotary Hoes/Tillers, Spring Tooth Harrow, Disk Bedder**

Part no.	Fafnir no.	Part no.	Fafnir no.	Part no.	Fafnir no.
02A51-018	GRA112RRB	03A51-002	RA103RRB	04A51-001	205PPB7 FS544
02A51-025	GN112KRRB	03A51-003	62MS ZP	04A51-002	52MST ZP
02A51-035	G100MSA ZP	03A51-006	207K	04A51-004	205PP9 FS576
02A51-036	G100MSB ZP	03A51-008	205KP6 FS576	05A51-001	GW209PPB4
02A51-037	G85MSA ZP	03A51-016	RA104RRB	06A51-001	W208PP5 FS544
02A51-038	G85MSB ZP	03A51-017	1103KPPB3	14A51-001	H204RR9
02A51-039	SN112K	03A51-019	72MS ZP	JD9340	GN112KRRB
02A51-042	RA106RRB	03A51-020	62MSTR ZP		
02A51-043	72MS3 ZP	03A51-021	RA100RRB		
03-051-015	204RR7 E8728	03A51-022	62MST ZP		

**KEWANEE**

Part no.	Fafnir no.	Part no.	Fafnir no.	Part no.	Fafnir no.
A5602	RA015RRB	B-2951	B/P 12379	X5616	62MS ZP
A5608	S1014K	B1905	B/P 12066	X5632	RA100RR
A5611	VFTD 1	B2055	W211PP3 A2250	X5633	RA100RRB
A5612	RA100RR	B2151	GW208PPB5 A2250	X5634	52MS ZP
A5613	RA100RRB	B2152	G80MSA2 ZP	X5641	S1103K
A5614	RA015RRB	B2153	G80MSB ZP	X5642	S1100K
A5615	RA103RRB	B2203	G80MSB ZP	X5670	206KD
A5616	RA014RR	B2204	G80MSA2 ZP	X5672	52MST ZP
A5623	W208PPB6 A2250	B2246	GW210PPB4 A2250	X5673	VFTD 1
A5624	80MS ZP	B2247	G90MSA ZP	X5677	9014K
A5630	C1015KRRB	B2248	G90MSB ZP	X5679	306NPP
A5631	C205	B2288	G90MSA ZP	X5681	205K
A5633	RAL103NPPB	B2289	G90MSB ZP	X5682	RA014RR
A5634	LS103K	B2289	GW211PP2	X5683	RA100RRB
A5635	55LSTR	B2289	W214PP2	X5686	9104P
A5636	RAL103NPPB	X5610	S1015K	X5688	205P
A5636	206KRRB6	X5615	RA103RRB		

**KOEHRING**

**Forage Harvesters, Blowers, Sand and Salt Spreaders**

Part no.	Fafnir no.	Part no.	Fafnir no.	Part no.	Fafnir no.
403V1774	5218W BR	600-02027	206PP	600-03020	RA112RRB
403V2033	9114P	600-02028	9100NPP	600-03021	RA104RRB
403V2603	220WDN	600-02039	207PP	600-04001	VAS 1 or VAK 1
600-00000	1 1/4 Unit B/P 10768A	600-02040	210P	600-04002	RAS 1 3/8
600-00006	GVFDR 1 1/2 FS528	600-02041	208K	600-04003	VAS 1 3/4
600-00013	RA100RR	600-02042	G1103KRRB3	600-04004	VAS 1 1/4
600-00015	RCJT 1 1/2	600-02044	RA100RR	600-04005	RAK 1 1/2
600-00016	PB 1 1/4	600-02045	9108PP	600-04006	VAS 1 3/4
600-00026	RTU 1 3/4	600-02047	9107PP	600-04007	VAK 1 1/2
600-00034	GVFD 1 1/4	600-02048	208PP	600-04008	VAK 1
600-00036	GVFDS 1 1/4	600-02052	9117K	600-04010	VAK 1 3/8
600-02001	203KRR3	600-02056	203KRR2	600-05000	1 7/16 unit B/P 11734
600-02002	201PP	600-03001	RA103RRB2	600-05001	1 1/4 unit B/P 11758
600-02004	RA100RR E9695	600-03003	RA108RRB	600-05002	1 7/16 unit B/P 11734
600-02005	209KD	600-03004	GRA100RRB	600-05005	VFTDR 1 1/8
600-02006	211NPP	600-03005	G1108KRRB	600-05006	1 1/4 unit B/P 11860
600-02006	211KDD	600-03006	RA100RRB	600-05007	GVFTD 1
600-02008	209KDD	600-03008	GRA103RRB2	600-05008	RCJ 1 3/4
600-02009	204RR6 E8728	600-03009	RAL103NPPB2	600-05009	1 1/4 unit B/P 12109
600-02010	203PP	600-03011	RA106RRB	600-05016	1 1/8 unit B/P 11758
600-02013	P207KL	600-03012	RA114RRB	600-05017	1 1/4 unit B/P 11860
600-02014	307KD	600-03013	RA102RRB	600-05018	1 1/4 unit B/P 11758
600-02016	218WD	600-03014	GRA115RRB2	600-05019	1 7/16 unit B/P 11734
600-02017	205PP	600-03015	GRA112RRB	600-05022	1 3/8 unit B/P 12304
600-02018	W308PP	600-03018	RA106RRB	600-05023	1 1/2 unit B/P 11554
600-02019	203KRR2 FS282	600-03019	RA108RRB	600-05024	1 3/4 unit B/P 11770

## KOEHRING (continued)

## Forage Harvesters, Blowers, Sand and Salt Spreaders

Part no.	Fafnir no.	Part no.	Fafnir no.	Part no.	Fafnir no.
604-00000	62MSTR ZP	604-00018	72MS ZP	604-00505	S1102K
604-00001	62MS ZP	604-00019	52MS ZP	604-00507	LS103K2
604-00007	G62MSA ZP	604-00022	G85MSA ZP	604-00509	S1106K
604-00008	G62MSB ZP	604-00025	G62MSB3 ZP	604-00512	S1115K2
604-00009	80MS ZP	604-00026	90MS ZP	604-00513	S1112K
604-00011	G80MSA ZP	604-00029	G90MSA ZP	604-00514	S1106K
604-00012	G80MSB ZP	604-00030	G90MSB ZP	604-00515	S1108KT
604-00013	52MST3 ZP	604-00033	G85MSB ZP	604-00516	S1112K
604-00014	G62MSA ZP	604-00500	S1103K3	604-00517	S1104K
604-00015	G52MSB ZP	604-00503	S1100K	LOC E51 A	314WDN
604-00017	55LSTR	604-00504	S1107K	M30500	202KLL3 FS167E

## KRAUSE PLOW CORP.

## Disc Harrow

Part no.	Fafnir no.	Part no.	Fafnir no.	Part no.	Fafnir no.
1465-40-0	B/P 12394	40-119	GW209PPB22	750-26-3	G90MSA ZP
2010-41-0	B/P 12319	40-121	GW211PPB21	750-26-4	G90MSB ZP
2010-45-2	GW211PPBB	40-128	DHU 1 1/4 S209	DHU 209	DHU 1 1/4 S209
212-10-3	30MS ZP	40-135	RA100RRB	P1450-10-2	B/P 12318
40-102	208PPB7	40-138	204RY2	P1520-0-20	85MS ZP
40-103	210PPB5	40-155	205KRP2	P212-10-2	W208PPB7
40-104	W209PPB4	40-156	5203KYY2	P350-10-1	W210PPB5
40-105	GW209PPB4	462	9112K	P350-10-2	90MS ZP
40-106	GW210PPB5	612-10-2	GW209PPB4	P412-10-2	W209PPB4
40-109	DHU 1 1/2 R209	612-10-3	G85MSA3 ZP	P442-10-3	B/P 11600 Rubber
40-114	DHU 1 3/4 R211	612-10-4	G85MSB ZP	P880-30-7	205KRRB2
40-118	9112K	750-26-2	GW210PPB5	SK 10-30-81	Unit B/P 12535

## LILLISTON CORPORATION

## Peanut Combine, Edible Bean Combine, Peanut Inverter, Peanut Shaker, etc.

Part no.	Fafnir no.	Part no.	Fafnir no.	Part no.	Fafnir no.
01-61-034	1104KRR	1/500-06-556-4	206KR7	15-50-257	G85MSB ZP
03-61-013	208K	1/500-07-671-2	204RY2	15-61-001	RA100RRB
04-50-010	010-10483	1/500-07-782-8	W208PPB5 FS544	15-61-002	S1100K
04-50-081	RA 1 7/16	1/500-08-886-1	204RR7 TW282	15-61-007	62MST ZP
04-50-124	RASN 1 7/16	10237	203KRR5	15-61-009	S1103K3
04-50-148	010-10731	13-50-037	W209PPB2	15-61-027	52MS ZP
04-50-149	203KRR6	14-61-100	1010KRRB	15-61-110	C1107KRRB
04-50-165	RAT 13/16	14-61-101	40MST ZP	15-61-146	RA010RRB
04-50-196	RAT 1	14-61-102-0	1012KRRB3	20-50-003	1 1/16 K "B" Cap
04-50-199	010-6015S	14-61-103	47MST ZP	20-50-006-7	203KRR2 E8728
04-61-091	RA107RRB	15-16-001	RA100RRB	20-50-012	205KR3
04-61-092	72MS ZP	15-50-015	RAT1 1/4 S	20-50-094	204RR7 E8728
04-61-096	S1100K	15-50-017	RFDR 1 3/4	20-50-125	205KP6 FS576
04-61-099	52MST ZP	15-50-018	RAT 1 7/16	20-50-144	205PP9 FS576
04-61-184	207KRR3	15-50-019	RA112RRB	20-61-001	205PPB7 FS544
05-50-008	RAKN 1 7/16	15-50-023	RAT 1	20-61-001-9	205PPB7 FS544
05-50-009	RAKN 1 1/8	15-50-025	202NPP9	20-61-002	52MST ZP
06-50-003	RAS 1 3/16	15-50-025	7/8 Unit B/P 11040	24-50-033	1010KRR
06-50-012	RAS 1 3/8	15-50-100	RA 1	27-50-003	RA 1 3/16
06-61-013	207K	15-50-116	010-10853	27-50-004	MSTU 1 3/16
09-50-005	72MS2 ZP	15-50-124	RA 1 1/8	27-61-001	RA103RRB
09-61-009	308KG	15-50-129	RASN 1 7/16 B/P 11739	27-61-002	S1103K
09-61-030	RA106RRB	15-50-166	RAT 1 3/16	27-61-003	62MS ZP
09-61-031	S1106K	15-50-181	RFC 1 7/16	27-61-005	S1103K
09-61-032	72MS2 ZP	15-50-234	210K	27-61-008	62MST ZP
1/015-50-116-4	010 10853 Pulley	15-50-252	GC1107KRRB	30-50-088	RFC 1 3/4
1/015-50-254-6	G72MSA2 ZP	15-50-253	GC1112KRRB	30-50-225	307NPP
1/020-50-006	203KRR2 E8728	15-50-254	G72MSA2 ZP	37-61-001	W208PPB12
1/020-61-001-9	205PPB7 FS544	15-50-255	G72MSB ZP	37-61-002	87MS ZP
1/500-05-854-5	1010KRR	15-50-256	G85MSA3 ZP	39-50-025	RFTD 1

**LILLISTON CORPORATION (continued)**

**Peanut Combine, Edible Bean Combine, Peanut Inverter, Peanut Shaker, etc.**

Part no.	Fafnir no.	Part no.	Fafnir no.	Part no.	Fafnir no.
39-50-026	TFD 1	60-15-118	GC1103KRRB3	60-50-119-7	G62MSA5 ZP
40-50-006	GW209PPB8	60-50-021	010-5017S	60-50-120	G62MSB ZP
40-61-001	W209PPB7	60-50-037	7/8 Unit B/P 11040	62-50-020	GVFTD 1
40-61-005	GW209PPB8	60-50-038	1014KRRB	62-50-032	010-10601
500-01-687	RA107RRB	60-50-080	RA100RRB	670375R11	G62MSB ZP
500-01-688	RA103RRB2	60-50-089	GC1108KRRB	69-50-047	S8NPP
500-01-689	RA100RRB	60-50-091	80MS ZP	70-50-001	W208PPB6 FS544
500-01-690	RA013RRB	60-50-097	010-11515	70-50-002	80MS4 ZP
500-01-941	S1012K	60-50-106	GC1100KRRB	79-50-006	W208PP5 FS544
500-01-942	RA012RRB	60-50-107	G52MSA3 ZP	937518R91	G62MSA5 ZP
500-02-188	VFTDS 1 1/4	60-50-108	G52MSB ZP	JD9209	RA106RRB
500-06-364	RA102RRB	60-50-118	GC1103KRRB3		
500-06-556	206KR7	60-50-119	G62MSA5 ZP		

**LML CORPORATION**

**Agricultural Materials, Handling Equipment, Augers, Conveyors, etc.**

Part no.	Fafnir no.	Part no.	Fafnir no.	Part no.	Fafnir no.
10030	40MS ZP	A10033	RA012RRB	A21343	VCJ 1 1/4
10031	47MS ZP	A10139	RA010RRB	A21349	RAK 1 11/16
15341	52MS ZP	A15432	RA014RRB	A21352	VAK 1 7/16
15407	010-10482	A16878	RA 7/8	A21834	G1103KRRB4
18553	62MS3 ZP	A17230	010-10601	A22157	VAK 1 1/4 S
18554	RA101RRB	A18301	S1014K	A22246	TFD 7/8
18555	S1101K	A18554	RA 1 1/16	A25085	RA 1 1/4
18754	RA014RRB	A19964	RA 5/8	A25085	RA103RRB2
21083	RAL 5/8	A20004	VFD 1 1/16	A25086	RA103RRB2
22473	VFD 1 1/2	A20648	VFD 1 1/4 S		
A10032	RA008RRB	A21006	VFD 7/8		

**LOCKWOOD CORPORATION**

**Beet and Potato Harvesters and Planters, Orchard Sprayers, Irrigation Equipment**

Part no.	Fafnir no.	Part no.	Fafnir no.	Part no.	Fafnir no.
0013-39	52MST ZP	18041-0	RCJ 1 7/16	202-57	1100KRRB
0013-40	62MST ZP	200-105	RA012RR	202-59	P9112PP
0013-42	62MSTR ZP	200-110	RAK 2 15/16	202-66	RAL100NPPB
0013-43	72MSTR ZP	200-112	RCJ 1 1/2	202-71	208KRR4
0013-59	47LST	200-113	RCJO 1 11/16	202-73	205KRR6
0013-64	40MST ZP	200-35	RFTD 1	202-74	1107KRRB
0124-0136	S1008K	200-38	RCJT 1	202-76	RA112RR
0124-0138	S1103K3	200-68	RCJ 1 15/16	202-81	1107KRR
0124-0139	S1106K	200-73	RAKH 2 7/16	202-82	RA008RRB
0124-0140	S1107K	200-79	RCJ 2	202-86	307NPP
0124-0142	S1112K	200-98	RTUS 1 1/4	202-87	205KRR7
0124-0143	S1115K2	201 68	VFD 1 3/8	202-88	205PP12
0124-0147	LS100K	202-11	1104KRRB	202-93	203KRR6
0124-24	S1100K	202-12	1112KRRB	21763-1	47MST ZP
0124-26	S1104K	202-20	RA100RRB	22283	RA102RRB
0400-41	010-10731	202-21	RA100RR	240-637	010-12107
0400-44	008-10483	202-3	209K	292-58	1115KPPB4
0400-46	010-10653	202-38	1106KRRB	410-227	012-8012S
0400-47	008-10853	202-42	205PP	8156-0	VAS 1 1/8
0400-48	010-11515	202-45	RA103RRB2	A0202-0021	RA100RR
0402-39	010-10483	202-46	1115KRRB2	A205-65	200KRR3
0410-171	010-11536	202-49	202KRR7	AW18483	012 8012S
0411-102	010-6015S	202-5	306K	C14118	010 60153
121219-1	202NPP9	202-52	G1106KPPB2	H4627-3783	RCJ 2 1/4
121749-1	RA014RRB	202-53	1103KRRB3	H4627-3799	GRFDR 1 11/16
121751-1	S1014K	202-54	G1103KPPB4	H4627-6263	1015KRRB
121762-1	RA012RRB	202-55	1100KPPB3	H4721-0406	206K
124-137	S1012K	202-56	1100KRR	L-00013-00040	62MST ZP



## LOCKWOOD CORPORATION (Continued)

## Beet and Potato Harvesters and Planters, Orchard Sprayers, Irrigation Equipment

Part no.	Fafnir no.	Part no.	Fafnir no.	Part no.	Fafnir no.
L-00013-00071	90MS ZP	L-00202-00021	RA100RR	L-00202-00058	1115KPPB4
L-00124-00024	S1100K	L-00202-00038	110GKRRB3	L-00202-00073	205KRR6
L-00124-00139	S1106K	L-00202-00045	RA103RRB2	L-00202-00087	205KRR7
L-00124-00142	S1112K	L-00202-00046	1115KRRB2	L-00202-00093	203KRR6
L-00124-00143	S1115K2	L-00202-00052	G1106KPPB2	L-00202-00105	BB203KRR2 A2139A
L-00200-00122	1 Unit B/P 12455	L-00202-00052	1106KPPB2	L-00202-00113	RA115RRB2
L-00202-00011	1104KRRB	L-00202-00053	1103KRRB3	L-00202-00637	010-12107
L-00202-00012	1112KRRB	L-00202-00056	1100KRR	L-00410-00227	012 8012S
L-00202-00020	RA100RRB	L-00202-00057	1100KRRB	LA-0202-0088	205PP12 FS544

## LONG MANUFACTURING N.C.

## Tobacco Harvesting Equipment, Disc Harrows

Part no.	Fafnir no.	Part no.	Fafnir no.	Part no.	Fafnir no.
170410	62MS ZP	9-90093	W208PPB11	9-90270	208KD
171882	008 10601 Pulley	9-90096	52PB base	9-90278	S109KG
755159	G72MSA ZP	9-90096	52T2 top strap	9-90281	204PP
755160	G72MSB ZP	9-90097	RA012RR	9-90282	9100KDD
9-90001	1107KRR	9-90101	204KG	9-90283	RCSM ¾
9-90002	S1107K	9-90104	S1012K	9-90284	GRA104RRB
9-90003	1112KRR	9-90104	204K	9-90288	GW211PPB3
9-90004	S112K	9-90105	204K	9-90289	203NPP
9-90007	203P	9-90106	204KG	9-90291	RA106RRB
9-90008	203K	9-90111	205K	9-90292	S1106K
9-90009	206PP	9-90112	305PP	9-90295	RA104RRB
9-90014	010-10731	9-90125	9107K	9-90298	G1215KRRB
9-90016	207K	9-90134	9109PP	9-90302	9120KDG
9-90017	RAK 1 ¾	9-90136	9113PP	9-90303	307K
9-90018	RA100RRB	9-90137	205KD	9-90314	RA107RRB
9-90019	RA014RRB	9-90138	1104KRR	9-90315	TAK 1 ¾
9-90023	203KDD	9-90144	9111PP	9-90316	202NPP9
9-90024	210PP	9-90155	W209PPB7	9-90317	206K14
9-90025	B/P 10605	9-90157	1110KRRB	9-90321	207KRRB12
9-90036	RA103RRB	9-90158	S1100K	9-90324	G1112KRRB
9-90043	1112KPPB4	9-90159	206KRR4	9-90325	206KRRB6
9-90044	203KDD	9-90164	206KRR4	9-90326	RAK 1
9-90047	RCJT 1	9-90172	305PP	9-90327	RAK 1 ¼
9-90048	RAS 1	9-90175	204KRN2	9-90328	52MSTR ZP
9-90051	203PP	9-90181	RA100RR	9-90330	FLCT 1
9-90052	S1100K	9-90182	62MST ZP	9-90331	MSTU 1
9-90056	1112KRRB	9-90185	203KRR2	9-90332	PBC 1
9-90057	203KD	9-90186	RA012RRB	9-90333	FLCT 7/8
9-90059	RA100RRB	9-90187	204PD	9-90334	PBC 7/8
9-90060	RA102RR	9-90192	S1012K	9-90338	GVFD 1 7/16
9-90061	RA103RRB	9-90194	1112KRRB	9-90340	1010KRR
9-90063	203PP	9-90199	9111K	9-90340	(Also RA010RR)
9-90070	RA102RRB	9-90254	206K	A723414	010-6015-S
9-90073	RA108RRB	9-90255	G1100KRRB	A723465	47MST ZP
9-90076	208KRR4	9-90256	G1102KRRB	A745535	72MS ZP
9-90083	008-10650	9-90259	GN211KLLB	A745771	62MST ZP
9-90087	S1103K	9-90266	LSAO 2 11/16	A746750	010-5017-S
9-90091	RA12RRB	9-90268	RA101RR	A749764	52MST ZP
9-90092	W208PPB12	9-90269	S1101K		

**MASSEY FERGUSON**

**Full Line of Farm Equipment**

Part no.	Fafnir no.	Part no.	Fafnir no.	Part no.	Fafnir no.
1005590M1	204KLLG2	447899M1	W208PPB12	833593M1	008-10601
1018820M1	PTO B/P 10871	447900M1	87MS ZP	833612M1	9103KD
1033135M1	008-10482	449432M1	GW211PPB3	833693M1	S8KDD
1033449M1	PBS 1 1/4	486278M2	H208KRR4	833695M1	P206KP2
1440494X1	206K	536953M91	RCJC 2 3/16	833770M1	208NPP
1440545X1	212K	542906M1	RA010RRB	833809M3	N203KPPB2
1442497X1	9103P	664175-R92	RA108RRB	833939M1	RA107RRB
14698A	207KD	831233M1	RA104RRB	834066M1	1108KRRB
1495801M91	VFTDR 1 1/4 S	831469M1	208WDD	834067M1	G2MS3 ZP
1496116M91	RAK 2 15/16	831514M1	RA104RRB	834183M1	5203K
1508347M91	VAK 1	831601M1	G1112KRRB	834197M1	RA014RRB
1508409M91	010-10482	831783M1	308NPPB	834199M1	RA100RRB
175047M1	202NPP	831822M1	207PPB	834206M1	RA115RRB
18886A	205K	831876M1	G1112KRR	834313M1	207NP
195493M1	210KDDG	831877M1	G1112KRRB	834367M1	W208PPB6
195494M1	9110KD	831929M1	RA102RRB	834368M1	G1106KRRB
195502M1	208KDD	831951M1	5308W	834836M1	G1108KRRB
195505M1	208WDN	831960M3	W210PPB2	834845M1	VFTD 1 7/16
195507M1	211KD	832087M1	208NPPB	834866M1	1108KRRB
204220M1	206PP	832121M1	1108KRRB	834997M1	307W
22258X	205NPP	832122M1	RA108RRB	835050N4	W209PPB2
22286X	52MS ZP	832210M1	203P	835111M1	204KTD
22512X	S1014K	832305M1	305NP	842-62UM1	RAS 1 3/4
22522X	S1108KT	832396M1	9109PP	842133M1	215WDD
22602X	G1115KRRB	832455M1	1203KRRB	842237M1	206KRR8
22632X	47MS ZP	832519M1	210WDDG FS153	842274M1	G1215KRRB
22690X	RA103RRB2	832540M1	W211PP133	842303M1	W209PP85
22691X	62MS ZP	832628M1	206KRR4	842333M1	210P
29963X	203PP	832629M1	207KRR3	842374M1	206KRRB
29973X	1103KRRB	832634M3	W208PPB23 FS544	842374M1	206KRR8
29975X	1105KRRB	832651M1	203KRR2	842376M1	RA100RRB E9695
350396X1	204PP	832686M1	204P	842608M1	GC1203KRRB
353102X1	206P	832688M1	201KD	842620M1	RAS 1 3/4
353114X1	RA012RRB	832743M1	203KR2	842623M1	203KRR2 E8728
353128X1	RA101RR	832746M1	RA110RRB	842625M1	RA112RRB
353134X1	RA101RRB	832757M1	008-10601	842696M1	205KRR2
353140X1	207NPP	832768M1	203NPP9	842699M1	RA014RRB
353144X1	305NPP	832811M1	212NPP	842911M1	RAL100RRB
353152X1	204PPB	832934M1	008-10853	843330M1	G62MSA2 ZP
353161X1	RA103RRB	832960M1	203KDD	843331M1	G62MSB ZP
353168X1	RA012RR	833040M2	1 7/16 B/P11303	843332M1	GRA103RRB2
353236X1	209NPP	833273M1	212WD	843332M1	GRA103RRB2
353246X1	306NPP	833351M1	RA106RRB	843448M1	GRA102RRB
353253X1	9110PP	833411M1	P204KRN2	843448M1	GRA102RRB
354353X1	208KG FS153	833416M1	RA108RRB	899377M2	MS114
354919X1	210PP	833447M1	RA010RR	AC1163	307K
354920X1	307NPP	833475M1	PBS 7/8	GA1771	206K
354921X1	308NPP	833512M1	1103KRRB3	GA1773	206K
375025X1	S1103K	833514M1	1012KRRB	GL3429	210K
375030X1	S1012K	833522M1	010-10601	GR1012	206KD
375068X1	1106KRRB	83356M1	RA104RRB	N1568	204K

**MEYER MORTON**

**Elevators, Hay Conditioners, Grain Dryers**

Part no.	Fafnir no.	Part no.	Fafnir no.	Part no.	Fafnir no.
010-10927	010-10927	RA108RRB & Col.	RA108RRB	RAKH 3 7/16	RAKH 3 7/16
010-10482	010-10482	RAK 1 1/4	RAK 1 1/4	RCJ 1 1/2	RCJ 1 1/2
1103KRRB3 & Col.	1103KRRB3	RAK 1 11/16	RAK 1 11/16	RCJ 1 1/4	RCJ 1 1/4
52MS	52MS ZP	RAK 1 3/8	RAK 1 3/8	RCJ 1 3/8	RCJ 1 3/8
52MST	52MST ZP	RAK 1 7/16	RAK 1 7/16	RCJT 1	RCJT 1
62MS	62MS ZP	RAKH 1 15/16	RAKH 1 15/16		
G1106KRRB & Col.	G1106KRRB	RAKH 2 15/16	RAKH 2 15/16		

**MONROE-TUFLINE****Disk Harrows**

Part no.	Fafnir no.	Part no.	Fafnir no.	Part no.	Fafnir no.
W208PPB-11	W208PPB11	W208PPB-12	W208PPB12	W211PP-3	W211PP3

**MOTT CORPORATION****Gang Type Lawn Mowers**

Part no.	Fafnir no.	Part no.	Fafnir no.	Part no.	Fafnir no.
000070	P202KLL2 FS50000	000614	38KDD	00503 (HP 3)	203KTD
000398	G1102KRR	000703 (300413)	203KRR2	00506	206KL
000401	62MS3 ZP	000709	G62MSA5 ZP	00547 (HP-47)	010-10483
000532	206NP	000792	GRA103RRB2	00548 (HP-48)	010-10482
000609	G1102KRRB	000912	GRA102RRB	100061	RCJ 1 1/8
000610	G62MSA ZP	001012	1106KRR3	102002	JW204PR3
000611	G62MSB ZP	001092	1106KPR3		

**NELSON IRRIGATION CORPORATION****Sprinkler Heads, Irrigation Equipment**

Part no.	Fafnir no.	Part no.	Fafnir no.	Part no.	Fafnir no.
6013	9119K FS264	6054	203K FS264	6559	9110K
6046	P203K	6253	9114K	6598	201K

**NEW HOLLAND****Full Line of Farm Equipment**

Part no.	Fafnir no.	Part no.	Fafnir no.	Part no.	Fafnir no.
102122	LAS 1 3/8	140831	RCJC 1	226449A	SN112K
103171	RA010RR	142441	G1112KRRB2	228662	PS1K7
105694	RAK 1 1/4	142694	47MS ZP	228873	RA103RR2
105892	305PP	142695	1012KRRB	232201	PSD 1 1/2
107646	VCJ40	142822	S7KDD	232468	W211PP3
7006	PSD 1	144831	RA110RRB	232471	W208PP5
12094	203NP	146077	RA012RRB	240953	RA108RRB2
121038	GRA100RRB	146347	1204KRRB	242532	GRA103RRB
12124	210PP	163415	208KDD	243023	207W
121602	207KRRB9	163589	P206NPP	247829	G1100KPPB3
128718	010-11313	163641	G1106KRRB	248344	P204KRRB5
130114	RCJ 1 15/16 FS521	165364	GRA014RRB	249781	1102KPPB3
1306656-3	RA100RRB	165385	62MST ZP	253624	204RR7
131230	1102KRRB	165484	P203RR3	25953	207PP
131377A	S1110K	166102	P208K	259922	206KRR3
131573	G1110KRRB	166144	RCJ 1 11/16	261392	9114PP
131574	G1107KRRB	166199	G1102KRRB	271574	1108KRRB
131655	RA100RR	167082	206P	272688	J208KRR4 A4310
132293	RCJ 1 1/2 W/1688B FITT	167137	G1105KRRB	27291	204PP
132295	1102KRR	168103	5209W	273033	RASC 2 15/16
13373	PBS 1	168347	J1106KRR	273034	RAS 2
13382	201KLL3	178215	P204KRRNP2 FS219	273107	RAS 2 15/16
133941	RA112RRB	179760	GRA111RRB	273108	S1215K
134130	RA100RR E9695	1T0043	210K	273109	C215
134384	207KKR3	209861	008-10483 Pulley	273110	S1200K
134686	GRA103RRB2	210040	R203KD	273641	RAK 2 1/4
135099	TCJ 1 3/8 B/P12217	210064	206K	273659	GVFTD 1
135241	206KRRB6	21048	307K	273780	S1204K
135265	62MS9 ZP	212606	GE35KRRB	273806	G1103KRRB3
135423	206KRR6	213388	RAL100NPPB	273817	GRFTD 1 1/4
135483	207KRRB10	213601	42LST	27755	204KLL2
135484	72MS4 ZP	213605	RAL012NPPB	283578	9105PP
136978	72MST ZP	223062	RCJ 2 3/16 FS504	286909	209KRRB2
138174	J308NP A1538	225614	GRA112RRB	309730	RATR30
139368	GRA102RRB	226427	GN112KRRB	321804	RAT 25

**NEW HOLLAND (continued)**

**Full Line of Farm Equipment**

Part no.	Fafnir no.	Part no.	Fafnir no.	Part no.	Fafnir no.
322360	RAE35RRB	54187	A1104K	76802	RA012RR
322572	RATR 30	54770	BB9105KRR2	76836	1102KRRB3
325099	RAE20NPPB	56128	52MST ZP	76891	205TRS2 A3228
325103	RAE25RRB	56617	P203KRR3	76953	SN107K
325106	RAE30RRB	573944	304PP	770370	RA200RRB
333676	9115PP	573944	P304PP	770370	RA200RRB
34439	205PP	3954	304PP	795119	1103KRRB
35404	RA107RRB	574844	RA100RRB	823	RCJ 2 1/8
36403	72MS ZP	575728	008-10601	8257166	9108K
36404	RA107RRB	578189	72MSTR ZP	86001387	YCJ 2 3/16
36404	RA107RRB	578394	RA200RRB	86018126	207PP FS892
36405	S1107K	58106	008 1048PULLEY	86500438	W208PPB5
36406	RA107RRB	58260	9105P	86512385	S10P2
37203	207K	592372	PW205PP	86512386	S10PP2
37206	5210W	59237	205KTT	86512606	W210PP2
38260	S1100K	605032	1108KRR	86516896	311NPP
38261	RA100RRB	605176	GN104KRRB	86523363	J206K14 PRB
38766	RA103RRB2	605177	N107KRRB	86523785	W208PPB16
38767	S1103K3	605185	RA014RR	86548282	GW210PP4
40697	62MS ZP	605355	008-10482	86553237	209KRR3 FS892
412268	RAE35RRB	615015	GN115KRRB3	86559732	RA115RR
412441	GRAE40RRB	622349	GN200KRRB	9608919	FLCT 1 1/4
412693	207P	623731	G80MSB4 ZP	9807906	204RR6 A3812
41286	203K	624518	202NPP E8728	9807955	G1103KPPB4
41448	RA014RRB	63261	RA104RRB	9808111	W209PPB2
42567	S1014K	63262	1012KRR	9808112	207KYY
43048	62MSTR ZP	63263	S1012K	9822112	RA112RR
44457	205TRS2	63264	G1108KRRB	9826722	RA106RRB FS282
445927	RAE30RRB	63265	RA103RRB	9845117	308KDN
44680	910P	63267	RA105RRB	9845118	309K
448872	B/P12511	63268	S1105K	9845576	RA109RR
44936	209NP	63268B	S1103K	9846142	P202NPP
45152	RA108RRB2	635065	202NPP9	9847177	J210KRR
45393	SN106K	63621	RA104RRB	9847701	1112KPPB4
45396	RA100RR	646311	S3KRR10	9848450	201PP
45572	S1108KTS	64988	S1102K4	9860230	209KRR3
45631	S1112K	65391	P203NPP	BV038260	S1100K
45876	S1102K	66005	S1010K	BV045393	SN106K
45882	RA102RRB	66006	RA010RRB	BV047559	1106KRRB
46805	R306K	66263	208NPPB5	BV058106	008-10483 Pulley
46912	85MS ZP	66495	RA104RR	BV165484	P203RR3
47066	RA106RRB	66497	GN106KRRB	BV574844	RA100RRB
47067	S1106K	66553	203RR2 E8728	CL163641	G1106KRRB
47192	R207KRR	666911	RA015RR	CL253624	204RR7 E8728
47216	9103KD	66801	P208K	JD9202	RA108RRB
47559	1106KRRB	66804	S10K	JD9400	RA102RRB
47559	1106KRRB	66911	RA015RR	K4037	1106KRRB
48984	207KDG	66972	208KRR2	LB700497	P204RR6 FS282
49436	205KRR2	671067	203RR5	LOCY183E	SN106K
49633	1112KRRB	685727	G1115KRRB	NDAS4508FF	W208PPB6
50775	205KRRB2	685728	G1200KRRB	T1762712	P202K
511137	52MST ZP	688282	T205TRS2 A3228	TU8587	GN106KRRB
513115	VFTD 1	688425	GW211PPB2	V100407	P201K
513210	010 10874	689205	G1203KRRB	V173	205KG
52236	SN102K	694444	W208KRRB6	V84113	GE40KRRB
52237	GN102KLLB	701298	206KRRB	V84526	GE60KRRB
524121	VFTDR 1	702993	GN115KRRB	X-5615	S1106K
52431	308P	702995	SN115K	X-5615	S1104K
52443	RA108RRB	705211	P204RR6	X774035	RAE50RRB
52444	S1108KT	722003	GE55KRRB		
52447	GN108KRRB	76451	RA203RRB		
52448	SN108K	76683	211RR2		
529148	1014KRRB	76743	S1203K		

## OWATONNA

## Grinder Mixers

Part no.	Fafnir no.	Part no.	Fafnir no.	Part no.	Fafnir no.
010-10041	72MS ZP	010-14048	RCJ 1 ¼	010-32225	G1104KRRB
010-10042	1104KRRB	010-14115	62MST ZP	010-32249	RASN 1 ¼ S
010-10102	204KDD	010-15461	RA102RRB	010-32269	207K
010-10103	205PP3	010-15462	VFDR ¼	010-32281	72MS6 STP ZP
010-10105	1106KRRS	010-15801	72MS ZP	010-32287	72MS2 ZP
010-10178	52MSTR ZP	010-15951	RA108RR	010-32322	100MS ZP
010-10181	1100KRRB	010-16327	203KRR3	010-32334	212K FS50000
010-10214	62MS ZP	010-16328	RA106RRB	010-32341	72MSTR ZP
010-10217	1103KRRB3	010-17080	62MSTR ZP	010-32342	GN111KRRB
010-10218	S1103K3	010-17090	RFDR 1 ¾	010-32358	RA200RRB
010-10284	85MS ZP	010-17317	RCJ 2	010-32359	VFD 1 ¼ S
010-10364	307NPP	010-17394	RFDR 1 ¾	010-32362	S1112K
010-10402	1115KRRB	010-17513	RA104RRB	010-32364	RA107RRB
010-10403	90MS ZP	010-17683	VFDR 1 ⅛	010-32368	306PP FS50000
010-11152	1112KRRB	010-17790	VAK 1 ¼	010-32379	RA203RRB
010-11213	RA100RRB	010-17871	RFDR 1 ⅝	011-10363	207KRR3
010-11398	52MST ZP	010-18119	VFD 1 ¼	095-10043	S1104K
010-11399	PBS 1	010-18984	RCJO 1 15/16	095-10106	S1106K
010-11409	1110KRRB	010-19162	80MS ZP	095-10180	S1100K
010-11697	RA107RBB	010-19215	GN207KRRB	095-10216	S1103K
010-11715	PB 1	010-19249	RCJO 2 7/16	095-11153	S1112K
010-12061	RA103RRB2	010-19501	GN115KRRB	095-11259	S1012K
010-13103	RA107RR	010-20105	VAS 1 ¾	095-11408	S1110K
010-13106	RAS 1 7/16	010-20335	RFDR 1 ½	095-11698	S1107K
010-13116	S10K	010-20412	9111PP	095-15238	S1108KT
010-13178	PBS 1 ¼	010-21609	RCJ 1 ⅝	095-18770	S1103K3
010-13688	RCJ 1 ½	010-22244	RASC 2	1253246 C91	RFDR 1
010-13783	RA103RR2	010-26432	RCJC 1 ¼	260-10558	008-10483
010-13790	RA100RR	010-27751	VFDR 1 ½	260-11235	010-10601
010-13819	1012KRRB	010-27862	VDF 1 ½	260-11236	010-10482
010-13822	202PP2	010-28154	RFDR 1 ¼	260-16040	008-10601
010-13825	47MSTR ZP	010-28184	RFDR 1	260-25827	010-11515
010-13893	RAK 1 ¼	010-30122	RAS 1 ½	260-28264	008-11515
010-14045	RCJ 1 ¾	010-30523	RFC 1 ¾	370-17969	010-4018S
010-14046	G1108KRRB	010-31091	RFD 1 ¼	370-18061	010-50175
010-14047	G1108KRRB	010-32203	RAK 1 ⅝	370-32007	010-60155

## PITTSBURGH FORGINGS COMPANY

## Disc Harrows

Part no.	Fafnir no.	Part no.	Fafnir no.	Part no.	Fafnir no.
106801	205KR3	FG-40487	G85MSA4 ZP	PDL-36331	85MS2 ZP
113903	W209PPB2	FM-37178	208KP2	PL-42106	205KR3
113904	85MS2 ZP	P-9613	203KRR2	PL-42201	205KR3
58190	203KRR2	PAL-34392	W208PPB13	PW-35501	W208PPB5 FS544
FG-40485	GW209PPB2	PBL-10355	206KRRB3	PW-35502	80MS5 ZP
FG-40486	G85MSB2 ZP	PDL-36330	W209PPB2		

## POUNDS MOTOR COMPANY

## Tree Hoe, Tree Banker, Duster Rotovator, Chopper, Grove Harrow, Water Winch

Part no.	Fafnir no.	Part no.	Fafnir no.	Part no.	Fafnir no.
010-5017S	010-5017S	RAK 1 ¾	RAK 1 ¾	TAK 1 ¾	TAK 1 ¾
80MS	80MS ZP	RAK 1 7/16	RAK 1 7/16	TAK 1 7/16	TAK 1 7/16
P204RR6	P204RR6	RAK ¾	RAK ¾	TAK 2 3/16	TAK 2 3/16
PBS 1	PBS 1	RAK 7/8	RAK 7/8	TCJ 1 ¾	TCJ 1 ¾
RAK 1	RAK 1	RCJ 1 7/16	RCJ 1 7/16	VAK 1 ¾	VAK 1 ¾
RAK 1 ¼	RAK 1 ¼	RCJ 1	RCJ 1	W208PPB12	W208PPB12
RAK 1 3/16	RAK 1 3/16	RCJTC 1	RCJTC 1	W208PPB6	W208PPB6

**POWELL MANUFACTURING COMPANY**

**Tobacco Harvesting Equipment: Combines, Aerotoppers, Harvesters, Curing Barns**

Part no.	Fafnir no.	Part no.	Fafnir no.	Part no.	Fafnir no.
004-0652	006-11520A	004-1811 A	G1100KPPB3	004-2006A	RA012RRB
004-0751	008-10482	004-1811 B	52MST ZP	004-2006B	47PBS
004-0921	008-10601	004-1813L	5/8" unit B/P 12245 LH	004-2006C	47MST ZP
004-0923	008-10874	004-1813R	5/8" unit B/P 12245 RH	004-2100	W208PPB12
004-1703	GRA100RRB	004-1814A	G52MSA ZP	004-2101	J202NPP FS219
004-1800	RCJ 2	004-1814B	G52MSB ZP	004-2207	RCSM 1
004-1802	1" unit B/P 12252	004-1816	P204PP4	004-2275	5/8" unit B/P 12248
004-1804	RCJ 1 15/16	004-2002	PB 1 3/16		
004-1808	3/4" unit B/P 12249	004-2006	PBS 3/4		

**RAINBOW IRRIGATION**

**Self-Propelled Volume Gun**

Part no.	Fafnir no.	Part no.	Fafnir no.	Part no.	Fafnir no.
14718	RA103RR2	17150	PBS 3/4	17209	010-6015S
14918	RA103RB2				

**ROLL-A-CONE MANUFACTURING**

**Disc Bedder, Rolling Fenders, Marker Wheels**

Part no.	Fafnir no.	Part no.	Fafnir no.	Part no.	Fafnir no.
205PP11	205PP11	G1100KPPB3	G1100KPPB3	GW208PPB5	GW208PPB5

**ROME INDUSTRIES**

**Heavy Tillage Equipment**

Part no.	Fafnir no.	Part no.	Fafnir no.	Part no.	Fafnir no.
AW80	206PP	CB-66A	GW211PPB2	MGC-96	RCJ 1 1/4

**ROOD**

**Cotton Harvester**

Part no.	Fafnir no.	Part no.	Fafnir no.	Part no.	Fafnir no.
003-010	RCJ 1 3/8	003-017T	TCJ 1 1/4	003-022	GTFD 1
003-014	RCJ 1 1/2	003-018	RCJ 1 15/16	078-062F	010-11536
003-016	RCJT 1 1/4	003-020	RCJ 2 15/16		
003-017	RCJ 1 1/4	003-021	RCJC 1 15/16		

**SCHULD MANUFACTURING COMPANY**

**Feed Storage Bins**

Part no.	Fafnir no.	Part no.	Fafnir no.	Part no.	Fafnir no.
1112KRR & Col.	1112KRR	52MSTR	52MSTR ZP	RA010RRB & Col.	RA010RRB
40MS	40MS ZP	GC1100KRRG2	GC1100KRRG2	RA100RRB & Col.	RA100RRB
40MST	40MST ZP	GC1107KRRG2	GC1107KRRG2		
52MS	52MS ZP	PBS 7/8	PBS 7/8		

## SIMPLICITY

## Gardens and Mowers

Part no.	Fafnir no.	Part no.	Fafnir no.	Part no.	Fafnir no.
105173	RA100RR	1675934	P202NPP	172278	G52MSB ZP
105309	GVFD 1 1/8	168054	206PPG	172423	RA012RRB
105311	FLCT 3/4	1704042	GVFD 1 1/4 S	172536	GVFD 1 1/4 S
108202	P204RR6	170419	RA100RRB	172870	GVFD 1
1640481	9107PP	1705397	203JJ	173934	GRA100RRB
1650280	1100KRR	1705897	203PP FS50387K	173963	S1100K
1652181	P304K	1708256	47MSTR ZP	175847	47MST ZP
1654914	RA014RRB	1710008	FLCT 1	528126	206PP
1654914	S1014K	1710602	RA100RR	6571429	P204RR6
1655814	40MST ZP	1712038	RA012RR	8151071	RA102RRB
1656089	RA010RRB	1715419	VFMST 1	8151072	62MS ZP
1656809	RA010RRB	1716431	GVFD 1 7/16	8151073	S1102K
1657990	GRA014RRB	1716434	GVFD 1		
1669337	VFMST 3/4	172256	205K17		

## TAYLOR IMPLEMENT

## Disc Harrows and Other Misc. Tillage Equipment

Part no.	Fafnir no.	Part no.	Fafnir no.	Part no.	Fafnir no.
204147	W208PPB12	207022	GW211PPB3	209138	G100MSB ZP
204679	W211PPB6	207359	GW208PPB8	603586	203KRR2
206090	W208PPB11	209137	G100MSA ZP		

## TAYLOR MACHINE WORKS

## Fork Lift Trucks

Part no.	Fafnir no.	Part no.	Fafnir no.	Part no.	Fafnir no.
1926-180	208WDD	1971-010	312WD	1987-040	305PP
1926-201	307WDD	1972	313WD	210349	GW211PPB23
1926-204	310WDD	1972-005	316WD	3624-200	210WD
1964-010	205KD	1972-010	319WD	4339	308KG
1965-010	211WD	1972-013	322W	7214	RCJ 1 15/16
1969	212WD	1987-036	216WD	7214-100	RCJO 2 3/16
1970	217WD	1987-038	221WD		
1970-800	214KD	1987-039	224WD		

## THIHKOL CHEMICAL CORPORATION

## Potato Harvesters

Part no.	Fafnir no.	Part no.	Fafnir no.	Part no.	Fafnir no.
9000113-11	1112KRR	9001043-01	VFTD 1 1/4 S	9002324	G1103KRRB3
9000213	203KRR5	9001134-1	VAK 1 1/4	9004670	RA100RR
9000305	RA100RRB	9001134-2	VAK 1 3/4	9006721-01	203KRR5
9000319	PBC 1	9001134-3	VAK 2	9006721-02	206KRRB
9000322	PBC 1 (standard PBC 1)	9001134-4	VAK 1 1/2	9008737-01	RA100RR
9000337	206KRR4	9001134-5	VAK 1 3/8	9008737-02	RA103RR2
9000348	205NPP	9001134-6	VAK 1	9008737-03	RA112RR
9000367	52MS ZP	9001134-7	RAK 2 7/16		
9001043	VFTD 1 1/4 S	9001135	RBC 1		

**TYE COMPANY**

**Seed Drills, Rod Weeder and Disc Bedders**

Part no.	Fafnir no.	Part no.	Fafnir no.	Part no.	Fafnir no.
552-012	RA012RRB	552-207	W208PPB6	552-209	W208PP5
552-202	204KRD4	552-208	BB203KRR5	552-302	204RY2

**VANN INDUSTRIES, INC.**

**Tobacco: Topper, Harvester and Looper**

Part no.	Fafnir no.	Part no.	Fafnir no.	Part no.	Fafnir no.
000444	RAL100NPPB	000461	47MS ZP	000470	47PBS
000445	RAL012NPPB	000462	PBS ¾	000471	RA012RRB
000458	42LST ZP	000464	LS012K	000472	S1012K
000459	42LSTR ZP	000465	LS100K		
000460	47LST ZP	000469	47MST ZP		

**VERMEER**

**Round Balers**

Part no.	Fafnir no.	Part no.	Fafnir no.	Part no.	Fafnir no.
010-10601	010-10601	26457-001	P204RR6	9-4056-001	1112KRR
012-11517	012-11517	28027-001	RA112RRB	G1112KRR & Col.	G1112KRR
10-1735-001	VFTD 1 ¼ S	310W	310W	G52MSA	G52MSA ZP
1108KRR & COL	1108KRR	52MS	52MS ZP	G52MSB	G52MSB ZP
1112KRR & Col.	1112KRR	52MST	52MST ZP	G72MSA	G72MSA ZP
1203KRR & Col.	1203KRR	62MST	62MST ZP	G72MSB	G72MSB ZP
1207KRR & Col.	1207KRR	80MS	80MS ZP	RA100RR & COL	RA100RR
1733-003-1	203RR3	9-10843-001	S1104K	RA103RR2 & COL	RA103RR2
202NPP9	202NPP9	9-1733-001	203KRRG	RA103RRB2 & COL	RA103RRB2
203KRR3 A2896	203KRR3 A2896	9-1733-003	203RR3	RA108RR & Col.	RA108RR
203KRR6 A2896	203KRR6 A2896	9-212-001	RA108RRB	RA108RRB & Col.	RA108RRB
212-001-1	S1108KT	9-215-003	RA108RR	VFTD 1	VFTD 1
215-003	RA108RR	9-28027-001	RA112RRB	VFTD 1 ¼ S	VFTD 1 ¼ S
215-003-1	RA108RR	9-4047-001	RA103RRB2	VFTD 1 7/16	VFTD 1 7/16
249-1791-001	010 10601 Pulley	9-4051-001	RA103RR2		

**W&A MANUFACTURING**

**Disc Harrows, Reel-Tine Pulverizers Bedders, Fertilizer Applicators, Misc. Equipment**

Part no.	Fafnir no.	Part no.	Fafnir no.	Part no.	Fafnir no.
203KRR2	203KRR2	GW211PP3	GW211PP3	W208PP5	W208PP5
GW209PPB11	GW209PPB11	RAK 1 15/16	RAK 1 15/16		

**WESTERN LAND ROLLER COMPANY**

**Mixers-Grinders, Tub Grinders**

Part no.	Fafnir no.	Part no.	Fafnir no.	Part no.	Fafnir no.
1213275	RA100RRB	72221 O-P	RA103RRB2	ASTG109-P	RCJ 1 ½
12B287-P	203KRR2	72268-P	207NPP	ASTG110-P	RAS 2 3/8
24R73P	G1115KPPB3	72C814-P	RAS 1 ½	FGA39F-P	72MS ZP
72207G-P	G1115KRRB	AS72322A-P	GFLCT 1 ¼	G1108K-11	1108KRR
72210-G-P	GRA103RRB2	ASFC228-P	RF 1 ¾ Unit B/P12093	GM972-P	309NPP
72210AP	GRA104RRB	ASFG311-P	GVFD 1 15/16	TG106-P	GRA100RRB
72211 A-P	G62MSA ZP	ASFG315-P	GVFD 1 7/16	TG5-P	RA012RR
72211 B-P	G62MSB ZP	ASFGA65-P	VFD 1 5/16		
72220AP	G1112KRRB	ASTG106-P	GRFTD 1		



## WHITE FARM EQUIPMENT, COMPANY

## Tractors, Farm Implements

Part no.	Fafnir no.	Part no.	Fafnir no.	Part no.	Fafnir no.
101830A	9107KDD E7404	300279B	H204KRD4	9110090	203KRR6
104047A	9109K	301153	RA102RRB	9110250	RA105RRB
104135A	210K	31-1577800	W208PPB16	9110250A	RA106RRB
104136A	207KRR	31-1701680	P204PP A2620	9110260	S1106K
104565A	205PP	31-2437000	210PP	9110330A	RA103RRB
104831A	9108KDD E7404	31-2490830	GN215KRRB	9110340	S1103K
107791	212K	31-2490840	G1115KRRB	9110650	RA012RR
112069	205KLL	31-2552530	GN207KRRB	9110840	P206PP
11287	210WDN	31-7972260	RA115RRB	9110850	206NP
158316A	S12K	35A12418	207KDD4	9111110	205PP
15A13181	212NPP	400008ES	RA012RRB	9111890	305W
15A14875	1202KRRB	403194	207KRR8	9111910	206WG
15A14876	1114RRB	403253D	80MS ZP	9111920	1014KRRB
15A14878	1108KRRB	403324D	212NPP FS50000	9112010	207KRR3
15A15529	1102KRRB	403366D	213NPP	9112110	204PPB
15A15844	RA104RRB	403797D	1103KRRB3	9112180	207KRR4
15A16808	RA108RRB	403819	1106KRRB	9112200	RA010RRB
15A18375	1106KRRB	403960D	RA108PPB	9112360	207NPPB
15A18964	010-10927	403961D	RA112RRB	911950A	RA104RRB
15A2811	1103KRRB3	404356	52MST3 ZP	9152290	S1104K
15A3439A	62MS ZP	408808D	W210PP2 E8243	9235K	S1108KT
15A3918A	RA014RRB	501684	RA100RRB E7705	9860270	010-10731
15A5728	80MS ZP	501820	62MS3 ZP	AC10156	1103KLLB
15A5743A	RA100RRB	502263	RCSM 1	AC10839	RA014RRB
15A7471A	RA012RRB	502464ES	RA107RRB	AC11045	203PP
15A8677	RA103RRB2	502472	S1107K	AC11549	204PP
15A8776	204PP	503870	RA100RR	AC2478	205KD
15A8872	72MS ZP	503984	008-10853	AC5936	207KD
15P163	S1103K3	505331	G1200KRRB	AC9337	206KG
15P294	S1104K	505332	S1200K	AC9654	205KLL
15P61	S1102K	505681	RA106RR	AP1630	5203KD
15P62	S1202K	505759	62MST ZP	AS5002A	212KD
15P78	S1100K	506326	1012KRRB	AS5004B	5409G FS153
167861A	206KDD	506550	GRA100RRB	BS5002	208KG FS153
196792A	9120NPP	507095	RA014RR	CS5002A	210KG
197063A	GN203KRRB	507138	205KRR2	DS5002	5309WG FS153
1ES5042	204PP	507810ES	010-11313	DXS74A	206K
20-7300894	309K	510493	206NPP	ES5008	5304K
20-7300935	213WDG	510496	206NPPB	GS5010	205KD
20-73018-8	5307WD	510514	206KRR8	HS5008	207K
200887	202PP5	511152	RA102RR	KS5026	206KG FS153
20H2152	W209PPB2	511736	RA104RRB	KS5030A	9107P
20H4027	W208PPB9	511839	205PP	LS5010	J9106KDD E7404
20H5836	GW208PPB6	515115ES	RCSM 1	P62833	47MS ZP
20H5837	G80MSA ZP	515255	205KRRB2	RT403	207W
20H5838	G80MSB ZP	516472	H202KRR5	T9518	305KDG
20P450	W208PPB7	517973	PTO B/P 10871	TG9490	205KDG
213778B	GW208PPB5	518156	203KRR3	XAD389	52MS3 ZP
230548	1103KRRB	5211257	1104KRR	Z1074	S1015K
230586B	206KRRB3	52287	311K	Z1076	S1100K
237092B	W208PPB7	523012	RA100RR	Z277	52MS ZP
237909B	GW211PPB3	523042	G1107KRRB	Z312	72MS ZP
238481B	GW208PPB8 FS544	525074ES	RCJC 1 ½	Z389A	RA014RRB
238482	G80MSA2 ZP	527547	VFTD ¾	Z390	S1015K
238483B	G80MSB ZP	528009ES	RCJT 1 ¾	Z391A	RA100RRB
238799B	DHU 1 1/8 S209	56641	316K	Z398	307NPP
243001B	PBS 1	603615A	206KD	Z399A	308PP
2444A	RA103RRB2	608986A	9110KG	Z444	RA103RRB2
245678B	BB203KRR2	71015	312K	Z486	RA107RRB
247167B	H204RR11	7530680	RA103RRB2	Z529	RA101RRB
25H000862	203KRR2	895664L	RA012RRB	Z530	S1101K
30-3039250	212W	895816L	RA100RR	Z996	207NPP
30-3141438	206KRR8	9110010A	308NPPB		

BCA TO FAFNIR INTERCHANGE

BCA	FAFNIR	BCA	FAFNIR	BCA	FAFNIR
40MS	40MS ZP	DS208TT13	W208PPB13	G85MSA	G85MSA ZP
40MST	40MST ZP	DS208TT2A	W208PPB23	G90MSA	G90MSA ZP
47MS	47MS ZP	DS208TT4	W208PPB4	HPC011GP	204KRR2
47MST	47MST ZP	DS208TT5	W208PPB5	HPC014GP	205KRR2
47MSTR	47MSTR ZP	DS208TT6	W208PPB6	HPC100GP	206KRR6
52MS	52MS ZP	DS208TT7	W208PPB7	HPC100TP	206KPP3
52MSA	G52MSB ZP	DS208TT8	W208PPB8	HPC100TR	G206KPP4
52MST	52MST ZP	DS208TTR5	GW208PPB5	HPC102GPE	207KRR12
52MSTR	52MSTR ZP	DS208TTR6	GW208PPB6	HPS014GP	205KRRB2
62MS	62MS ZP	DS208TTR8	GW208PPB8	HPS100GP	206KRRB6
62MSA	G62MSB ZP	DS209TT10	W209PPB10	HPS100TR	G206KPPB4
62MST	62MST ZP	DS209TT2	W209PPB2	HPS102GPE	207KRRB12
62MSTR	62MSTR ZP	DS209TT4	W209PPB4	HPS108GPBN	210RRB6
72MS	72MS ZP	DS209TT5	W209PPB5	HPS108GPH	209KRRB2
72MSA	G72MSB ZP	DS209TT6	W209PPB6	NPC008RP	RA008RR
72MST	72MST ZP	DS209TT7	W209PPB7	NPC008RR	GRA008RR
80MS	80MS ZP	DS209TT8	W209PPB8	NPC009RP	RA009RR
80MSA	G80MSB ZP	DS209TTR10	GW209PPB11	NPC010RP	RA010RR
85MS	85MS ZP	DS209TTR2	GW209PPB2	NPC010RR	GRA010RR
85MSA	G85MSB ZP	DS209TTR4	GW209PPB4	NPC012RP	RA012RR
90MS	90MS ZP	DS209TTR5	GW209PPB5	NPC012RR	GRA012RR
90MSA	G90MSB ZP	DS209TTR8	GW209PPB8	NPC013RP	RA013RR
100MS	100MS ZP	DS20BTT2A	W208PPB2	NPC014RP	RA014RR
100MSA	G100MSB ZP	DS210TT2	W210PPB2	NPC014RR	GRA014RR
202FFH8	202NPP9	DS210TT4	W210PPB4	NPC015RP	RA015RR
202RRE	J202KRR8	DS210TT5	W210PPB5	NPC100RP	RA100RR
203RRAR10	203KRR2	DS210TT6	W210PPB6	NPC100RR	GRA100RR
203RRAR10N2	BB203KRR2	DS210TTR2	GW210PPB2	NPC101RP	RA101RR
203RRAR8	203KRR5	DS210TTR4	GW210PPB4	NPC101RR	GRA101RR
203RRH10	203KRR6	DS210TTR5	GW210PPB5	NPC102RP	RA102RR
204BBA4	204RR7	DS211TT2	W211PPB2	NPC102RR	GRA102RR
204BBAR	204RR6	DS211TT3	W211PPB3	NPC103RP	RA103RR
204BBAR	P204RR6	DS211TT6	W211PPB6	NPC103RP2	RA103RR2
204BBE	204RR8	DS211TTR13	GW211PPB13	NPC103RR	GRA103RR
204FGB	204KRD4	DS211TTR2	GW211PPB2	NPC103RR2	GRA103RR2
204FVMN	204RY2	DS211TTR3	GW211PPB3	NPC104RP	RA104RR
205RHN	205KR3	DS211TTR8R	GW211PPB8	NPC104RR	GRA104RR
205RRB	205KRR6	DS211TTR9	GW211PPB9	NPC105RP	RA105RR
205RVA	205KRP2	DS214TT2	W214PPB2	NPC106RP	RA106RR
205RVBAN	205RY2	DS214TTR5	GW214PPB5	NPC107RP	RA107RR
205TNJ	205KP6	DS214TTRA	GW214PPB6	NPC108RP	RA108RR
205TTH	205PPB7	DS216TTR2	GW216PPB2	NPC108RR	GRA108RR
205VVH	205KYY5	DS216TTR3	GW216PPB3	NPC109RP	RA109RR
206GGB	206KRRB3	EPWG1 7/16R	B/P11718	NPS008RP	RA008RRB
DC208TT	W208K3 E9003	F5L0810S	008-10601	NPS008RR	GRA008RRB
DC208TT10	W208PP10	F5L0811S	008-10483	NPS009RP	RA009RRB
DC208TT2	W208K2 E9003	F5L1010S	010-10601	NPS009RR	GRA009RRB
DC208TT5	W208PP5	F5L1011S	010-10483	NPS010RP	RA010RRB
DC208TT6	W208PP6	F5L1012S	010-10731	NPS010RR	GRA010RRB
DC208TT8	W208PP8	FD209RA	DHU491A	NPS012RP	RA012RRB
DC208TTR17	GW208PP17	FD209RA	DHU1 3/4 R209	NPS012RR	GRA012RRB
DC210	RM1115K E8370	FD209RB	DHU1 1/2 R209	NPS013RP	RA013RRB
DC210TT2	W210PP2	FD209RK	DHU1 1/4 S209	NPS013RR	GRA013RRB
DC210TT4	W210PP4	FD209RM	DHU1 1/8 S209	NPS014RP	RA014RRB
DC210TTR3	GW210PP3	FD211RB	DHU2 3/16 R211	NPS014RR	GRA014RRB
DC210TTR4	GW210PP4	FD211RE	DHU1 3/4 R211	NPS015RP	RA015RRB
DC210TTR9	GW210PP9	FD211RM	DHU1 1/2 S211	NPS015RR	GRA015RRB
DC211TT2	W211PP2	FD211RM	DHU1 1/2 S211	NPS100RP	RA100RRB
DC211TT3	W211PP3	FD211RP	DHU40 S211	NPS100RR	GRA100RRB
DC211TT5	W211PP5	FSL0812S	008-10731	NPS101RP	RA101RRB
DC211TTR2	GW211PP2	G100MSA	G100MSA ZP	NPS101RR	GRA101RRB
DC211TTR3	GW211PP3	G1100KPPB3	G1100KPPB3	NPS102RP	RA102RRB
DC214TTR2	GW214PP2	G52MSA	G52MSA ZP	NPS102RR	GRA102RRB
DC216TTR2	GW216PP2	G62MSA	G62MSA ZP	NPS103RP	RA103RRB
DS208TT11A	W208PPB11	G72MSA	G72MSA ZP	NPS103RP2	RA103RRB2
DS208TT12A	W208PPB12	G80MSA	G80MSA ZP	NPS103RR	GRA103RRB

## BCA TO FAFNIR INTERCHANGE (Continued)

BCA	FAFNIR	BCA	FAFNIR	BCA	FAFNIR
NPS103RR2	GRA103RRB2	WPC112GR	G1112KRR	WPS107GP	1107KRRB
NPS104RP	RA104RRB	WPC114GP	1114KRR	WPS107GR	G1107KRRB
NPS104RR	GRA104RRB	WPC115GP	1115KRR	WPS107TP	1107KPPB2
NPS105RP	RA105RRB	WPC115GR	G1115KRR	WPS107TR	G1107KPPB2
NPS105RR	GRA105RRB	WPC115TR	G1115KPP3	WPS108GP	1108KRRB
NPS106RP	RA106RRB	WPC200GP	1200KRR	WPS108GR	G1108KRRB
NPS106RR	GRA106RRB	WPC200GR	G1200KRR	WPS108TP	1108KPPB3
NPS107RP	RA107RRB	WPC202GP	1202KRR	WPS108TR	G1108KPPB3
NPS107RR	GRA107RRB	WPC203GP	1203KRR	WPS109GP	1109KRRB
NPS108RP	RA108RRB	WPC203GR	G1203KRR	WPS109GR	G1109KRRB
NPS108RR	GRA108RRB	WPC204GP	1204KRR	WPS109TP	1109KPPB3
NPS109RP	RA109RRB	WPC207GP	1207KRR	WPS109TR	G1109KPPB3
NPS109RR	GRA109RRB	WPC207GR	G1207KRR	WPS110GP	1110KRRB
S203FF	203NPPB	WPS012GP	1012KRRB	WPS110GR	G1110KRRB
S204FF	204NPPB	WPS012GR	G1012KRRB	WPS110TP	1110KPPB4
S205FF	205NPPB	WPS013GR	G1013KRRB	WPS110TR	G1110KPPB4
S206FF	206NPPB	WPS013TP	1013KPPB3	WPS111GP	1111KRRB
S207FF	207PPB	WPS013TR	G1013KPPB3	WPS111GR	G1111KRRB
S208FF	208PPB	WPS014-TP	1014KPPB3	WPS111TP	1111KPPB4
S209FF	209NPPB	WPS014GP	1014KRRB	WPS111TR	G1111KPPB4
S305FF	305NPPB	WPS014GR	G1014KRRB	WPS112GP	1112KRRB
S710-4018	010-4018S	WPS014TP	1014KPPB3	WPS112GR	G1112KRRB
S710-5017	010-5017S	WPS014TR	G1014KPPB3	WPS112TP	1112KPPB4
S710-6015	010-6015S	WPS015GP	1015KRRB	WPS112TR	G1112KPPB4
V5L0804S	008-10482	WPS015GR	G1015KRRB	WPS113TP	1113KPPB3
V5L0805S	008-10853	WPS015TP	1015KPPB3	WPS113TR	G1113KPPB3
V5L1004S	010-10482	WPS015TR	G1015KPPB3	WPS114GP	1114KRRB
V5L1005S	010-10853	WPS100GP	1100KRRB	WPS114GR	G1114KRRB
WPC012GP	1012KRR	WPS100GR	G1100KRRB	WPS114TP	1114KPPB3
WPC012GR	G1012KRR	WPS100TP	1100KPPB3	WPS114TR	G1114KPPB3
WPC013GP	1013KRR	WPS100TR	G1100KPPB3	WPS115GP	1115KRRB
WPC014GP	1014KRR	WPS101GP	1101KRRB	WPS115GR	G1115KRRB
WPC014GR	G1014KRR	WPS101GR	G1101KRRB	WPS115TP	1115KPPB3
WPC015GP	1015KRR	WPS101TP	1101KPPB3	WPS115TR	G1115KPPB3
WPC015GR	G1015KRR	WPS101TR	G1101KPPB3	WPS200GR	G1200KRRB
WPC100GP	1100KRR	WPS102GP	1102KRRB	WPS200TP	1200KPPB4
WPC100GR	G1100KRR	WPS102GR	G1102KRRB	WPS200TR	G1200KPPB4
WPC101GR	G1101KRR	WPS102TP	1102KPPB3	WPS202GP	1202KRRB
WPC102GP	1102KRR	WPS102TR	G1102KPPB3	WPS202GR	G1202KRRB
WPC102GR	G1102KRR	WPS103GP	1103KRRB	WPS202TP	1202KPPB4
WPC103GP	1103KRR	WPS103GP2	1103KRRB3	WPS202TR	G1202KPPB4
WPC103GP2	1103KRR3	WPS103GR	G1103KRRB	WPS203GP	1203KRRB
WPC103GR	G1103KRR	WPS103GR2	G1103KRRB3	WPS203GR	G1203KRRB
WPC103TR	G1103KPP3	WPS103TP	1103KPPB3	WPS203TP	1203KPPB4
WPC104GP	1104KRR	WPS103TP2	1103KPPB4	WPS203TR	G1203KPPB4
WPC104GR	G1104KRR	WPS103TR	G1103KPPB3	WPS204GP	1204KRRB
WPC104TR	G1104KPP2	WPS103TR2	G1103KPPB4	WPS204GR	G1204KRRB
WPC105GP	1105KRR	WPS104GP	1104KRRB	WPS207GP	1207KRRB
WPC106GP	1106KRR	WPS104GR	G1104KRRB	WPS207GR	G1207KRRB
WPC106GR	G1106KRR	WPS104TP	1104KPPB2	WPSH114-RR	GN114KRRB
WPC107GP	1107KRR	WPS104TR	G1104KPPB2	WPSH115-RR	GN115KRRB
WPC107GR	G1107KRR	WPS105GP	1105KRRB	WPSH200-RR	GN200KRRB
WPC108GP	1108KRR	WPS105GR	G1105KRRB	WPSH203-RR	GN203KRRB
WPC108GR	G1108KRR	WPS105TP	1105KPPB2	WPSH207-RR	GN207KRRB
WPC110GP	1110KRR	WPS105TR	G1105KPPB2	WPSH211-RR	GN211KRRB
WPC110GR	G1110KRR	WPS106GP	1106KRRB	WPSH215-RR	GN215KRRB
WPC111GP	1111KRR	WPS106GR	G1106KRRB	WPSH303-RR	GN303KRRB
WPC111GR	G1111KRR	WPS106TP	1106KPPB2	WPSH307-RR	GN307KRRB
WPC112GP	1112KRR	WPS106TR	G1106KPPB2	WPSH315-RR	GN315KRRB

**DON DYE TO FAFNIR INTERCHANGE**

DON DYE	FAFNIR	DON DYE	FAFNIR	DON DYE	FAFNIR
G28VI-70	008-10482	G2BVI-70	010-10482	G4BCFI-140	010-11515
G2BCFI-140	008-11515	G2DFI-144	008-10731	G4BCFI-76	010-10601
G2BCFI-76	008-10601	G48CFI-100	008-10483	G4BVI-108	010-10853
G2BVI-108	008-10853	G4BCFI-100	010-10483	G4DFI-144	010-10731

**FEDERAL TO FAFNIR INTERCHANGE**

FEDERAL	FAFNIR	FEDERAL	FAFNIR	FEDERAL	FAFNIR
80MM	80MS ZP	CD2101	RA101RR	T208S1	W208PP8
85MM	85MS ZP	CD2102	RA102RR	T211S4A	W211PP5
C2008	G1008KRRB	CD2103	RA103RR	TN208A	W208PPB7
C2009	G1009KRRB	CD2104	RA104RR	TN208S1	W208PP5
C2010	G1010KRRB	CD2104A	RA103RR2	TN208S1A	W208K3 E9003
C2011	G1011KRRB	CD2105	RA105RR	TN208SA	W208K2 E9003
C2012	G1012KRRB	CD2106	RA106RR	TN209S	W208PP6
C2013	G1013KRRB	CD2107	RA107RR	TNS208S	W208PPB6
C2014	G1014KRRB	CD2108	RA108RR	TNS208S1R	GW208PPB5
C2015	G1015KRRB	CD2109	RA109RR	TNS20BS1	W208PPB5
C2100	G1100KRRB	D2008	RA008RRB	TR-14	52MSTR ZP
C2101	G1101KRRB	D2009	RA009RRB	TR-17	62MSTR ZP
C2102	G1102KRRB	D2010	RA010RRB	TR12	47MSTR ZP
C2103	G1103KRRB	D2012	RA012RRB	TS208H	W208PPB23
C2104	G1104KRRB	D2013	RA013RRB	TS208S1R	GW208PPB8
C2105	G1105KRRB	D2014	RA014RRB	TS209S2	W209PPB5
C2106	G1106KRRB	D2015	RA015RRB	TS210S1A	W210PPB6
C2107	G1107KRRB	D2100	RA100RRB	TSC208S1A	W208PPB12
C2108	G1108KRRB	D2101	RA101RRB	TSC209S2A	W209PPB7
C2109	G1109KRRB	D2102	RA102RRB	TSC211S4A	W211PPB6
C2110	G1110KRRB	D2103	RA103RRB	TWS209A	W209PPB4
C2111	G1111KRRB	D2104	RA104RRB	TW210A	W210PP2
C2112	G1112KRRB	D2104A	RA103RRB2	TW211A	W211PP2
C2113	G1113KRRB	D2105	RA105RRB	TW214	W214PP2
C2114	G1114KRRB	D2106	RA106RRB	TWS209	W209PPB2
C2115	G1115KRRB	D2107	RA107RRB	TW211S4	W211PP3
C2200	G1200KRRB	D2108	RA108RRB	TWS209AR	GW209PPB4
C2202	G1202KRRB	D2109	RA109RRB	TWS209B	W209PPB10
C2203	G1203KRRB	F-08	40MS ZP	TWS210A	W210PPB5
C2204	G1204KRRB	F-12	47MS ZP	TWS210B	W210PPB2
C2206	G1206KRRB	F-14	52MS ZP	TWS210BR	GW210PPB2
C2207	G1207KRRB	F-17	62MS ZP	TWS210S1	W210PPB4
CD2008	RA008RR	F-20	72MS ZP	TWS211A	W211PPB2
CD2009	RA009RR	F5L1010S	010-10601	TWS211S4	W211PPB3
CD2010	RA010RR	F5L1011S	010-10483	TWS211S4R	GW211PPB3
CD2012	RA012RR	F5L1012S	010-10731	TWS214	W214PPB2
CD2013	RA013RR	T-08	40MST ZP	V51004S	008-10482
CD2014	RA014RR	T-12	47MST ZP	V5L1005S	008-10853
CD2015	RA015RR	T-14	52MST ZP		
CD2100	RA100RR	T-17	62MST ZP		

## LINKBELT TO FAFNIR INTERCHANGE

LINKBELT	FAFNIR	LINKBELT	FAFNIR	LINKBELT	FAFNIR
40MSC1	40MS ZP	W208PPB12	W208PPB12	WB2E32U	RA200RR
40MST	40MST ZP	W208PPB13	W208PPB13	WBG210U	GRA010RR
47MSC1	47MS ZP	W208PPB23	W208PPB23	WBG212U	GRA012RR
47MST	47MST ZP	W208PPB5	W208PPB5	WBG214U	GRA014RR
47MSTR	47MSTR ZP	W208PPB6	W208PPB6	WBG216U	GRA100RR
52MSC	52MS ZP	W208PPB7	W208PPB7	WBG217U	GRA101RR
52MST	52MST ZP	W209PPB2	W209PPB2	WBG218U	GRA102RR
52MSTR	52MSTR ZP	W209PPB4	W209PPB4	WBG219U	GRA103RR
62MSC	62MS ZP	W209PPB5	W209PPB5	WBG220U	GRA104RR
62MST	62MST ZP	W209PPB6	W209PPB7	WBG224U	GRA108RR
62MSTR	62MSTR ZP	W209U	RA009RRB	WBG2B08U	GRA008RR
72MSC	72MS ZP	W210PP2	W210PP2	WBG2E20U	GRA103RR2
80MSC	80MS ZP	W210PPB2	W210PPB2	WG209U	GRA009RRB
85MSC	85MS ZP	W210PPB4	W210PPB4	WG210U	GRA010RRB
90MSC	90MS ZP	W210PPB5	W210PPB5	WG212U	GRA012RRB
100MSC	100MS ZP	W210U	RA010RRB	WG213U	GRA013RRB
G52MSA	G52MSA ZP	W211PP2	W211PP2	WG214U	GRA014RRB
G52MSB	G52MSB ZP	W211PP3	W211PP3	WG215U	GRA015RRB
G62MSA	G62MSA ZP	W211PPB2	W211PPB2	WG216U	GRA100RRB
G62MSB	G62MSB ZP	W211PPB	W211PPB3	WG217U	GRA101RRB
G72MSA	G72MSA ZP	W212U	RA012RRB	WG218U	GRA102RRB
G72MSB	G72MSB ZP	W213U	RA013RRB	WG219U	GRA103RRB
G80MSA	G80MSA ZP	W214PP2	W214PP2	WG220U	GRA104RRB
G80MSB	G80MSB ZP	W214PPB2	W214PPB2	WG221U	GRA105RRB
G85MSA	G85MSA ZP	W214U	RA014RRB	WG222U	GRA106RRB
G85MSB	G85MSB ZP	W215U	RA015RRB	WG223U	GRA107RRB
G90MSA	G90MSA ZP	W216U	RA100RRB	WG224U	GRA108RRB
G90MSB	G90MSB ZP	W217U	RA101RRB	WG225U	GRA109RRB
G100MSA	G100MSA ZP	W218U	RA102RRB	WG226U	GRA110RRB
G100MSB	G100MSB ZP	W219U	RA103RRB	WG227U	GRA111RRB
GW208PPB5	GW208PPB5	W220U	RA104RRB	WG228U	GRA112RRB
GW208PPB6	GW208PPB6	W221U	RA105RRB	WG229U	GRA113RRB
GW208PPB8	GW208PPB8	W222U	RA106RRB	WG230U	GRA114RRB
GW209PPB2	GW209PPB2	W223U	RA107RRB	WG231U	GRA115RRB
GW209PPB4	GW209PPB4	W224U	RA108RRB	WG2B08U	GRA008RRB
GW209PPB8	GW209PPB8	W225U	RA109RRB	WG2E20U	GRA103RRB2
GW210PP3	GW210PP3	W226U	RA110RRB	WG2E32U	GRA200RRB
GW210PP4	GW210PP4	W227U	RA111RRB	WPS100TR	G1100KPPB3
GW210PPB2	GW210PPB2	W228U	RA112RRB	WPS103TP	1103KPPB3
GW210PPB4	GW210PPB4	W229U	RA113RRB	Y210NL	1010KRRB
GW210PPB5	GW210PPB5	W230U	RA114RRB	Y211NL	1011KRRB
GW211PP2	GW211PP2	W231U	RA115RRB	Y212NL	1012KRRB
GW211PP3	GW211PP3	W2B08U	RA008RRB	Y213E3	1013KPPB3
GW211PP82	GW211PPB2	W2E20U	RA103RRB2	Y214E3	1014KPPB3
GW211PPB3	GW211PPB3	W2E32U	RA200RRB	Y214NL	1014KRRB
GW214PP2	GW214PP2	WB209U	RA009RR	Y215E3	1015KPPB3
GW214PPB2	GW214PPB2	WB210U	RA010RR	Y215NL	1015KRRB
U319D	GN103KRRB	WB212U	RA012RR	Y216E3	1100KPPB3
U320D	GN104KRRB	WB213U	RA013RR	Y216NL	1100KRRB
U321D	GN105KRRB	WB214U	RA014RR	Y217E3	1101KPPB3
U322D	GN106KRRB	WB215U	RA015RR	Y217NL	1101KRRB
U323D	GN107KRRB	WB216U	RA100RR	Y218E3	1102KPPB3
U324D	GN108KRRB	WB217U	RA101RR	Y218NL	1102KRRB
U326D	GN110KRRB	WB218U	RA102RR	Y219NL	1103KRRB
U327D	GN111KRRB	WB219U	RA103RR	Y220E3	1104KPPB2
U328D	GN112KRRB	WB220U	RA104RR	Y220NL	1104KRRB
U331D	GN115KRRB	WB221U	RA105RR	Y221E3	1105KPPB2
U332D	GN200KRRB	WB222U	RA106RR	Y221NL	1105KRRB
U335D	GN203KRRB	WB223U	RA107RR	Y222E3	1106KPPB2
U339D	GN207KRRB	WB224U	RA108RR	Y222NL	1106KRRB
U343D	GN211KRRB	WB225U	RA109RR	Y223E3	1107KPPB2
U347D	GN215KRRB	WB226U	RA110RR	Y223NL	1107KRRB
U351D	GN303KRRB	WB227U	RA111RR	Y224E3	1108KPPB3
U355D	GN307KRRB	WB228U	RA112RR	Y224NL	1108KRRB
U363D	GN315KRRB	WB229U	RA113RR	Y225E3	1109KPPB3
W208PP10	W208PP10	WB230U	RA114RR	Y225NL	1109KRRB
W208PP5	W208PP5	WB231U	RA115RR	Y226E3	1110KPPB4
W208PP6	W208PP6	WB2B08U	RA008RR	Y226NL	1110KRRB
W208PP8	W208PP8	WB2E20U	RA103RR2	Y227E3	1111KPPB4

**LINKBELT TO FAFNIR INTERCHANGE (continued)**

LINKBELT	FAFNIR	LINKBELT	FAFNIR	LINKBELT	FAFNIR
Y227NL	1111KRRB	YB2B08N	1008KRR	YG219E3	G1103KPPB3
Y228E3	1112KPPB4	YB2E20N	1103KRR3	YG219NL	G1103KRRB
Y228NL	1112KRRB	YBG210N	G1010KRR	YG220E3	G1104KPPB2
Y230E3	1114KPPB3	YBG211N	G1011KRR	YG220NL	G1104KRRB
Y230NL	1114KRRB	YBG212N	G1012KRR	YG221E3	G1105KPPB2
Y231E3	1115KPPB3	YBG214N	G1014KRR	YG221NL	G1105KRRB
Y231NL	1115KRRB	YBG215N	G1015KRR	YG222E3	G1106KPPB2
Y233E3	1201KPPB4	YBG216N	G1100KRR	YG222NL	G1106KRRB
Y234E3	1202KPPB4	YBG217N	G1101KRR	YG223E3	G1107KPPB2
Y235E3	1203KPPB4	YBG218N	G1102KRR	YG223NL	G1107KRRB
Y2B08NL	1008KRRB	YBG219N	G1103KRR	YG224E3	G1108KPPB3
Y2E20E3	1103KPPB4	YBG220N	G1104KRR	YG224NL	G1108KRRB
YBG217N	G1101KRR	YBG222N	G1106KRR	YG225E3	G1109KPPB3
Y2E20NL	1103KRRB3	YBG223N	G1107KRR	YG225NL	G1109KRRB
Y2E32NL	1200KRRB	YBG224N	G1108KRR	YG226E3	G1110KPPB4
Y323E3	1200KPPB4	YBG226N	G1110KRR	YG226NL	G1110KRRB
YB211N	1010KRR	YBG227N	G1111KRR	YG227E3	G1111KPPB4
YB211N	1011KRR	YBG228N	G1112KRR	YG227NL	G1111KRRB
YB212N	1012KRR	YBG231N	G1115KRR	YG228E3	G1112KPPB4
YB213N	1013KRR	YBG2E32N	G1200KRR	YG228NL	G1112KRRB
YB214N	1014KRR	YG209NL	G1009KRRB	YG229NL	G1113KRRB
YB215N	1015KRR	YG210NL	G1010KRRB	YG230E3	G1114KPPB3
YB216N	1100KRR	YG211NL	G1011KRRB	YG230NL	G1114KRRB
YB218N	1102KRR	YG212NL	G1012KRRB	YG231E3	G1115KPPB3
YB219N	1103KRR	YG213E3	G1013KPPB3	YG231NL	G1115KRRB
YB220N	1104KRR	YG213NL	G1013KRRB	YG232E3	G1200KPPB4
YB221N	1105KRR	YG214E3	G1014KPPB3	YG233E3	G1203KPPB4
YB222N	1106KRR	YG214NL	G1014KRRB	YG233E3	G1201KPPB4
YB223N	1107KRR	YG215E3	G1015KPPB3	YG234E3	G1202KPPB4
YB224N	1108KRR	YG215NL	G1015KRRB	YG2B08NL	G1008KRRB
YB226N	1110KRR	YG216NL	G1100KRRB	YG2E20E3	G1103KPPB4
YB227N	1111KRR	YG217E3	G1101KPPB3	YG2E20NL	G1103KRRB3
YB228N	1112KRR	YG217NL	G1101KRRB	YG2E32NL	G1200KRRB
YB230N	1114KRR	YG218E3	G1102KPPB3		
YB231N	1115KRR	YG218NL	G1102KRRB		

**MRC to FAFNIR INTERCHANGE**

MRC	FAFNIR	MRC	FAFNIRMRC	FAFNIR	FAFNIR
RA008AZZ	RA008RR	T-1011-AZZ	1011KRR	T-1107-BZZ	1107KRRB
RA009AZZ	RA009RR	T-1011-BZZ	1011KRRB	T-1108-AZZ	1108KRR
RA010AZZ	RA010RR	T-1012-AZZ	1012KRR	T-1108-BZZ	1108KRRB
RA012AZZ	RA012RR	T-1012-BZZ	1012KRRB	T-1109-BZZ	1109KRRB
RA013AZZ	RA013RR	T-1013-AZZ	1013KRR	T-1110-AZZ	1110KRR
RA014AZZ	RA014RR	T-1014-AZZ	1014KRR	T-1110-BZZ	1110KRRB
RA015AZZ	RA015RR	T-1014-BZZ	1014KRRB	T-1111-AZZ	1111KRR
RA100AZZ	RA100RR	T-1015-AZZ	1015KRR	T-1111-BZZ	1111KRRB
RA101AZZ	RA101RR	T-1015-BZZ	1015KRRB	T-1112-AZZ	1112KRR
RA102AZZ	RA102RR	T-1100-AZZ	1100KRR	T-1112-BZZ	1112KRRB
RA103AZZ	RA103RR	T-1100-BZZ	1100KRRB	T-1114-AZZ	1114KRR
RA103AZZ2	RA103RR2	T-1101-BZZ	1101KRRB	T-1114-BZZ	1114KRRB
RA104AZZ	RA104RR	T-1102-AZZ	1102KRR	T-1115-AZZ	1115KRR
RA105AZZ	RA105RR	T-1102-BZZ	1102KRRB	T-1115-BZZ	1115KRRB
RA106AZZ	RA106RR	T-1103-AZZ	1103KRR	T-1200-AZZ	1200KRR
RA107AZZ	RA107RR	T-1103-AZZ-2	1103KRR3	T-1200-BZZ	1200KRRB
RA108AZZ	RA108RR	T-1103-BZZ	1103KRRB	T-1202-AZZ	1202KRR
RA109AZZ	RA109RR	T-1103-BZZ-2	1103KRRB3	T-1202-BZZ	1202KRRB
RA110AZZ	RA110RR	T-1104-AZZ	1104KRR	T-1203-AZZ	1203KRR
RA111AZZ	RA111RR	T-1104-BZZ	1104KRRB	T-1203-BZZ	1203KRRB
RA112AZZ	RA112RR	T-1105-AZZ	1105KRR	T-1204-BZZ	1204KRRB
RA115AZZ	RA115RR	T-1105-BZZ	1105KRRB	T-1207-AZZ	1207KRR
T-1008-AZZ	1008KRR	T-1106-AZZ	1106KRR	T-1207-BZZ	1207KRRB
T-1008-BZZ	1008KRRB	T-1106-BZZ	1106KRRB	T-1215-AZZ	1215KRR
T-1010-AZZ	1010KRR	T-1107-AZZ	1107KRR	T-1215-BZZ	1215KRRB
T-1010-BZZ	1010KRRB				

## NDH TO FAFNIR INTERCHANGE

NDH	FAFNIR	NDH	FAFNIR	NDH	FAFNIR
99A110	RA110RRB	LCWA112	1112KRRB	RWA104B	G1103KRRB3
99A110C	RA110RR	PF2-400AC	010-10601	RWA106	G1106KRRB
99A111	RA111RRB	PF2-400C	008-10601	RWA107	G1107KRRB
99A111C	RA111RR	PF3-800	010-10731	TA008	RA008RRB
99A112	RA112RRB	PV2-404AC	010-10482	TA008C	RA008RR
99A112C	RA112RR	PV3-612	008-10853	TA009	RA009RRB
99A113C	RA113RR	RAS4508AE	GW208PPB6	TA009C	RA009RR
99A114	RA114RRB	RAS4508EF	GW208PPB8	TA010	RA010RRB
99A114C	RA114RR	RAS4508J	GW208PPB5	TA010C	RA010RR
99A115	RA115RRB	RAS4509A	GW209PPB8	TA012	RA012RRB
99A115C	RA115RR	RAS4509BD	GW209PPB4	TA012C	RA012RR
99A200	RA200RRB	RAS4509BE	GW209PPB2	TA013	RA013RRB
99A200C	RA200RR	RAS4510B	GW210PP4	TA013C	RA013RR
99A202	RA202RRB	RAS4510F	GW210PPB4	TA014	RA014RRB
99A202C	RA202RR	RAS4511BD	GW211PP3	TA014C	RA014RR
99A203	RA203RRB	RAS4511BE	GW211PPB3	TA015	RA015RRB
99A203C	RA203RR	RAS4511C	GW211PP2	TA015C	RA015RR
99A113	RA113RRB	RFL520	G52MSB	TA100	RA100RRB
AS4508A	W208K2 E9003	RFL52C	G52MSA	TA100C	RA100RR
AS4508B	W208K3 E9003	RFL62C	G62MSA	TA101	RA101RRB
AS4508BC	W208PPB12	RFL62D	G62MSB	TA101C	RA101RR
AS4508BD	W208PP8	RFL72C	G72MSA	TA102	RA102RRB
AS4508BH	W208PP5	RFL72D	G72MSB	TA102C	RA102RR
AS4508BJ	W208PPB5	RFL80C	G80MSA	TA103	RA103RRB
AS4508BK	W208PPB6	RFL80D	G80MSB	TA103C	RA103RR
AS4508FC	W208PPB11	RG99A100	GRA110RRB	TA104	RA104RRB
AS4508FF	W208PPB13	RG99A111	GRA111RRB	TA104B	RA103RRB2
AS4509A	W209PPB5	RG99A112	GRA112RRB	TA104BC	RA103RR2
AS4509AC	W209PPB7	RG99A113	GRA113RRB	TA104C	RA104RR
AS4509B	W209PPB6	RG99A114	GRA114RRB	TA105	RA105RRB
AS4509BD	W209PPB4	RG99A115	GRA115RRB	TA105C	RA105RR
AS4509BE	W209PPB2	RG99A200	GRA200RRB	TA106	RA106RRB
AS4510D	W210PPB5	RG99A202	GRA202RRB	TA106C	RA106RR
AS4511AC	W211PPB6	RG99A203	GRA203RRB	TA107	RA107RRB
AS4511AE	W211PP5	RGTA008	GRA008RRB	TA107C	RA107RR
AS4511BD	W211PP3	RGTA008C	GRA008RR	TA108	RA108RRB
AS4511BE	W211PPB3	RGTA009	GRA009RRB	TA108C	RA108RR
AS4511C	W211PP2	RGTA010	GRA010RRB	TA109	RA109RRB
FL-100	100MS ZP	RGTA010C	GRA010RR	TA109C	RA109RR
FL-40	40MS ZP	RGTA012	GRA012RRB	WA014	1014KRRB
FL-40-2	40MST ZP	RGTA012C	GRA012RR	WA014*	1014KPPB3
FL-47	47MS ZP	RGTA013	GRA013RRB	WA014C	1014KRR
FL-47-2	47MST ZP	RGTA014	GRA014RRB	WA100	1100KRRB
FL-52	52MS ZP	RGTA014C	GRA014RR	WA100*	1100KPPB3
FL-52-2	52MST ZP	RGTA015	GRA015RRB	WA100C	1100KRR
FL-62	62MS ZP	RGTA100	GRA100RRB	WA101	1101KRRB
FL-72	72MS ZP	RGTA100C	GRA100RR	WA101*	1101KPPB3
FL-80	80MS ZP	RGTA101	GRA101RRB	WA102	1102KRRB
FL-90	90MS ZP	RGTA101C	GRA101RR	WA102*	1102KPPB3
FL-95	85MS ZP	RGTA102	GRA102RRB	WA102C	1102KRR
LCRWA100	G1100KRRB	RGTA102C	GRA102RR	WA104	1104KRRB
LCRWA102	G1102KRRB	RGTA103	GRA103RRB	WA1048*	1103KPPB4
LCRWA104	G1104KRRB	RGTA103C	GRA103RR	WA104B	1103KRRB3
LCRWA104B	G1103KRRB3	RGTA104	GRA104RRB	WA106	1106KRRB
LCRWA106	G1106KRRB	RGTA104B	GRA103RRB2	WA106C	1106KRR
LCRWA107	G1107KRRB	RGTA104BC	GRA103RR2	WA107	1107KRRB
LCWA014	1014KRRB	RGTA104C	GRA104RR	WA108	1108KRRB
LCWA100	1100KRRB	RGTA105	GRA105RRB	WA110	1110KRRB
LCWA101	1101KRRB	RGTA106	GRA106RRB	WA110*	1110KPPB4
LCWA102	1102KRRB	RGTA107	GRA107RRB	WA112	1112KRRB
LCWA104	1104KRRB	RGTA108	GRA108RRB	WA112*	1112KPPB4
LCWA104B	1103KRRB3	RGTA108C	GRA108RR	WE104BC	1103KRR3
LCWA106	1106KRRB	RGTA109	GRA109RRB	WE104C	1104KRR
LCWA107	1107KRRB	RWA100	G1100KRRB	WE107C	1107KRR
LCWA108	1108KRRB	RWA102	G1102KRRB	WE112C	1112KRR
LCWA110	1110KRRB	RWA104	G1104KRRB		

\* Must Specify Tri-Ply Seals

**ROBERTS TO FAFNIR INTERCHANGE**

ROBERTS	FAFNIR	ROBERTS	FAFNIR	ROBERTS	FAFNIR
CEPA-10L	G1010KRR	CSPF-19	RA103RR	F3-47	47MS ZP
CEPA-12L	G1012KRR	CSPF-20H	RA104RR	F3-52	52MS ZP
CEPA-14	G1014KRR	CSPF-20L	RA103RR2	F3-62	62MS ZP
CEPA-15	G1015KRR	CSPF-21	RA105RR	F3-72	72MS ZP
CEPA-16	G1100KRR	CSPF-22	RA106RR	F3Y-52	G52MSB ZP
CEPA-18	G1102KRR	CSPF-23	RA107RR	F3Y-62	G62MSB ZP
CEPA-19	G1103KRR	EPA-8	G1008KRRB	F3Z-52	G52MSA ZP
CEPA-20L	G1104KRR	EPA-10L	G1010KRRB	F3Z-62	G62MSA ZP
CEPA-22	G1106KRR	EPA-12L	G1012KRRB	F3Z-72	G72MSA ZP
CEPA-23	G1107KRR	EPA-14	G1014KRRB	GSPF-16	RA100RR
CEPA-24L	G1108KRR	EPA-15	G1015KRRB	GSPF-24L	RA108RR
CEPF-8	1008KRR	EPA-16	G1100KRRB	R3Y-72	G72MSB ZP
CEPF-10L	1010KRR	EPA-18	G1102KRRB	SPA-8	GRA008RRB
CEPF-12L	1012KRR	EPA-19	G1103KRRB	SPA-10L	GRA010RRB
CEPF-14	1014KRR	EPA-20H	G1104KRRB	SPA-12L	GRA012RRB
CEPF-15	1015KRR	EPA-20L	G1103KRRB3	SPA-14	GRA014RRB
CEPF-16	1100KRR	EPA-21	G1105KRRB	SPA-15	GRA015RRB
CEPF-18	1102KRR	EPA-22	G1106KRRB	SPA-16	GRA100RRB
CEPF-19	1103KRR	EPA-23	G1107KRRB	SPA-18	GRA102RRB
CEPF-20H	1104KRR	EPA-24L	G1108KRRB	SPA-19	GRA103RRB
CEPF-20L	1103KRR3	EPF-8	1008KRRB	SPA-20H	GRA104RRB
CEPF-21	1105KRR	EPF-10L	1010KRRB	SPA-20L	GRA103RRB2
CEPF-22	1106KRR	EPF-12L	1012KRRB	SPA-21	GRA105RRB
CEPF-23	1107KRR	EPF-14	1014KRRB	SPA-22	GRA106RRB
CEPF-24L	1108KRR	EPF-15	1015KRRB	SPA-23	GRA107RRB
CSPA-8	GRA008RR	EPF-16	1100KRRB	SPA-24L	GRA108RRB
CSPA-10L	GRA010RR	EPF-18	1102KRRB	SPF-8	RA008RRB
CSPA-12L	GRA012RR	EPF-19	1103KRRB	SPF-10L	RA010RRB
CSPA-14	GRA014RR	EPF-20H	1104KRRB	SPF-12L	RA012RRB
CSPA-16	GRA100RR	EPF-20L	1103KRRB3	SPF-14	RA014RRB
CSPA-18	GRA102RR	EPF-21	1105KRRB	SPF-15	RA015RRB
CSPA-19	GRA103RR	EPF-22	1106KRRB	SPF-16	RA100RRB
CSPA-20H	GRA104RR	EPF-23	1107KRRB	SPF-18	RA102RRB
CSPA-20L	GRA103RR2	EPF-24L	1108KRRB	SPF-19	RA103RRB
CSPA-24L	GRA108RR	F2-40	40MST ZP	SPF-20H	RA104RRB
CSPF-8	RA008RR	F2-47	47MST ZP	SPF-20L	RA103RRB2
CSPF-10L	RA010RR	F2-52	52MST ZP	SPF-21	RA105RRB
CSPF-12L	RA012RR	F2-62	62MST ZP	SPF-22	RA106RRB
CSPF-14	RA014RR	F2-72	72MST ZP	SPF-23	RA107RRB
CSPF-15	RA015RR	F3-40	40MS ZP	SPF-24L	RA108RRB
CSPF-18	RA102RR				



## SEALMASTER TO FAFNIR INTERCHANGE

SEALMASTER	FAFNIR	SEALMASTER	FAFNIR	SEALMASTER	FAFNIR
SSF-12	47MS ZP	SSFF-26, SSFF-27,	85MS ZP	SSFT-18, SSFT-19,	62MST ZP
SSF-14, SSF-15,	52MS ZP	SSFF-28	" "	SSFT-20R	" "
SSF-16	" "	SSFF-30, SSFF-31	90MS ZP	SSFT-8, SSFT-10	40MST ZP
SSF-18, SSF-19,	62MS ZP	SSFF-32, SSFF-33,	100MS ZP	TSSF-12	47MSTR ZP
SSF-20R	" "	SSFF-34	" "	TSSF-14, TSSF-15,	52MSTR ZP
SSF-20, SSF-21,	72MS ZP	SSFT-12	47MST ZP	TSSF-16	" "
SSF-22, SSF-23	" "	SSFT-14, SSFT-15,	52MST ZP	TSSF-18, TSSF-19,	62MSTR ZP
SSFF-24, SSFF-25	80MS ZP	SSFT-16	" "	TSSF-20R	" "

## SKF TO FAFNIR INTERCHANGE

SKF	FAFNIR	SKF	FAFNIR	SKF	FAFNIR
454203-008	RA008RRB	477211-200	G1200KRRB	FT-47	47MST ZP
454203-010	RA010RRB	477211-203	G1203KRRB	FT-52	52MST ZP
454204-012	RA012RRB	477212-204	G1204KRRB	FT-62	62MST ZP
454205-014	RA014RRB	477212-207	G1207KRRB	FT-72	72MST ZP
454205-015	RA015RRB	478203-008	RA008RR	YEL-204-012	G1012KRRB
454205-100	RA100RRB	478203-010	RA010RR	YEL-205-013	G1013KRRB
454206-101	RA101RRB	478204-012	RA012RR	YEL-205-014	G1014KRRB
454206-102	RA102RRB	478204-012VSB	GRA012RR	YEL-205-015	G1015KRRB
454206-103	RA103RRB	478205-014	RA014RR	YEL-205-100	G1100KRRB
454206-104	RA103RRB2	478205-015	RA015RR	YEL-206-102	G1102KRRB
454207-104	RA104RRB	478205-100	RA100RR	YEL-206-103	G1103KRRB
454207-105	RA105RRB	478205-100VSB	GRA100RR	YEL-207-105	G1105KRRB
454207-106	RA106RRB	478206-101	RA101RR	YEL-207-106	G1106KRRB
454207-107	RA107RRB	478206-102	RA102RR	YEL-207-107	G1107KRRB
477204-012	G1012KRRB	478206-102VSB	GRA102RR	YEL-207-104	G1104KRRB
477205-013	G1013KRRB	478206-103	RA103RR	YEL-208-108	G1108KRRB
477205-014	G1014KRRB	478206-103VSB	GRA103RR	YEL-209-110	G1110KRRB
477205-015	G1015KRRB	478206-104	RA103RR2	YEL-209-111	G1111KRRB
477205-100	G1100KRRB	478206-104VSB	GRA104RR	YEL-209-112	G1112KRRB
477206-102	G1102KRRB	478207-104	RA104RR	YEL-210-115	G1115KRRB
477206-103	G1103KRRB	478207-105	RA105RR	YEL-211-200	G1200KRRB
477207-105	G1105KRRB	478207-106	RA106RR	YEL-211-203	G1203KRRB
477207-106	G1106KRRB	478207-107	RA107RR	YEL-212-204	G1204KRRB
477207-107	G1107KRRB	F-40	40MS ZP	YEL-212-207	G1207KRRB
477207-104	G1104KRRB	F-47	47MS ZP	YET203-008	GRA012RR
477208-108	G1108KRRB	F-52	52MS ZP	YET205-100	GRA100RR
477209-110	G1110KRRB	F-62	62MS ZP	YET206-102	GRA102RR
477209-111	G1111KRRB	F-72	72MS ZP	YET206-103	GRA103RR
477209-112	G1112KRRB	FT-40	40MST ZP	YWT207-104	GRA104RR
477210-115	G1115KRRB				