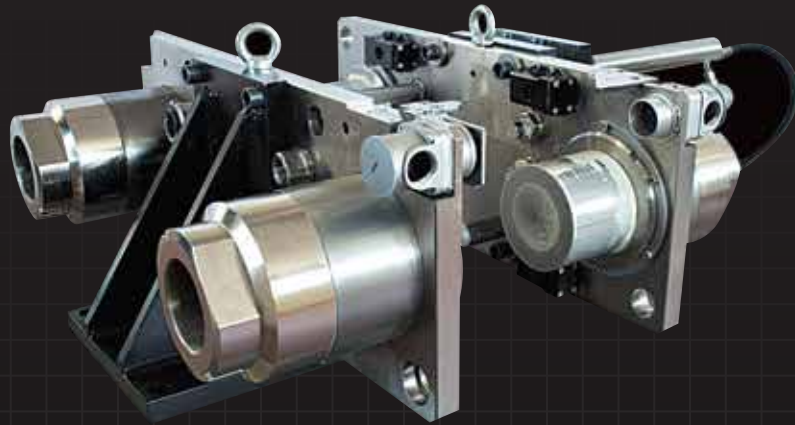
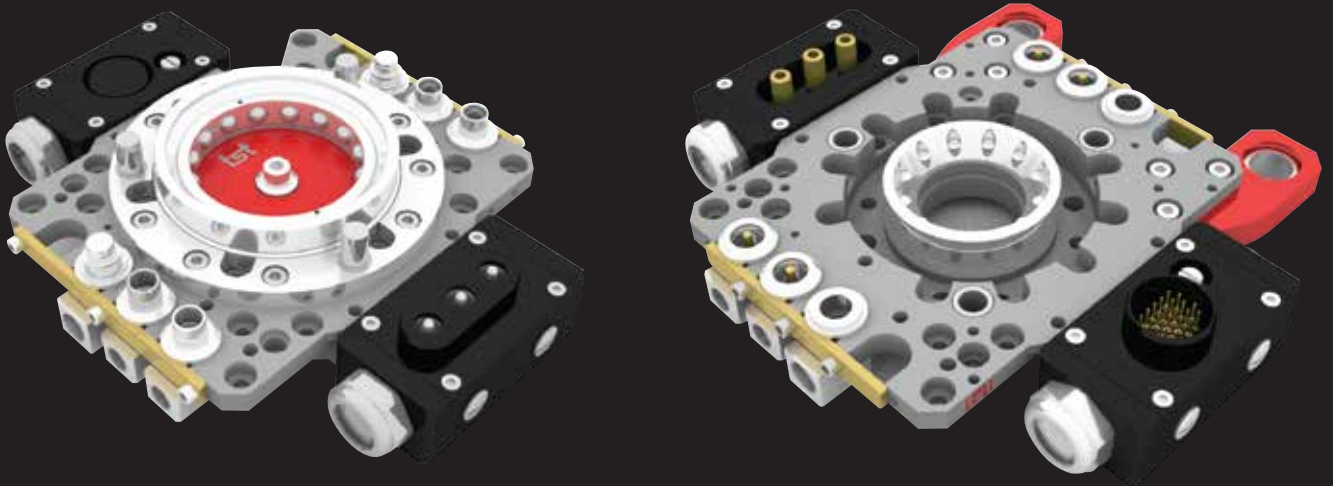




CONNECTOR TECHNOLOGY  
AUTOMATION IN ROBOT-DOCKING AND TOOL-CHANGING SYSTEMS



ELECTRICAL  
CONNECTOR 360



CONNECTOR TECHNOLOGY

## Electrical Connectors

360.01 / M1 Serie ( Ø 28 ) Page: 06

360.02 / M2 Serie ( Ø 38 ) Page: 12

360.03 / M3 Serie ( Ø 52 ) Page: 18

360.04 / M4 Serie ( Ø 72 ) Page: 24

## Tool Changers & Accesories

Tool Changer Page: 34

Accesories Page: 43



[www.tst-tamsan.com](http://www.tst-tamsan.com)



**tst** Connector System

**tst** contacts are based on the spring technology especially developed for robotic docking and tool changing systems. Inside a spring socket there are preformed spring forming a sleeve held in place on one end and free into a socket, the spring expand independently and form a resilient cage with a large number of linear contact points along the pin's contact area.

Advantages of **tst** spring connectors

- o Very high contact reliability
- o High current carrying capability
- o Low contact resistance
- o Low insertion and withdrawal force
- o High surge resistance
- o Excellent shock and vibration performance

**tst** connectors can be used:

- o Robot Docking System
- o Tool Changing System
- o Manifold System
- o Test and Measurement
- o Medical Instrumentation
- o Aerospace
- o Robotics
- o Machine Tooling
- o Telecommunications
- o Heavy Industries



## Application

The **tst** connector is design to operate in automated production facilities. Application areas include; docking systems for automatic test and measurement equipment, automated assembly lines, tool changing equipment for manifold systems, machining, molding equipment and robotics.

The product line consists of housing in three sizes, various styles of insulator bodies, and contacts which have either crimp or solder cup termination. Crimp contacts can be easily inserted into the insulator body in a matter of seconds. Removal is just as simple. Contacts with solder cup termination are permanently fixed into the insulator and cannot be removed. Because of the critical requirement for a very high number of mating cycles, contact performance is of special importance.

## Housing

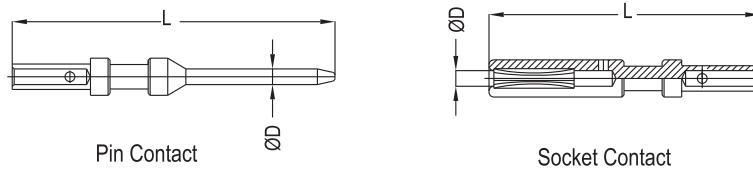
Precision in the alignment of the two opposing connector halves reduces wear on contacts which has a significant impact on the operation life time of the connector. Connector shells (housing) of **tst** connector are especially designed docking plates in a floating configuration and are prevented from rotation by dimensionally keyed locator pins. The engagement system has a conical lead-in which assures positive mating as the two connector halves come together. Housings and carriers ( insulators ) are splash-water protected .

Shells are made of anodized aluminium and plastic. Three shell sizes are available.

Assembly of the **tst** dock is simple. The shells ( housing ) are inserted from the rear into the cut-outs into the docking plates. They are then locked into the docking plates form the front with locking rings. The docking plates have locator pins which fit into corresponding holes in the connector flanges. The locator pins are polarized to assure proper orientation an to avoid mismating of the connector.

Straight and right-angle cable adaptors are offered for all three shell (housing) sizes. In addition, custom configurations are available to meet special requirements.

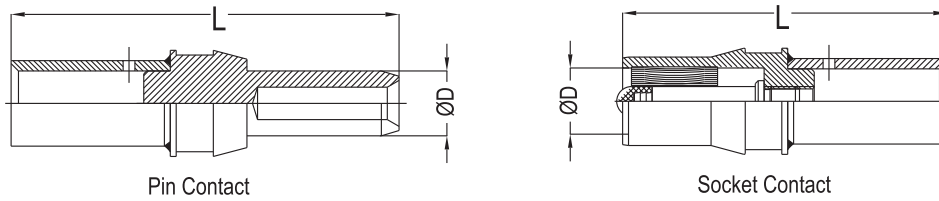
Cable adaptors accept all standard cable screw termination.



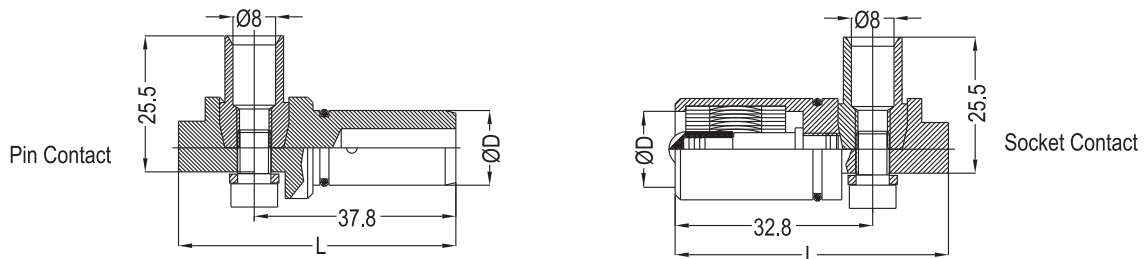
ØD Pins Or Socket (mm)	Pin		Socket		Insulator Type
	L	Order No	L	Order No	
1	24.5	360 PIN 0010	19	360 SOC 0010	360.01-(18 +PE)
1.5	33	360 PIN 0015	28	360 SOC 0015	360.01-(6 +PE) 360.02-(15 +PE) 360.03-(24 +PE) 360.03-(27 +PE) 360.03-(36 +PE) 360.04-(70 +2PE)
2	33	360 PIN 0020	28	360 SOC 0020	360.01-(6 +PE) 360.02-(15 +PE)
2	33	360 PIN 0020-1	28	360 SOC 0020-1	360.03-(36 +PE)
2	33	360 PIN 0020-2	28	360 SOC 0020-2	360.03-(36 +PE)
2	29	360 PIN 0020-3	25.2	360 SOC 0020-3	360.01-(6 +PE) 360.02-(15 +PE) 360.03-(24 +PE) 360.03-(27 +PE) 360.03-(36 +PE) 360.04-(70 +2PE)
2	26	360 PIN 0020-AL	25	360 SOC 0020-AL	360.01-(6 +PE) 360.02-(15 +PE) 360.03-(24 +PE) 360.03-(27 +PE) 360.03-(36 +PE) 360.04-(70 +2PE)
2	26	360 PIN 0020-CR	25	360 SOC 0020-CR	360.01-(6 +PE) 360.02-(15 +PE) 360.03-(24 +PE) 360.03-(27 +PE) 360.03-(36 +PE) 360.04-(70 +2PE)
3	35	360 PIN 0030	30.5	360 SOC 0030	360.01-(2 +PE) 360.02-(4 +PE) 360.02-(6 +PE)
3	41	360 PIN 0030-1	32.5	360 SOC 0030-1	360.03-(13 +PE)

Socket And Pins  
Standard products have silver plating.

OPTION  
If the plating gold please add end of the order no AU



ØD Pins Or Socket (mm)	Pin		Socket		Insulator Type
	L	Order No	L	Order No	
5	50.2	360 PIN 0050-06	36	360 SOC 0050-06	360.03-(6 +PE)
5	52.5	360 PIN 0050-10	38	360 SOC 0050-10	360.03-(6 +PE)
6	53.5	360 PIN 0060-06	38	360 SOC 0060-06	360.03-(2 +PE)
6	53.5	360 PIN 0060-10	38	360 SOC 0060-10	360.03-(2 +PE)
6	53.5	360 PIN 0060-16	38	360 SOC 0060-16	360.03-(2 +PE)
6	53.5	360 PIN 0060-25	38	360 SOC 0060-25	360.03-(2 +PE)
8	57	360 PIN 0080-25	41.5	360 SOC 0080-25	360.03-(2 +PE)
8	58	360 PIN 0080-35	42.5	360 SOC 0080-35	360.03-(2 +PE)
11	58	360 PIN 0110-25	47	360 SOC 0110	360.04-(2 +PE)
11	63	360 PIN 0110-38	51	360 SOC 0110	360.04-(2 +PE)
11	66	360 PIN 0110-50	55	360 SOC 0110	360.04-(2 +PE)



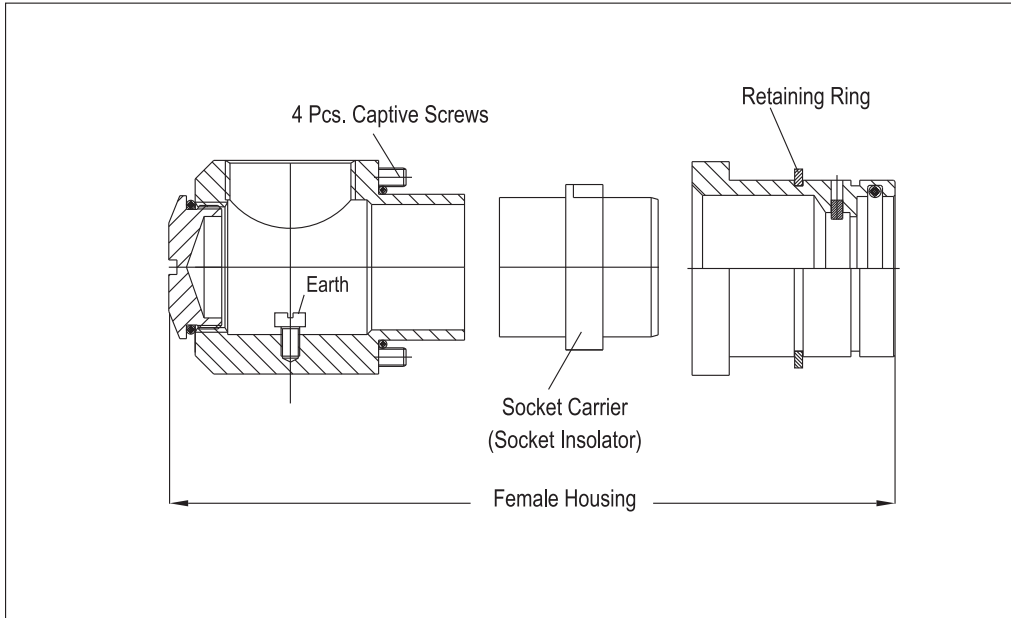
Electrical Power Connection Or The Tool Changer

ØD Pins Or Socket (mm)	Cross Section (mm²)	Pin		Socket	
		L	Order No	L	Order No
14	38	52	360 PIN 0140	47	360 SOC 0140

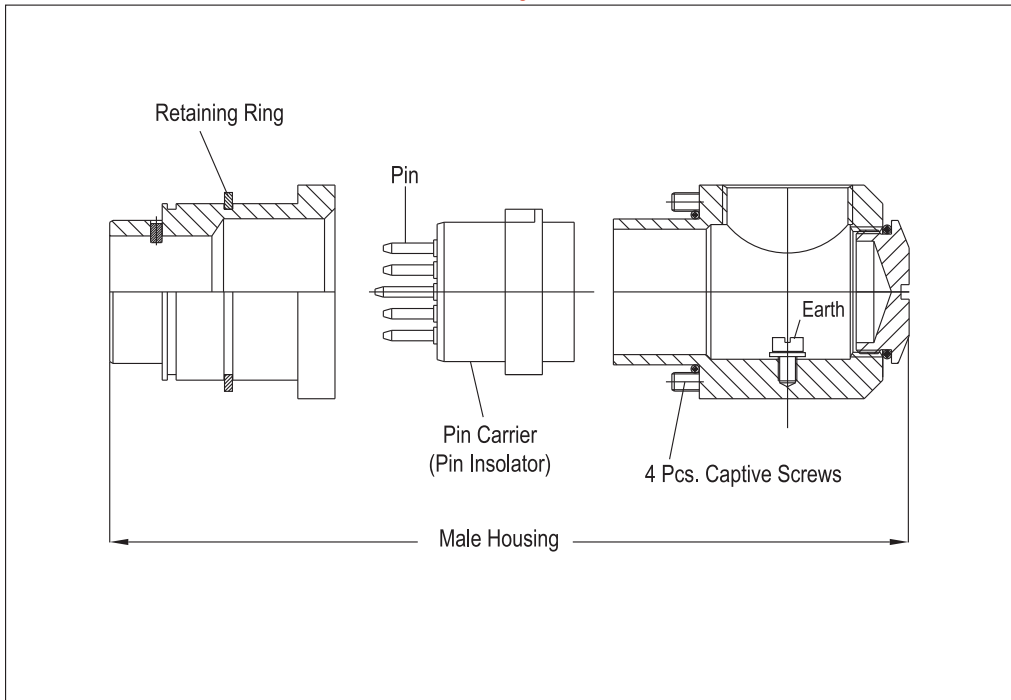
Socket And Pins  
Standard products have silver plating.

OPTION  
If the plating gold please add end of the order no AU

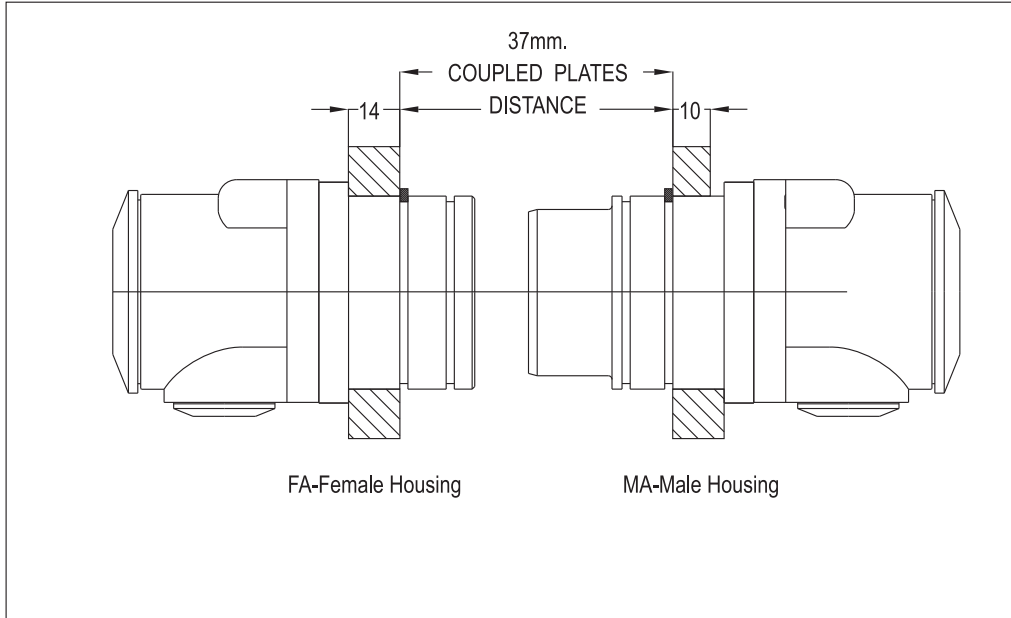
### 360 Installation Of Socket Carriers Into The Female Housing



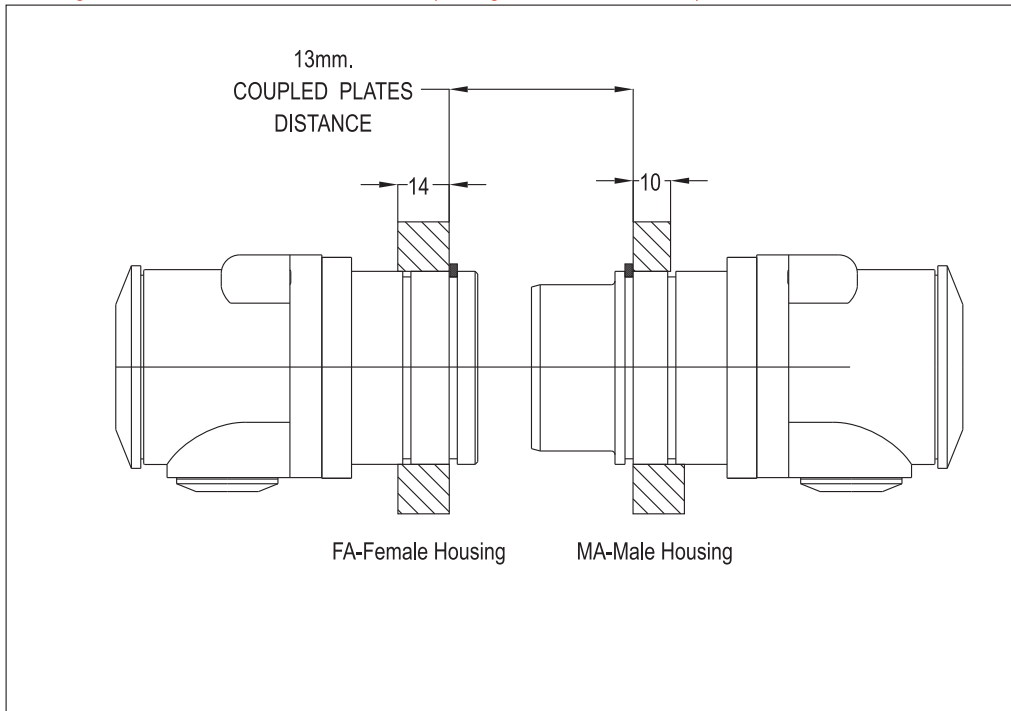
### 360 Installation Of Pin Carriers Into The Male Housing



Housing For Pin / Socket Carriers - 37mm ( Straight Port Or 90° Port )

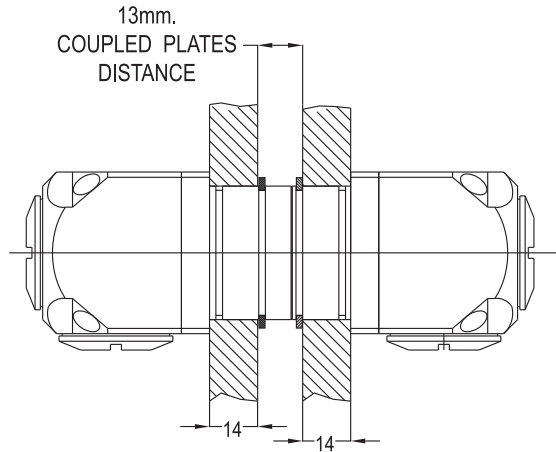


Housing For Pin / Socket Carriers - 13mm ( Straight Port Or 90° Port )

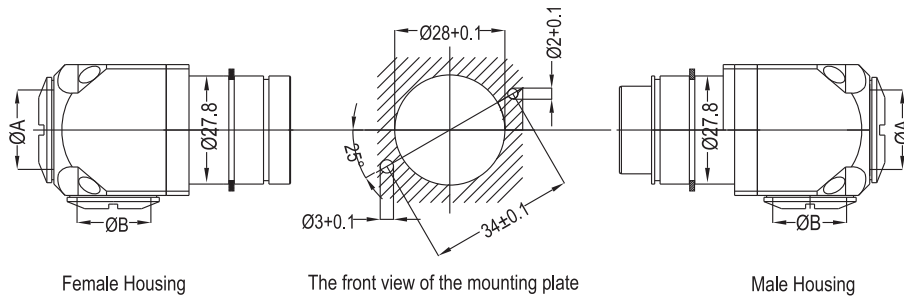




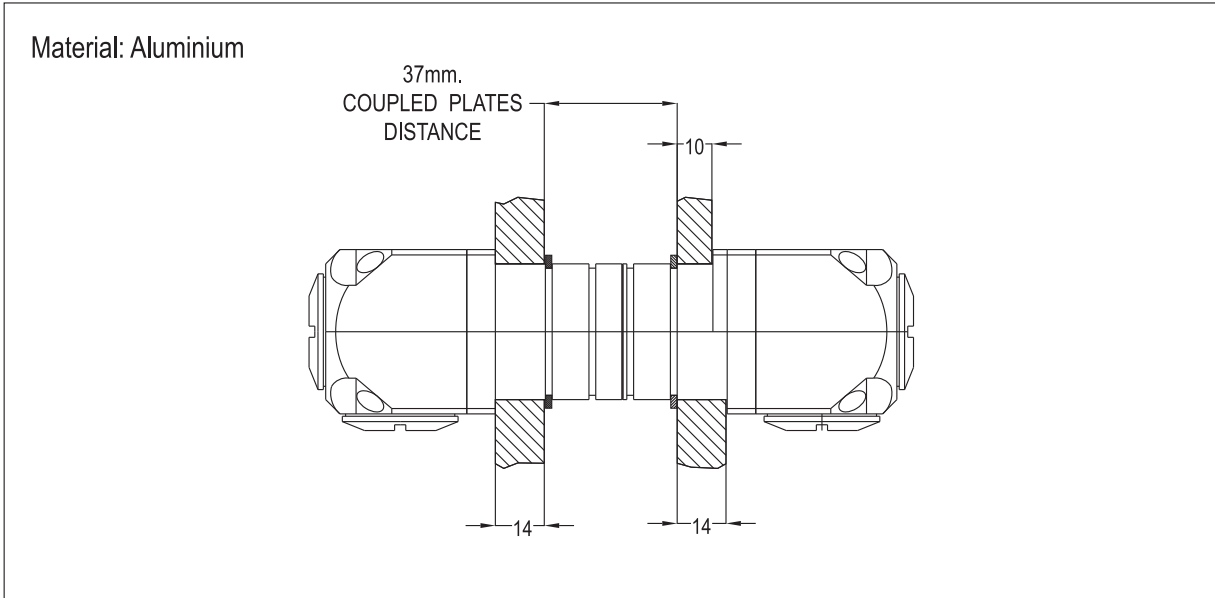
Material: Aluminium



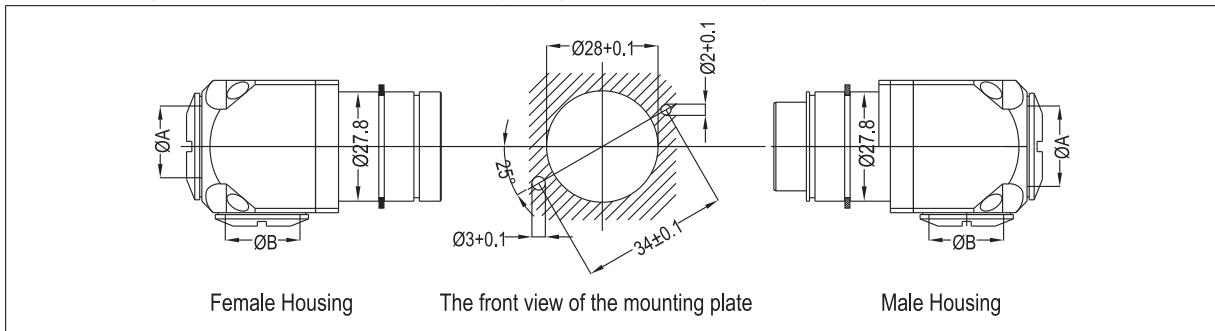
360-01 Housing For Pin / Socket Carriers -13mm ( Straight Port Or 90° Port )



Side Connections		Plate Thickness	Female Housing Without Socket Carrier & Socket	Male Housing Without Pin Carrier & Pin
$\varnothing A$	$\varnothing B$		Order No	Order No
PG 13.5	PG 13.5	10	360.01FP-P010	360.01MP-P010
PG 13.5	PG 13.5	14	360.01FP-P014	360.01MP-P014
NPT 1/2"	NPT 1/2"	10	360.01FP-N010	360.01MP-N010
NPT 1/2"	NPT 1/2"	14	360.01FP-N014	360.01MP-N014

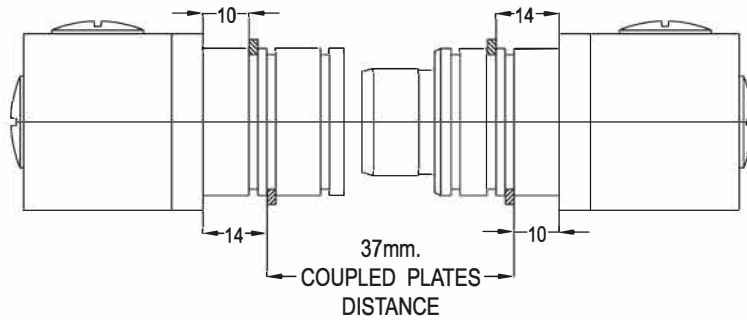


360-01 Housing For Pin / Socket Carriers- 37mm ( Straight Port Or 90° Port )

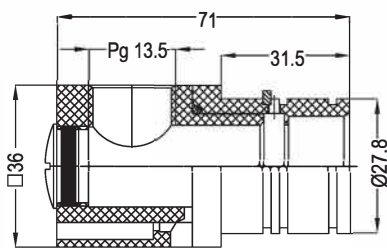


Side Connections		Plate Thickness	Female Housing Without Socket Carrier & Socket	Male Housing Without Pin Carrier & Pin
ØA	ØB		Order No	Order No
PG 13.5	PG 13.5	10		360.01MA-P010
PG 13.5	PG 13.5	14	360.01 FA-P014	360.01MA-P014
NPT 1/2"	NPT 1/2"	10		360.01MA-N010
NPT 1/2"	NPT 1/2"	14	360.01 FA-N014	360.01MA-N014

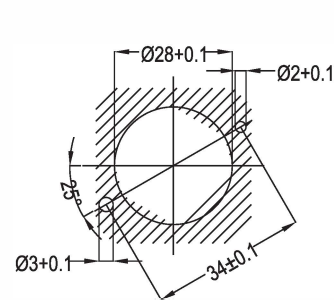
Material: Plastic (POM)



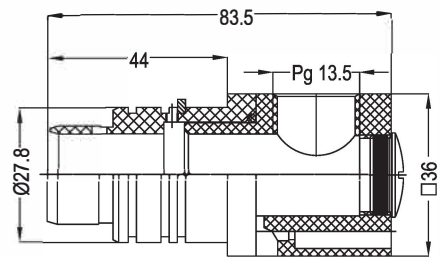
360-M1 Housing For Pin / Socket Carriers - 37mm ( Straight Port Or 90° Port )



Female Housing



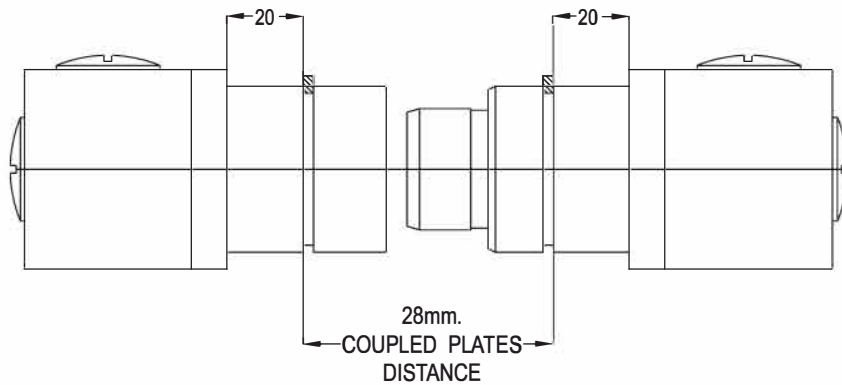
The front view of the mounting plate



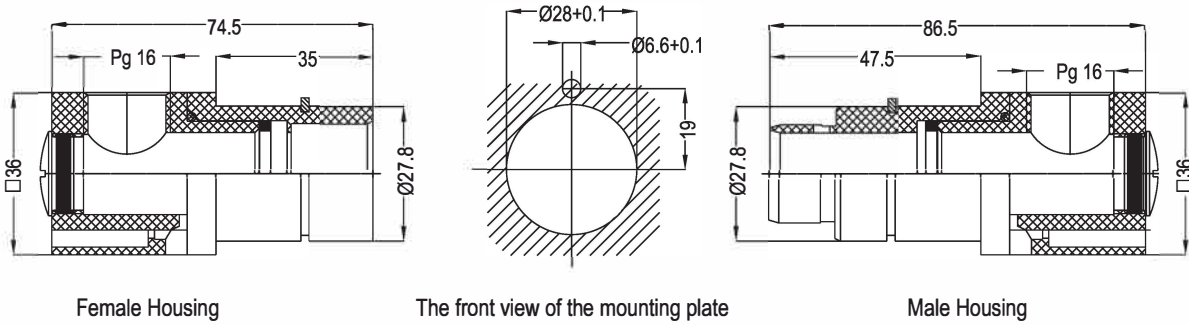
Male Housing

Side Connections		Plate Thickness (mm.)	Female Housing Without Socket Carrier & Socket	Male Housing Without Pin Carrier & Pin
ØA	ØB		Order No	Order No
PG 13.5	PG 13.5	10	360.M1FP-P010	360.M1MP-P010
PG 13.5	PG 13.5	14	360.M1FP-P014	360.M1MP-P014

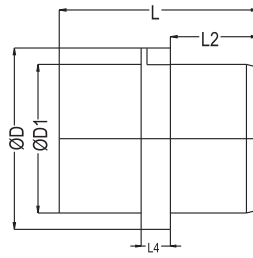
Material: Plastic (POM)  
Option: Alü.



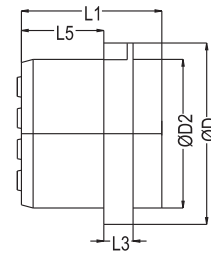
360-E1 Housing For Pin / Socket Carriers - 28mm ( Straight Port Or 90° Port )



Side Connections		Plate Thickness (mm.)	Female Housing Without Socket Carrier & Socket	Male Housing Without Pin Carrier & Pin
ØA	ØB		Order No	Order No
PG 16	PG 16	20	360.E1FP-P020	360.E1MP-P020

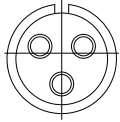
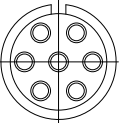
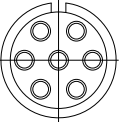
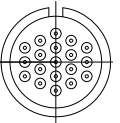


Socket Carriers  
(Socket Insulator)



Pin Carriers  
(Pin Insulator)

**360-01 Socket & Pin Carriers (Insulators)**

RUBBER Pin / Socket Carriers (Insulator)	No Of Pins or Socket (Pcs.)	Dimensions									Order No	
		ØD	ØD1	ØD2	L	L1	L2	L3	L4	L5	Without Socket	Without Pin
	Ø3 3 2 + Earth	21.5	17	17	37	28	15	3.7	5	16.5	360.01SB-0330	360.01PB-03530
	Ø2 7 6 + Earth	21.5	17	17	37	28	15	3.7	5	16.5	360.01SB-0720	360.01PB-0720
	Ø1.5 7 6 + Earth	21.5	17	17	37	28	15	3.7	5	16.5	360.01SB-0715	360.01PB-0715
	Ø1 19 18+ Earth	21.5	17	17	34	24.5	15	3.7	5	16.5	360.01SB-1910	360.01PB-1910

**Working Temperature Of Carrier (Insulator)**

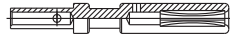
Temperature Range	Material of carrier
-10°C +100°C	NBR (Nitrile)
-40°C +120°C	CR (Neopren)
-10°C +200°C	FPM (Fluoroelastomer)
-55°C +200°C	Silicone
-60°C +140°C	EPDM (Ethylenepropylen)

Socket And Pin

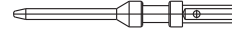
Standard products have silver plating.

OPTION

If the plating is gold please add AU at the end of the order number



Socket Contact



Pin Contact

360-01 Socket / Pin Carriers (Insulators)

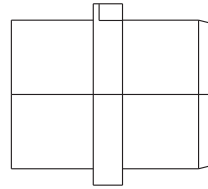
RUBBER Pin / Socket Carriers (Insulator)	No Of Pins or Socket (Pcs.)	Ø Pins Or Socket mm.	Current For Each Pins In Use (A)	Voltage (V)	Cross Section Of the connection Vire (mm <sup>2</sup> )
	3 2+ Earth	3	36	250	2.5 - 4
	7 6 + Earth	2	16	250	0.5-1.5
	7 6 + Earth	1.5	16	250	0.5-1.5
	19 18 + Earth	1	5	250	0.2 - 1.0

Socket And Pin

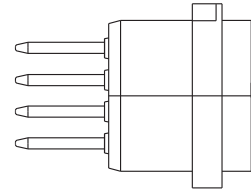
Standard products have silver plating.

OPTION

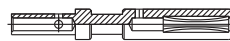
If the plating gold please add end of the order no AU



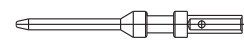
Socket Carriers Complete  
(Socket Insulator)



Pin Carriers Complete  
(Pin Insulator)

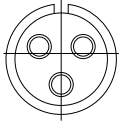
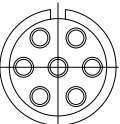
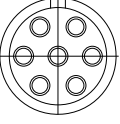
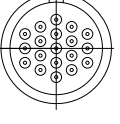


Socket Contact



Pin Contact

**360-01 Socket / Pin Carriers (Insulators)**

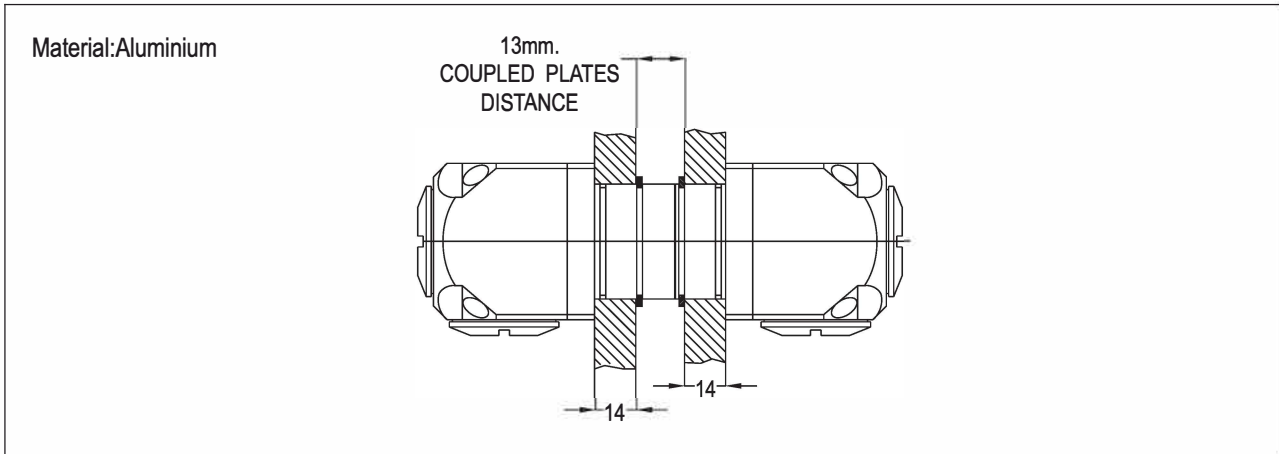
RUBBER Pin / Socket Carriers (Insulator)	No Of Pins or Socket (Pcs.)	Ø Pins Or Socket mm.	Cross Section mm <sup>2</sup>	Order No			
				Socket Carriers With Socket	Socket	Pin Carriers With Pin	Pin
	3 2 + Earth	3	2.5 - 4	360.01SD-0330	360 SOC 0030	360.01PD-0330	360 PIN 0030
	7 6 + Earth	2	0.5 - 1.5	360.01SD-0720	360 SOC 0020	360.01PD-0720	360 PIN 0020
	7 6 + Earth	1.5	0.5 - 1.5	360.01SD-0715	360 SOC 0015	360.01PD-0715	360 PIN 0015
	19 18+ Earth	1	0.25 - 0.75	360.01SD-1910	360 SOC 00210	360.01PD-1910	360 PIN 0010

Socket And Pin

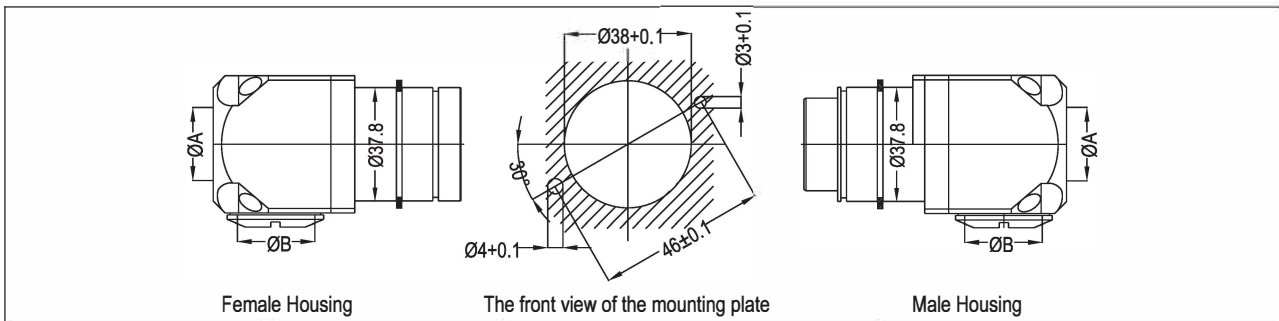
Standard products have silver plating.

OPTION

If the plating is gold please add AU at the end of the order number

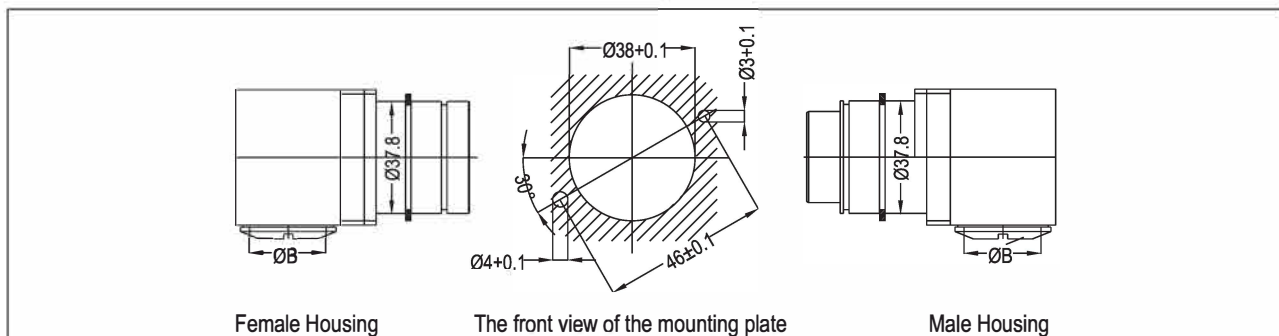


### 360-02 Housing For Pin / Socket Carriers - 13mm ( Straight Port Or 90° Port )



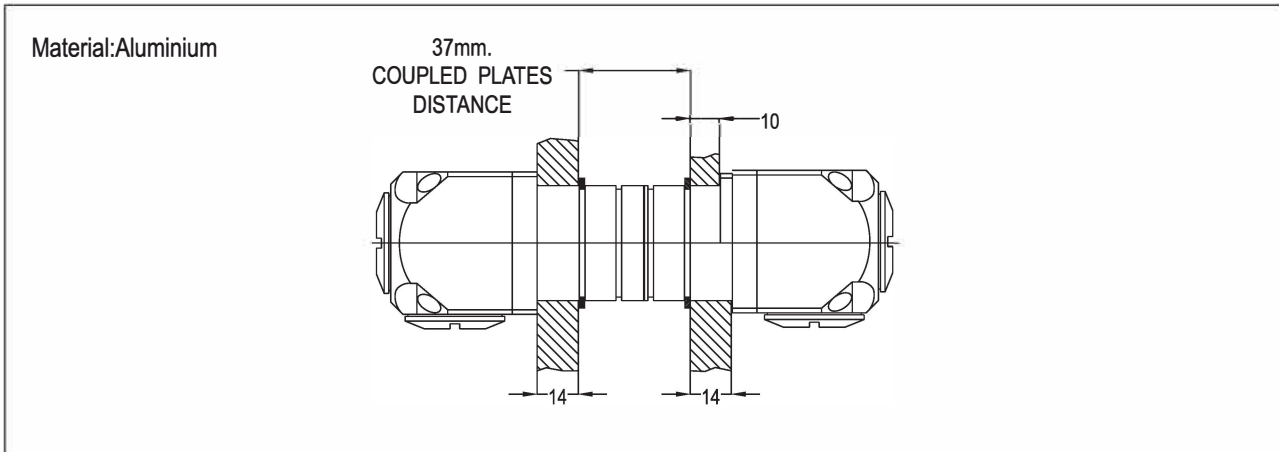
Side Connections		Plate Thickness	Female Housing Without Socket Carrier & Socket	Male Housing Without Pin Carrier & Pin
ØA	ØB		Order No	Order No
PG 21	PG 21	10	360.02FP-P010	360.02MP-P010
PG 21	PG 21	14	360.02FP-P014	360.02MP-P014
NPT 3/4"	NPT 3/4"	10	360.02FP-N010	360.02MP-N010
NPT 3/4"	NPT 3/4"	14	360.02FP-N014	360.02MP-N014

### 360-02 Compact Housing For Pin / Socket Carriers - 13mm ( 90° Port )

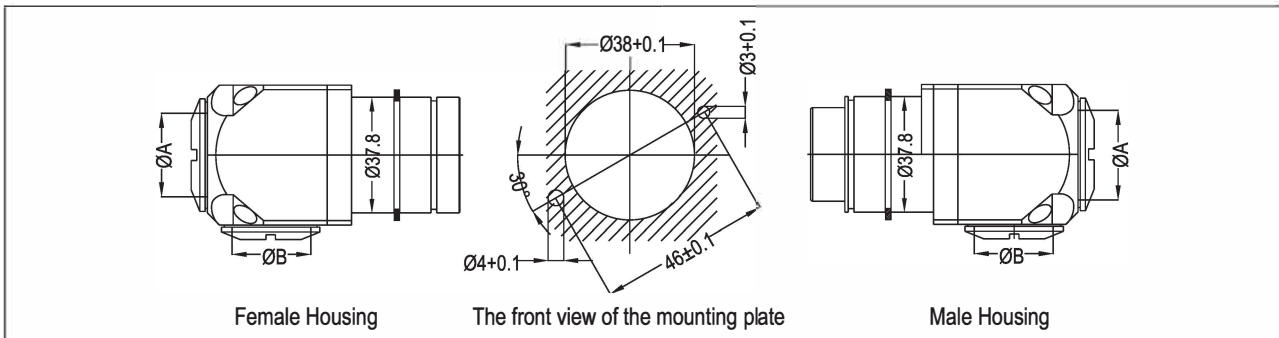


Side Connections		Plate Thickness	Female Housing Without Socket Carrier & Socket	Male Housing Without Pin Carrier & Pin
ØA	ØB		Order No	Order No
	PG 16	10		360.02MP-PK10
	PG 16	14	360.02FP-PK14	360.02MP-PK14



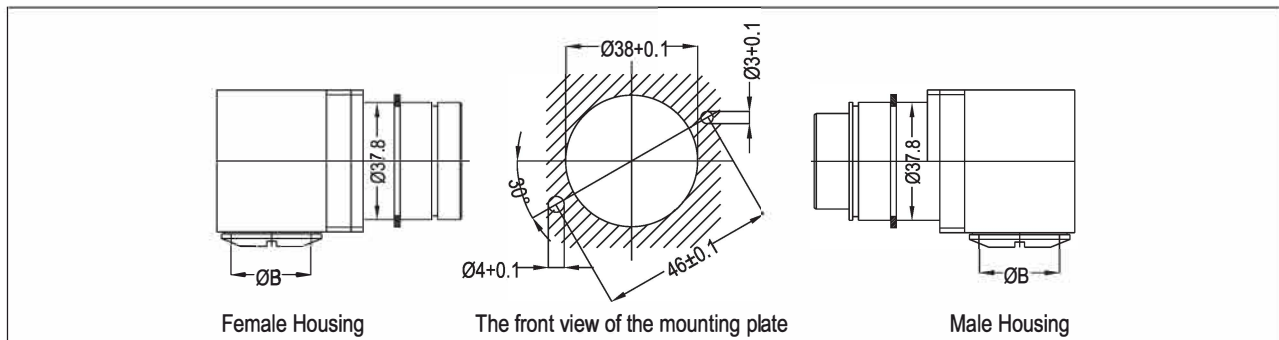


### 360-02 Housing For Pin / Socket Carriers- 37mm ( Straight Port Or 90° Port )



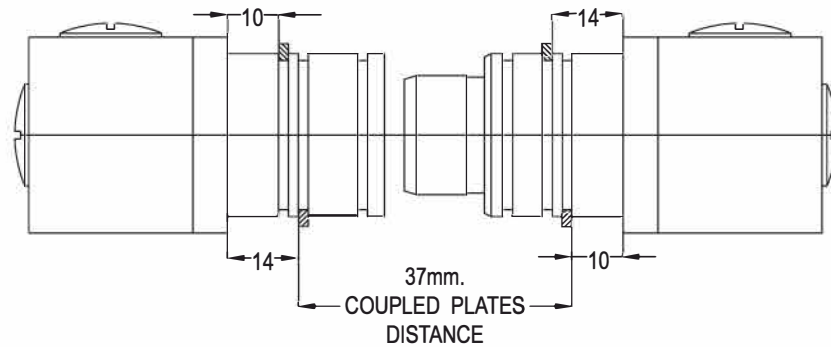
Side Connections		Plate Thickness	Female Housing Without Socket Carrier & Socket	Male Housing Without Pin Carrier & Pin
ØA	ØB		Order No	Order No
PG 21	PG 21	10		360.02MA-P010
PG 21	PG 21	14	360.02FA-N014	360.02MA-P014
NPT 3/4"	NPT 3/4"	10		360.02MA-N010
NPT 3/4"	NPT 3/4"	14	360.02FA-N014	360.02MA-N014

### 360-02 Compact Housing For Pin / Socket Carriers- 37mm ( 90° Port )

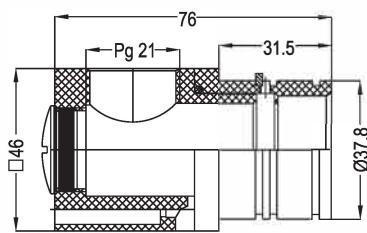


Side Connections		Plate Thickness	Female Housing Without Socket Carrier & Socket	Male Housing Without Pin Carrier & Pin
ØA	ØB		Order No	Order No
	PG 16	10		360.02MA-PK10
	PG 16	14	360.02FA-PK14	360.02MA-PK14

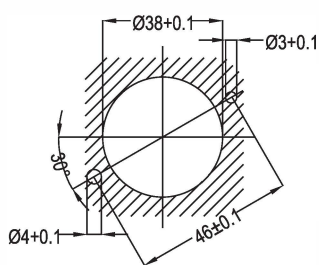
Material: Plastic (POM)



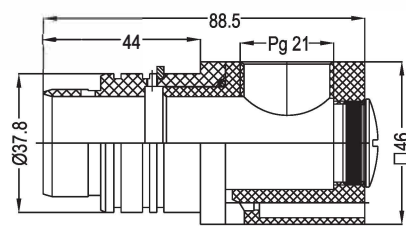
360-M2 Housing For Pin / Socket Carriers - 37mm ( Straight Port Or 90° Port )



Female Housing



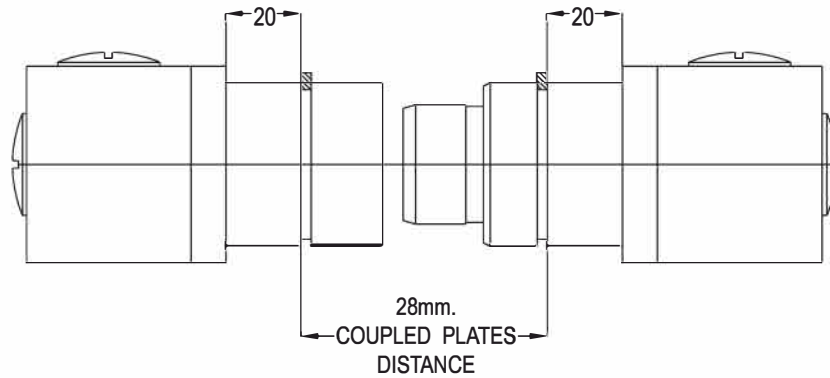
The front view of the mounting plate



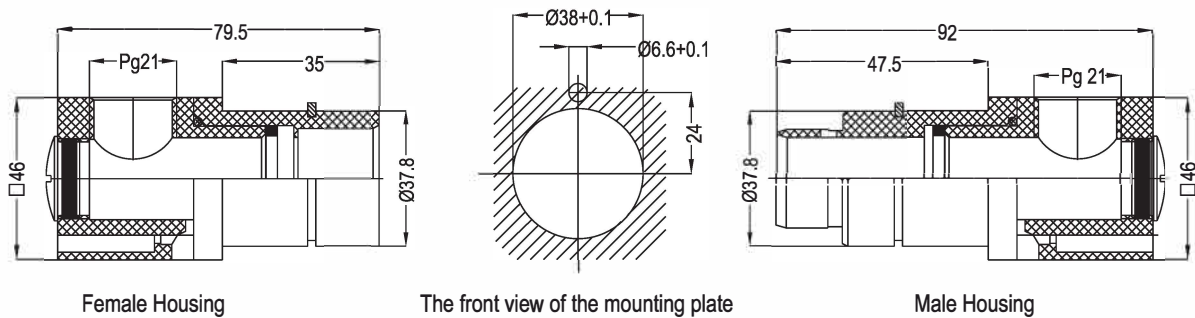
Male Housing

Side Connections		Plate Thickness (mm.)	Female Housing Without Socket Carrier & Socket	Male Housing Without Pin Carrier & Pin
ØA	ØB		Order No	Order No
PG 21	PG 21	10	360.M2FA-P010	360.M2MA-P010
PG 21	PG 21	14	360.M2FA-P014	360.M2MA-P014

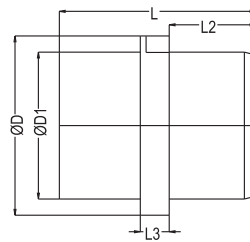
Material : Plastic (POM)  
Option: Alu.



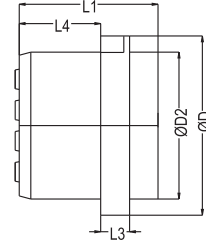
360-E2 Housing For Pin / Socket Carriers - 28mm ( Straight Port Or 90° Port )



Side Connections		Plate Thickness (mm.)	Female Housing Without Socket Carrier & Socket	Male Housing Without Pin Carrier & Pin
ØA	ØB		Order No	Order No
PG 21	PG 21	20	360.E2FP-P020	360.E2MP-P020

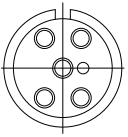
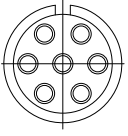
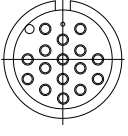
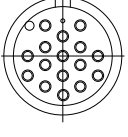


Socket Carriers  
(Socket Insulator)



Pin Carriers  
(Pin Insulator)

**360-02 Socket & Pin Carriers (Insulators)**

RUBBER Pin / Socket Carriers (Insulator)	No Of Pins or Socket (Pcs.)	Dimensions									Order No	
		ØD	ØD1	ØD2	L	L1	L2	L3	L4	Without Socket	Without Pin	
	Ø3 5 4 + Earth	31.5	25.5	25.5	38	15	5	8	15	360.02SB-0530	360.02PB-0530	
	Ø3 7 6 + Earth	31.5	25.5	25.5	38	15	5	8	15	360.02SB-0730	360.02PB-0730	
	Ø2 16 15 + Earth	31.5	25.5	25.5	34	15	5	8	15	360.02SB-1620	360.02PB-1620	
	Ø1.5 16 15 + Earth	31.5	25.5	25.5	34	15	5	8	15	360.02SB-1615	360.02PB-1615	

**Working Temperature Of Carrier (Insulator)**

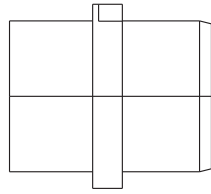
Temperature Range	Material of carrier
-10°C +100°C	NBR (Nitrile)
-40°C +120°C	CR (Neopren)
-10°C +200°C	FPM (Fluoroelastomer)
-55°C +200°C	Silicone
-60°C +140°C	EPDM (Ethylenepropylen)

Socket And Pin

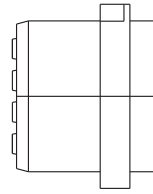
Standard products have silver plating.

OPTION

If the plating is gold please add AU at the end of the order number

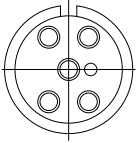
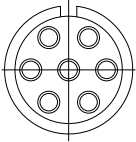
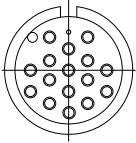
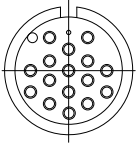


Socket Carriers  
(Socket Insulator)



Pin Carriers  
(Pin Insulator)

**360-02 Socket & Pin Carriers (Insulators)**

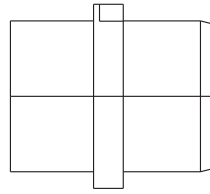
RUBBER Pin / Socket Carriers (Insulator)	No Of Pins or Socket (Pcs.)	Ø Pins Or Socket mm.	Current For Each Pins In Use (A)	Voltage (V)	Cross Section Of the connection Vire (mm <sup>2</sup> )
	5 4 + Earth	3	36	400	2.5 - 4
	7 6 + Earth	3	36	400	2.5 - 4
	16 15 + Earth	2	16	250	0.5 - 1.5
	16 15 + Earth	1.5	16	250	0.5 - 1.5

Socket And Pin

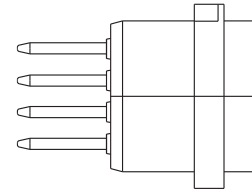
Standard products have silver plating.

OPTION

If the plating is gold please add AU at the end of the order number



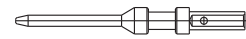
Socket Carriers Complete  
(Socket Insulator)



Pin Carriers Complete  
(Pin Insulator)



Socket Contact



Pin Contact

**360-02 Socket / Pin Carriers (Insulators)**

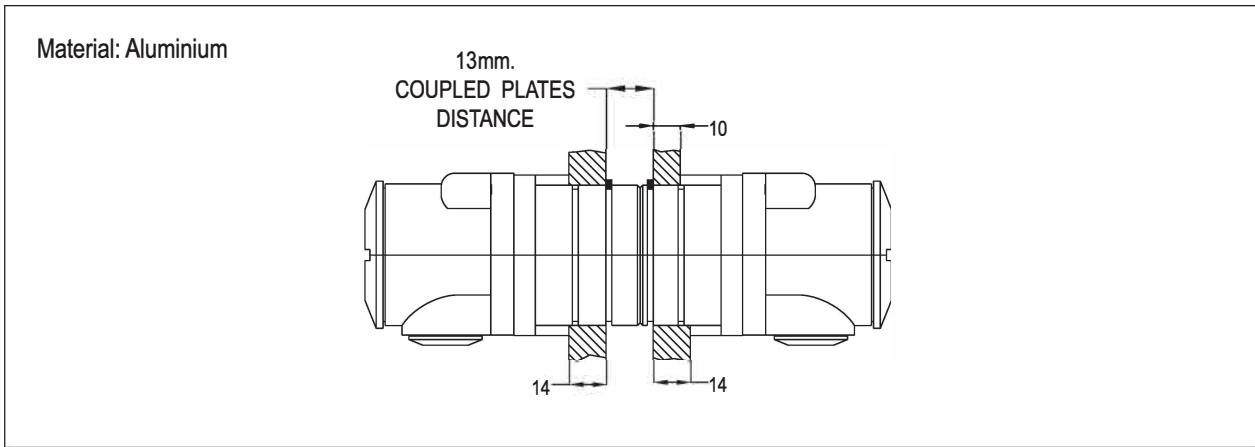
RUBBER Pin / Socket Carriers (Insulator)	No Of Pins or Socket (Pcs.)	Ø Pins Or Socket mm.	Cross Section mm <sup>2</sup>	Order No			
				Socket Carriers With Socket	Socket	Pin Carriers With Pin	Pin
	5 4 + Earth	3	2.5 - 4	360.02SD-0530	360 SOC 0030	360.02PD-0530	360 PIN 0030
	7 6 + Earth	3	2.5 - 4	360.02SD-0730	360 SOC 0030	360.02PD-0730	360 PIN 0030
	16 15 + Earth	2	0.5-1.5	360.02SD-1620	360 SOC 0020	360.02PD-1620	360 PIN 0020
	16 15 + Earth	1.5	0.5 - 1.0	360.02SD-1615	360 SOC 0015	360.02PD-1615	360 PIN 0015

Socket And Pin

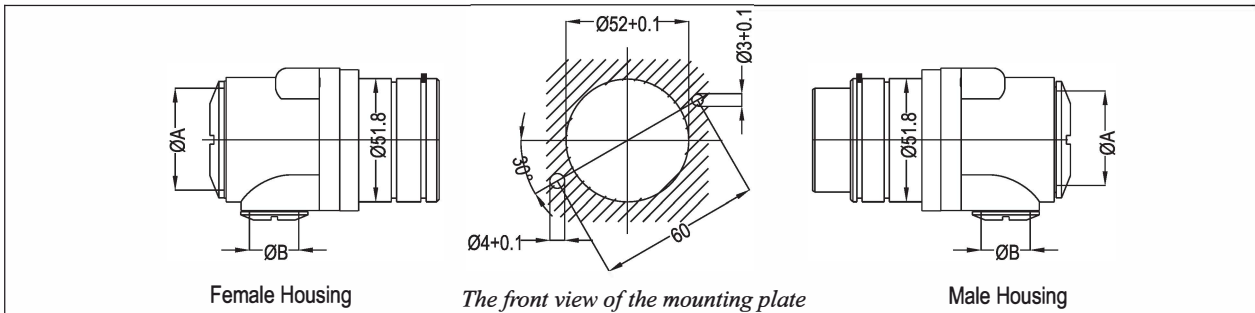
Standard products have silver plating.

OPTION

If the plating is gold please add AU at the end of the order number

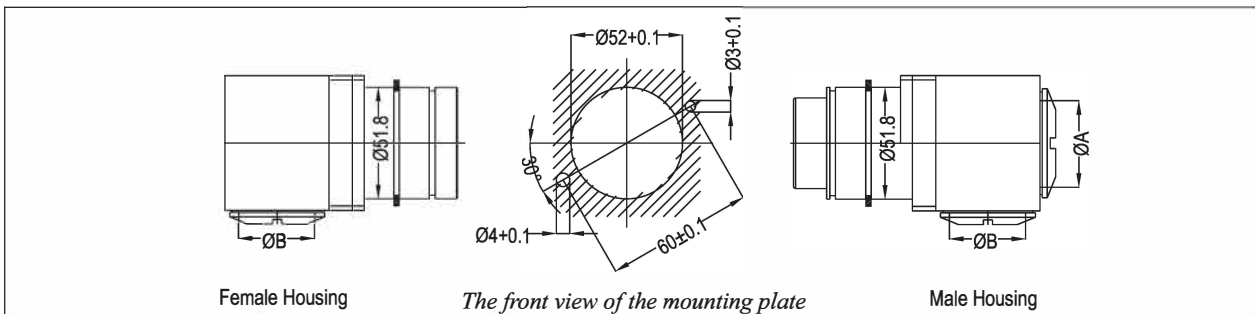


360-03 Housing For Pin / Socket Carriers - 13mm ( Straight Port Or 90° Port )

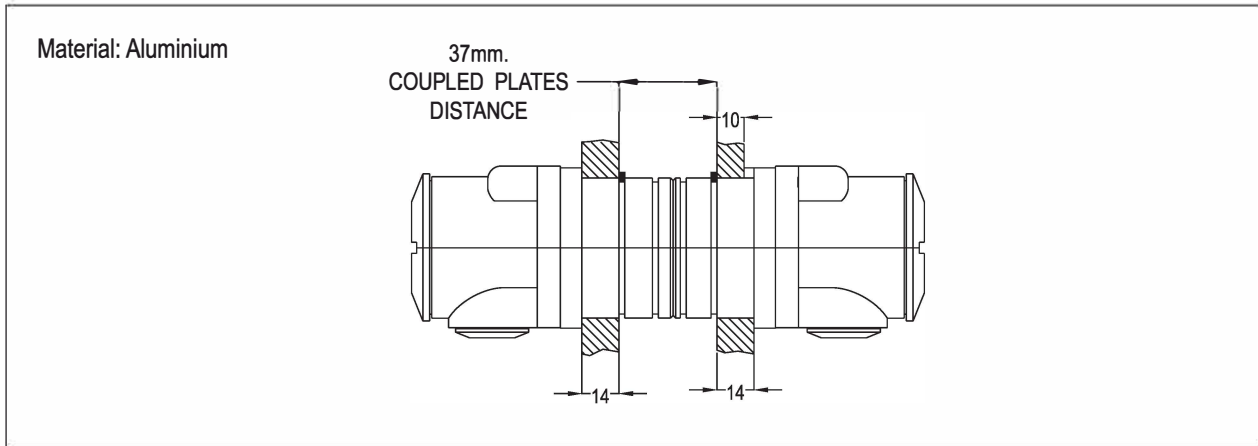


Side Connections		Plate Thickness	Female Housing Without Socket Carrier & Socket	Male Housing Without Pin Carrier & Pin
Ø A	Ø B		Order No	Order No
PG 36	PG 29	10	360.03FP-P010	360.03MP-P010
PG 36	PG 29	14	360.03FP-P014	360.03MP-P014
PG 36	NPT 1"	10	360.03FP-N010	360.03MP-N010
PG 36	NPT 1"	14	360.03FP-N014	360.03MP-N014
M40x1.5	M32x1.5	10	360.03FP-M010	360.03MP-M010
M40x1.5	M32x1.5	14	360.03FP-M014	360.03MP-M014

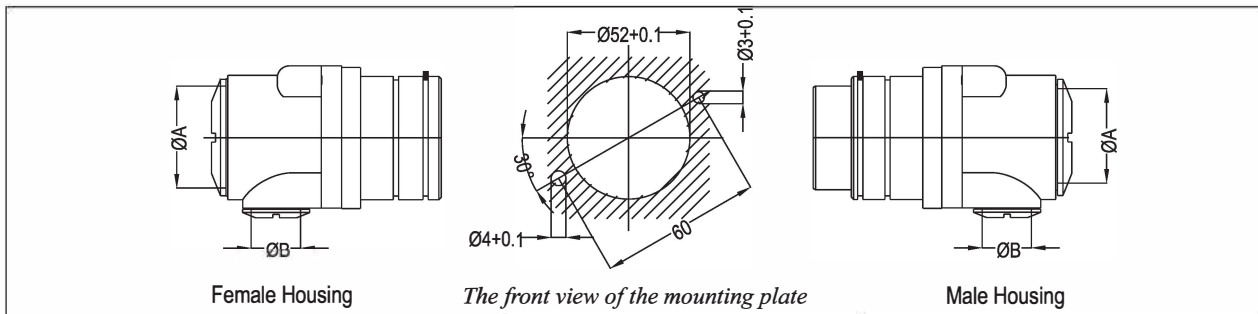
360-03 Compact Housing For Pin / Socket Carriers - 13mm ( 90° Port )



Side Connections		Plate Thickness	Female Housing Without Socket Carrier & Socket	Male Housing Without Pin Carrier & Pin
Ø A	Ø B		Order No	Order No
	PG 21	10	360.03FP-PK10	360.03MP-PK10
	PG 21	14	360.03FP-PK14	360.03MP-PK14
	M32x1.5	10	360.03FP-MK10	360.03MP-MK10
	M32x1.5	14	360.03FP-MK14	360.03MP-MK14

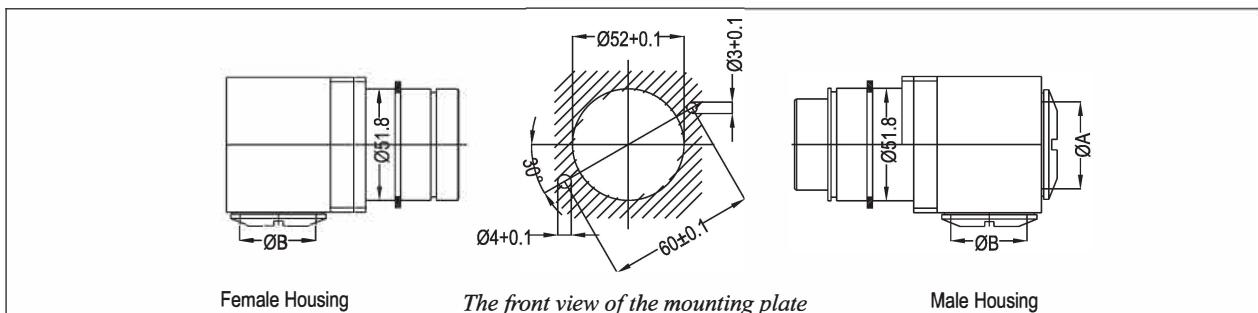


360-03 Housing For Pin / Socket Carriers - 37mm ( Straight Port Or 90° Port )



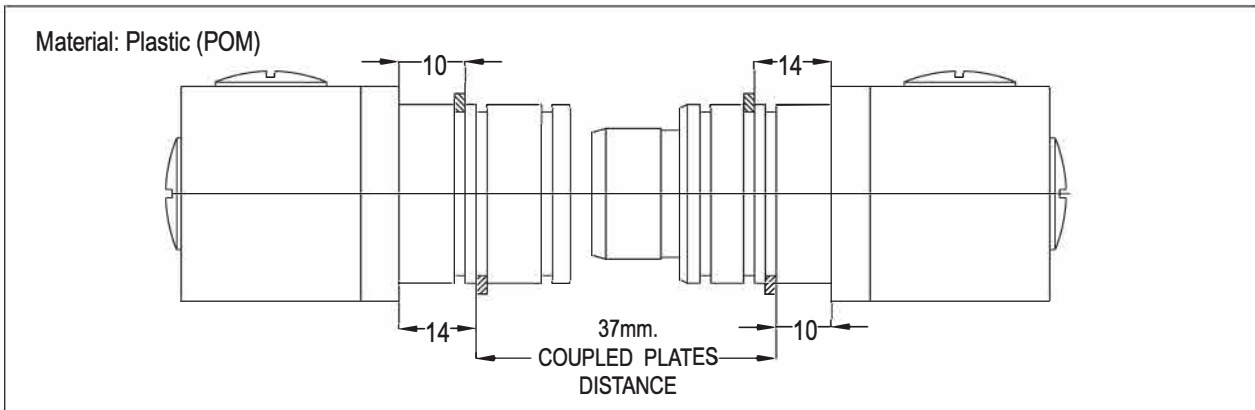
Side Connections		Plate Thickness	Female Housing Without Socket Carrier & Socket	Male Housing Without Pin Carrier & Pin
Ø A	ØB		Order No	Order No
PG 36	PG 29	10	360.03 FA-P010	360.03MA-P010
PG 36	PG 29	14	360.03 FA-P014	360.03MA-P014
PG 36	NPT 1"	10	360.03 FA-N010	360.03MA-N010
PG 36	NPT 1"	14	360.03 FA-N014	360.03MA-N014
M40x1.5	M32x1.5	10	360.03 FA-M010	360.03MA-M010
M40x1.5	M32x1.5	14	360.03 FA-M014	360.03MA-M014

360-03 Compact Housing For Pin / Socket Carriers - 37mm ( 90° Port )

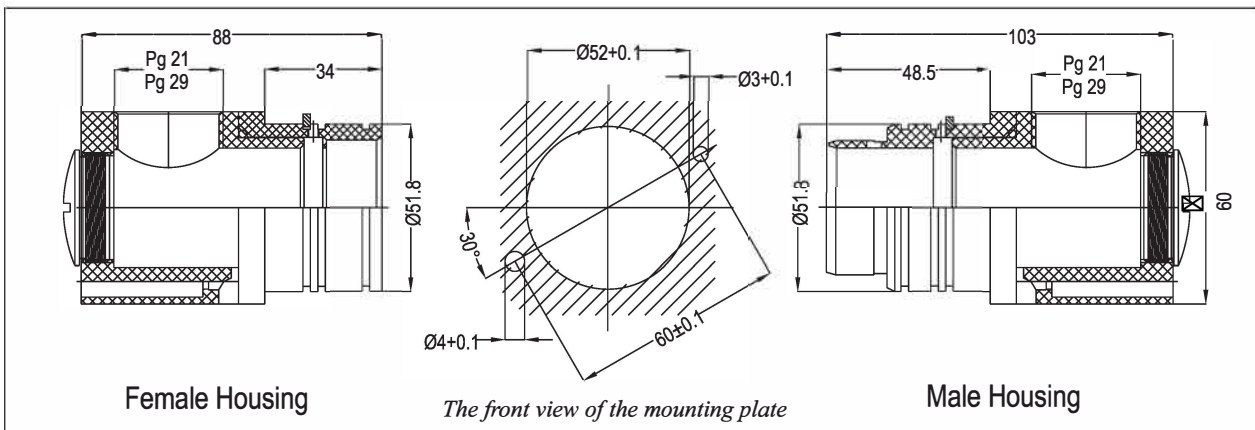


Side Connections		Plate Thickness	Female Housing Without Socket Carrier & Socket	Male Housing Without Pin Carrier & Pin
Ø A	ØB		Order No	Order No
	PG 21	10	360.03 FA-PK10	360.03MA-P010
	PG 21	14	360.03 FA-PK14	360.03MA-P014
	M32x1.5	10	360.03 FA-MK10	360.03MA-M010
	M32x1.5	14	360.03 FA-MK14	360.03MA-M014



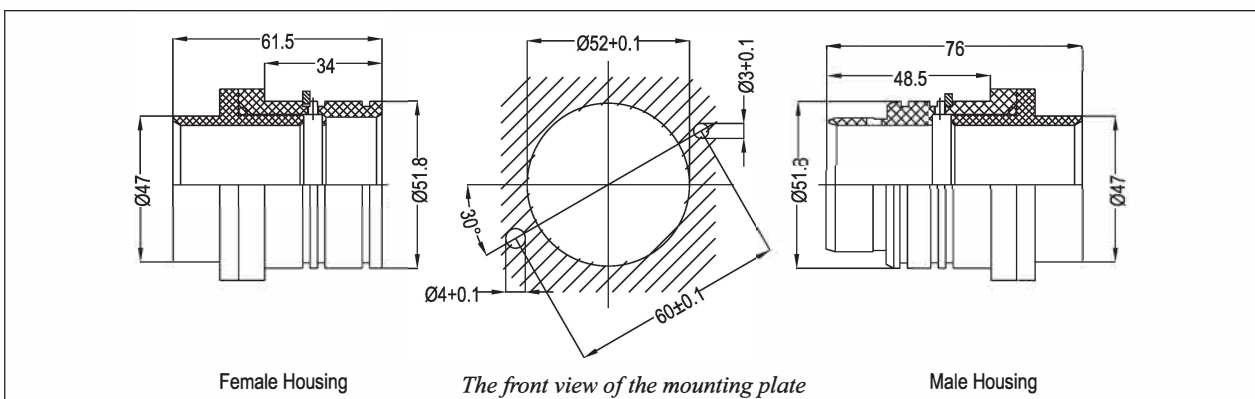


360-M 3 Housing For Pin / Socket Carriers - 37mm ( Straight Port Or 90° Port )



Side Connections		Plate Thickness	Female Housing Without Socket Carrier & Socket	Male Housing Without Pin Carrier & Pin
AØ	ØB		Order No	Order No
PG 21	PG 21	10	360.M3FA-P010-21	360.M3MA-P010-21
PG 21	PG 21	14	360.M3FA-P014-21	360.M3MA-P014-21
PG 29	PG 29	10	360.M3FA-P010-29	360.M3MA-P010-29
PG 29	PG 29	14	360.M3FA-P014-29	360.M3MA-P014-29

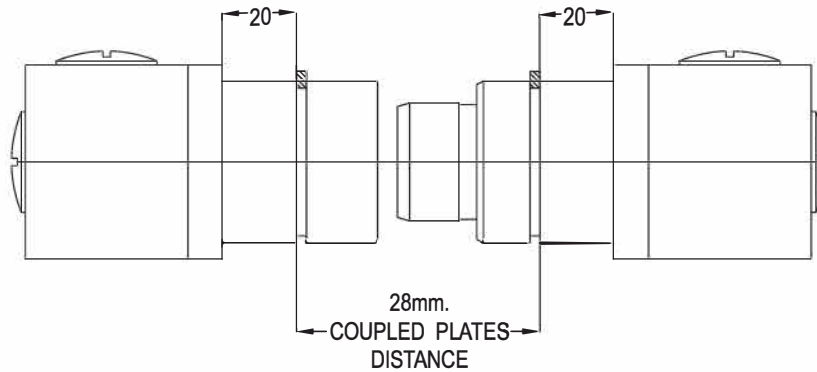
360-M3 Housing For Pin / Socket Carriers - 37mm ( Straight Port )



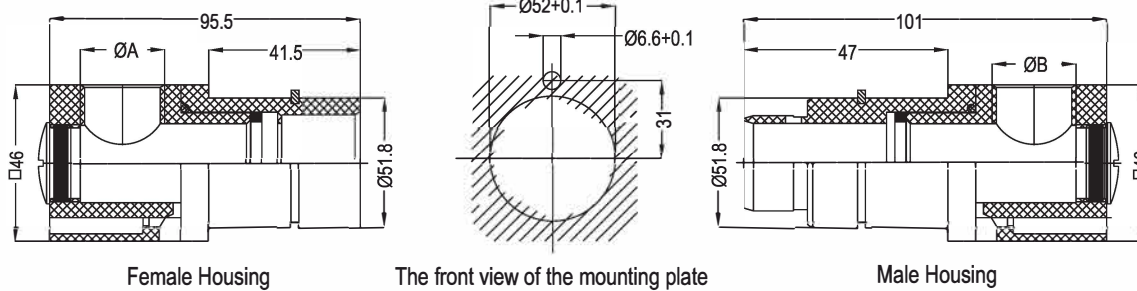
Side Connections		Plate Thickness	Female Housing Without Socket Carrier & Socket	Male Housing Without Pin Carrier & Pin
ØA	ØB		Order No	Order No
		10	360.M3FP-PK10	360.M3MP-PK10
		14	360.M3FP-PK14	360.M3MP-PK14

Material: Plastic (POM)

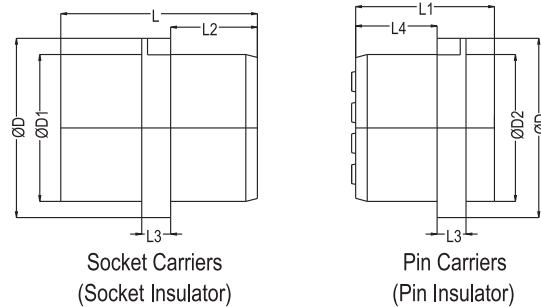
Option: Alü.



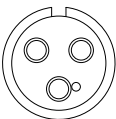
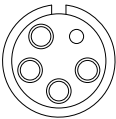
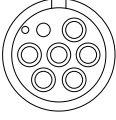
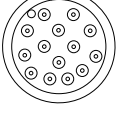
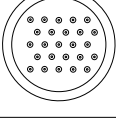
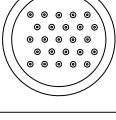
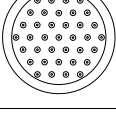
360-E3 Housing For Pin / Socket Carriers - 28mm ( Straight Port Or 90° Port )



Side Connections		Plate Thickness (mm.)	Female Housing Without Socket Carrier & Socket	Male Housing Without Pin Carrier & Pin
ØA	ØB		Order No	Order No
PG 21	PG 21	20	360.E3FP-P020-21	360.E3MP-P020-21
PG 29	PG 29	20	360.E3FP-P020-29	360.E3MP-P020-29



**360-03 Socket & Pin Carriers (Insulators)**

RUBBER Pin / Socket Carriers (Insulator)	No Of Pins or Socket (Pcs.)	Dimensions								Order No	
		ØD	ØD1	ØD2	L	L1	L2	L3	L4	Without Socket	Without Pin
	Ø6mm. 3 2 + Earth	45.8	40	40	34	45	15	8	9.5	360.03SB-0360	360.03PB-0360
	Ø6 5 4 + Earth	45.8	40	40	48	40	21	8	9.5	360.03SB-0560	360.03PB-0560
	Ø5 7 6 + Earth	45.8	39.5	40	48	40	21	8	9.5	360.03SB-0750	360.03PB-0750
	Ø3 14 13 + Earth	45.8	39.5	40	48	32	21	8	9.5	360.03SB-1430	360.03PB-1430
	Ø1.5 25 24 + Earth	45.8	39.5	40	34	24.2	21	8	9.5	360.03SB-2515	360.03PB-2515
	Ø1.5 27 26 + Earth	45.8	39.5	40	34	24.2	21	8	9.5	360.03SB-2715	360.03PB-2715
	Ø1.5-Ø2 37 36 + Earth	45.8	39.5	40	34	24.2	21	8	9.5	360.03SB-3715	360.03PB-3715
										360.03SB-3720	360.03PB-3720

**Working Temperature Of Carrier (Insulator)**

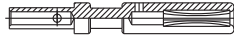
Temperature Range	Material of carrier
-10°C +100°C	NBR (Nitrile)
-40°C +120°C	CR (Neopren)
-10°C +200°C	FPM (Fluoroelastomer)
-55°C +200°C	Silicone
-60°C +140°C	EPDM (Ethylenpropylen)

Socket And Pin

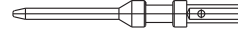
Standard products have silver plating.

OPTION

If the plating is gold please add AU at the end of the order number



Socket Contact



Pin Contact

360-03 Socket & Pin Carriers (Insulators)

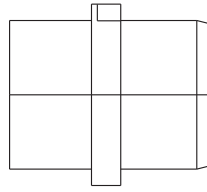
RUBBER Pin / Socket Carriers (Insulator)	No Of Pins or Socket (Pcs.)	Ø Pins Or Socket mm.	Current For Each Pins In Use (A)	Voltage (V)	Cross Section Of the connection Vire (mm <sup>2</sup> )
	3 2 + Earth	6	135	630	25
			110	630	16
			80	630	10
		8	135	630	25
			150	630	35
	5 4 + Earth	6	63	400	16
			90	400	16
	7 6 + Earth	5	63	400	10
			50	400	10
	14 13 + Earth	3	27	400	2.5 - 4
			27	400	2.5 - 4
	25 24 + Earth	1.5	16	250	0.5 - 1.5
		16	250	0.5 - 1.5	
2	25	250	1.5 - 2.5		
		1.5	16	250	0.5 - 1.5
16			250	0.5 - 1.5	
2		25	250	1.5 - 2.5	
			1.5	16	250
16	250			0.5 - 1.5	
2	25		250	1.5 - 2.5	

Socket And Pin

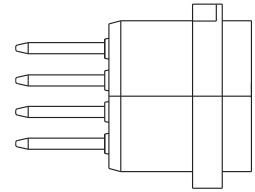
Standard products have silver plating.

OPTION

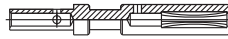
If the plating is gold please add AU at the end of the order number



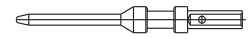
Socket Carriers Complete  
(Socket Insulator)



Pin Carriers Complete  
(Pin Insulator)

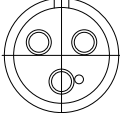
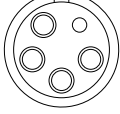
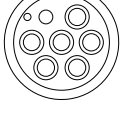
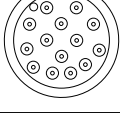
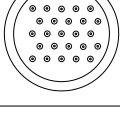
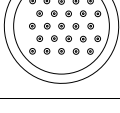
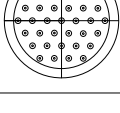


Socket Contact



Pin Contact

### 360-03 Socket & Pin Carriers (Insulators)

RUBBER Pin / Socket Carriers (Insulator)	No Of Pins or Socket (Pcs.)	Ø Pins Or Socket mm.	Cross Section mm <sup>2</sup>	Order No			
				Socket Carriers With Socket	Socket	Pin Carriers With Pin	Pin
	3 2 + Earth	6	16	360.03SD-0360	360 SOC 0060	360.03PD-0360	360 PIN 0060
	5 4 + Earth	6	16	360.03SD-0560	360 SOC 0060	360.03PD-0560	360 PIN 0060
	7 6 + Earth	5	10	360.03SD-0750	360 SOC 0050	360.03PD-0750	360 PIN 0050
	14 13 + Earth	3	2.5 - 4	360.03SD-1430	360 SOC 0030	360.03PD-1430	360 PIN 0030
	25 24 + Earth	1.5	0.5 - 1.5	360.03SD-2515	360 SOC 0015	360.03PD-2515	360 PIN 0015
	27 26 + Earth	1.5	0.5 - 1.5	360.03SD-2715	360 SOC 0015	360.03PD-2715	360 PIN 0015
	37 36 + Earth	1.5	0.5 - 1.5	360.03SD-3715	360 SOC 0015	360.03PD-3715	360 PIN 0015
		2	1.5 - 2.5	360.03SD-3720	360 SOC 0020	360.03PD-3720	360 PIN 0020

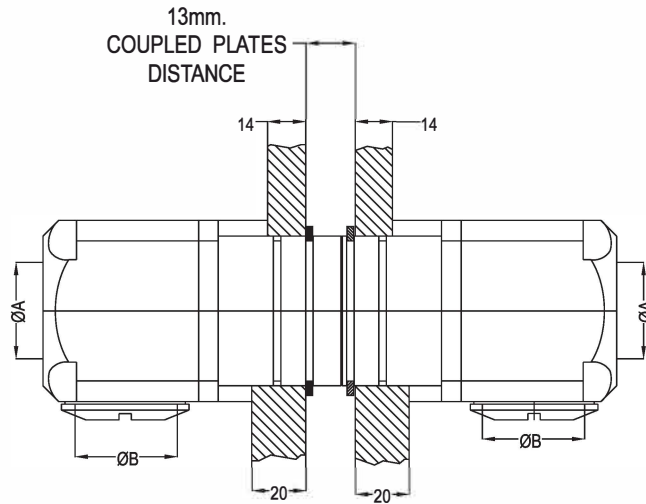
Socket And Pin

Standard products have silver plating.

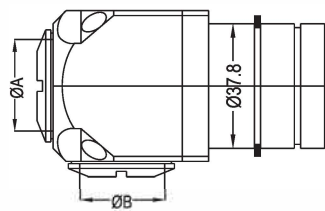
OPTION

If the plating is gold please add AU at the end of the order number

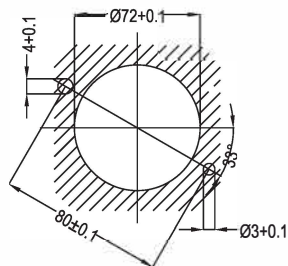
Material: Aluminium



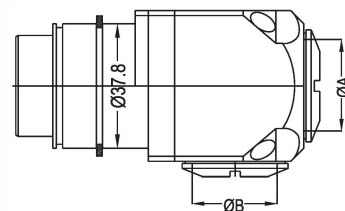
060-04 Housing For Pin / Socket Carriers - 13mm ( Straight Port Or 90° Port )



Female Housing



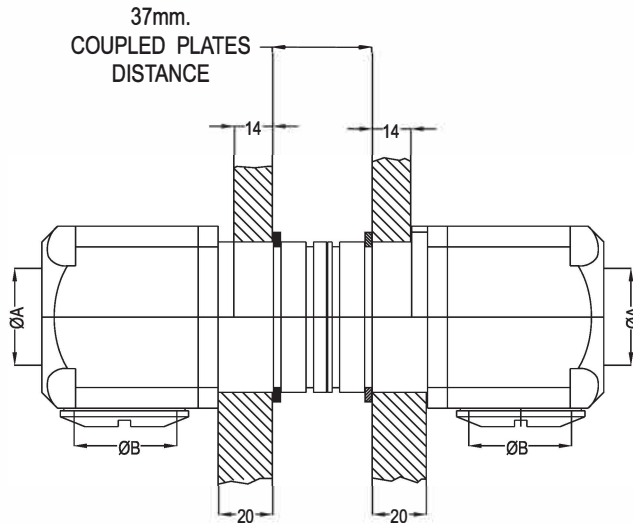
The front view of the mounting plate



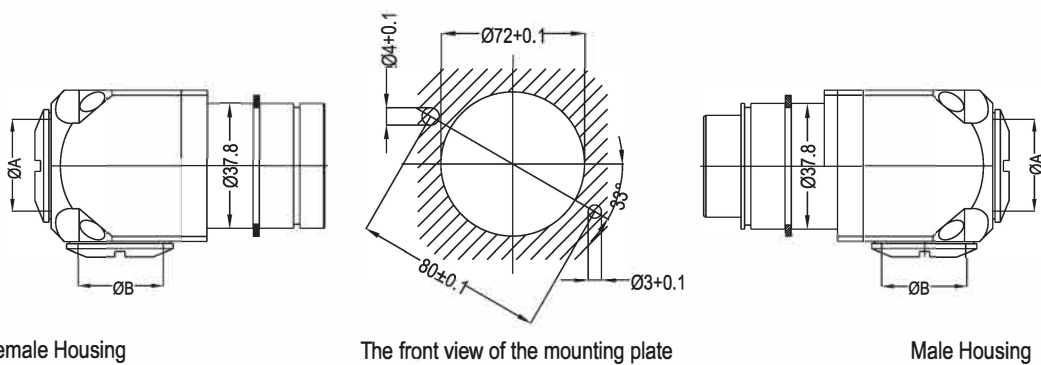
Male Housing

Side Connections		Plate Thickness	Female Housing Without Socket Carrier & Socket	Male Housing Without Pin Carrier & Pin
ØA	ØB		Order No	Order No
PG 42	PG 36	14	360.04FP-P014	360.04MP-P014
PG 42	PG 36	20	360.04FP-P020	360.04MP-P020

Material: Aluminium

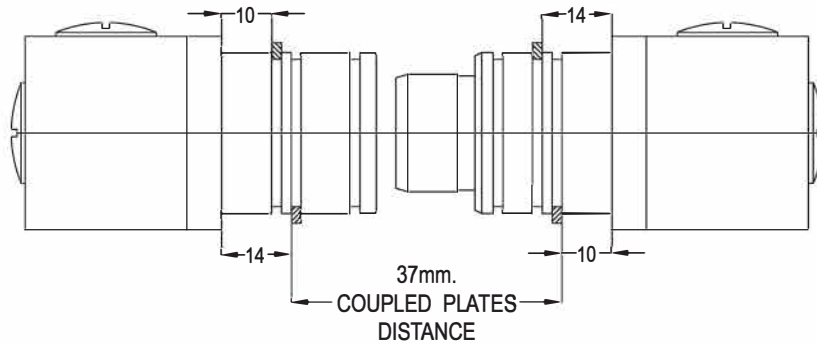


060-04 Housing For Pin / Socket Carriers- 37mm ( Straight Port Or 90° Port )

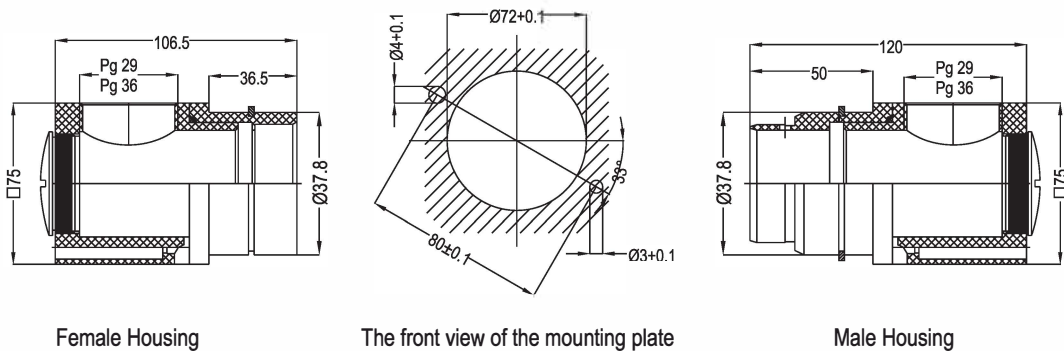


Side Connections		Plate Thickness	Female Housing Without Socket Carrier & Socket	Male Housing Without Pin Carrier & Pin
ØA	ØB		Order No	Order No
PG 42	PG 36	14	360.04FA-P014	360.04MA-P014
PG 42	PG 36	20	360.04FA-P020	360.04MA-P020

Material: Plastic (POM)

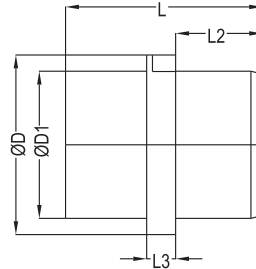


360-M4 Housing For Pin / Socket Carriers - 37mm ( Straight Port Or 90° Port )

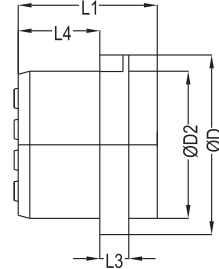


Side Connections		Plate Thickness (mm.)	Female Housing Without Socket Carrier & Socket	Male Housing Without Pin Carrier & Pin
ØA	ØB		Order No	Order No
PG 29	PG 29	10	360.M4FA-P010-29	360.M4MA-P010-29
PG 29	PG 29	14	360.M4FA-P014-29	360.M4MA-P014--29
PG 36	PG 36	10	360.M4FA-P010-36	360.M4MA-P010-36
PG 36	PG 36	14	360.M4FA-P014-36	360.M4MA-P014-36



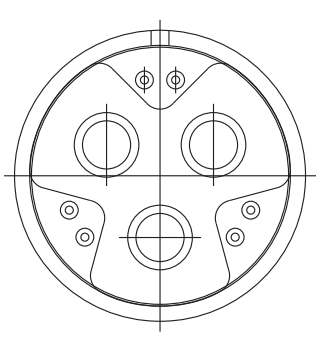


Socket Carriers  
(Socket Insulator)

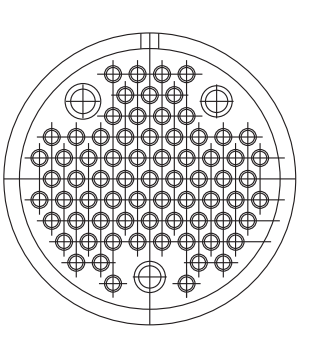


Pin Carriers  
(Pin Insulator)

### 360-04 Socket / Pin Carriers (Insulator)

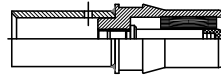
	No Of Pin or Socket (Pcs.)	Dimensions							Order No		
		ØD	ØD1	ØD2	L	L1	L2	L3	L4	Without Socket	Without Pin
 (2+E)	Ø11mm. 3 2 + Earth	65.8	59	59	60	45	26	8	19	360.04SB-03110	360.04PB-03110

### 360-04 Socket / Pin Carriers (Insulator)

	No Of Pin or Socket (Pcs.)	Dimensions							Order No		
		ØD	ØD1	ØD2	L	L1	L2	L3	L4	Without Socket	Without Pin
 (70+2E)	Ø1.5mm. 72 70 +2 Earth	65.8	59	59	36	30	26	8	22	360.04SB-72015	360.04PB-72015

### Working Temperature Of Carrier (Insulator)

Temperature Range	Material of carrier
-10°C +100°C	NBR (Nitrile)
-40°C +120°C	CR (Neopren)
-10°C +200°C	FPM (Fluoroelastomer)
-55°C +200°C	Silicone
-60°C +140°C	EPDM (Ethylenpropylen)

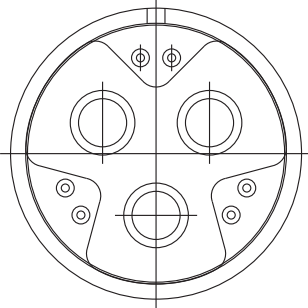


Socket Contact

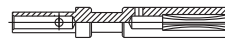


Pin Contact

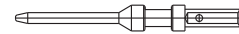
360-04 Socket / Pin Carriers (Insulator)

 <p>(2+E)</p>	No Of Pins or Socket (Pcs.)	Ø Pins Or Socket mm.	Current For Each Pins In Use (A)		Voltage (V)		Cross Section Of the connection Vire (mm <sup>2</sup> )
			Main Contacts	Pilot Contacts	Main Contacts	Pilot Contacts	
	3 2 + Earth	11	170	16*	630	25*	35 - 38
			200	16*	630	25*	25 - 50

\* OPTION: Additional 6 pilot contacts

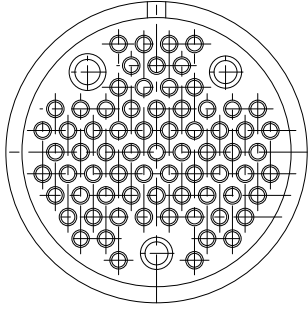


Socket Contact



Pin Contact

360-04 Socket / Pin Carriers (Insulator)

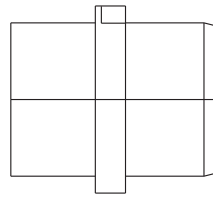
 <p>(70+2E)</p>	No Of Pins or Socket (Pcs.)	Ø Pins Or Socket mm.	Current For Each Pins In Use (A)	Voltage (V)	Cross Section Of the connection Vire (mm <sup>2</sup> )
	72 70 + Earth	1.5	16	250	0.5 - 1.5

Socket And Pin

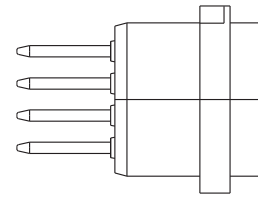
Standard products have silver plating.

OPTION

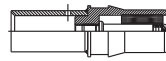
If the plating is gold please add AU at the end of the order number



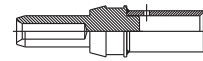
Socket Carriers Complete  
(Socket Insulator)



Pin Carriers Complete  
(Pin Insulator)

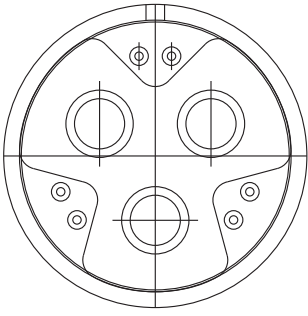


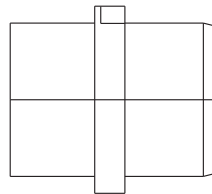
Socket Contacts



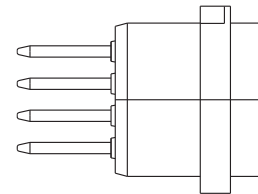
Pin Contacts

360-04 Socket / Pin Carriers (Insulator)

 <p>Can be fitted 6 pilot contacts</p>	No Of Pins or Socket (Pcs.)	Ø Pins or Socket mm.	Cross Section Of the Connection Vire (mm <sup>2</sup> )	Order No				
				3 2 + Earth	Socket Carriers With Socket	Ø11 Socket	Pin Carriers With Pin	Ø11 Pin
					25	360.04SD-03110-25	360 SOC 0110-25	360.04PD-03110-25
	35	360.04SD-03110-38	360 SOC 0110-38		360.04PD-03110-38	360 PIN 0110-38		
	No Of Pins or Socket (Pcs.)	Ø Pins or Socket mm.	Cross Section Of the Connection Vire (mm <sup>2</sup> )	Order No with 6 pilot contacts				
				Socket Carriers With Ø11 Socket & Ø1.5 Pilot Socket	Ø11 Socket	Socket Carriers With Ø11 Pin & Ø1.5 Pilot Pin	Ø11 Pin	
3 2 + Earth				1.5 + 25	360.04SD-03110-25-6	360 SOC 0110-25	360.04PD-03110-25-6	360 PIN 0110-25
+6	+	1.5 + 35	360.04SD-03110-38-6	360 SOC 0110-38	360.04PD-03110-38-6	360 PIN 0110-38		
		1.5	1.5 + 50	360.04SD-03110-50-6	360 SOC 0110-50	360.04PD-03110-50-6	360 PIN 0110-50	



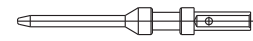
Socket Carriers Complete  
(Socket Insulator)



Pin Carriers Complete  
(Pin Insulator)

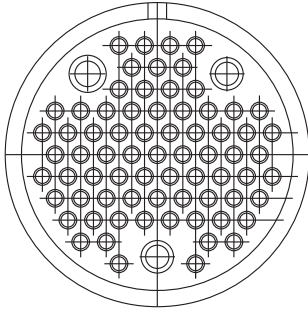


Socket Contacts



Pin Contacts

360-04 Socket / Pin Carriers (Insulator)

	No Of Pins or Socket (Pcs.)	Ø Pins or Socket mm.	Cross Section Of the Connection Vire (mm <sup>2</sup> )	Order No			
				Socket Carriers With Socket	Socket	Pin Carriers With Pin	Pin
72 70 + Earth	1.5	0.5 - 1.5	360.04SD-72015	360 SOC 0015	360.04PD-72015	360 PIN 0015	

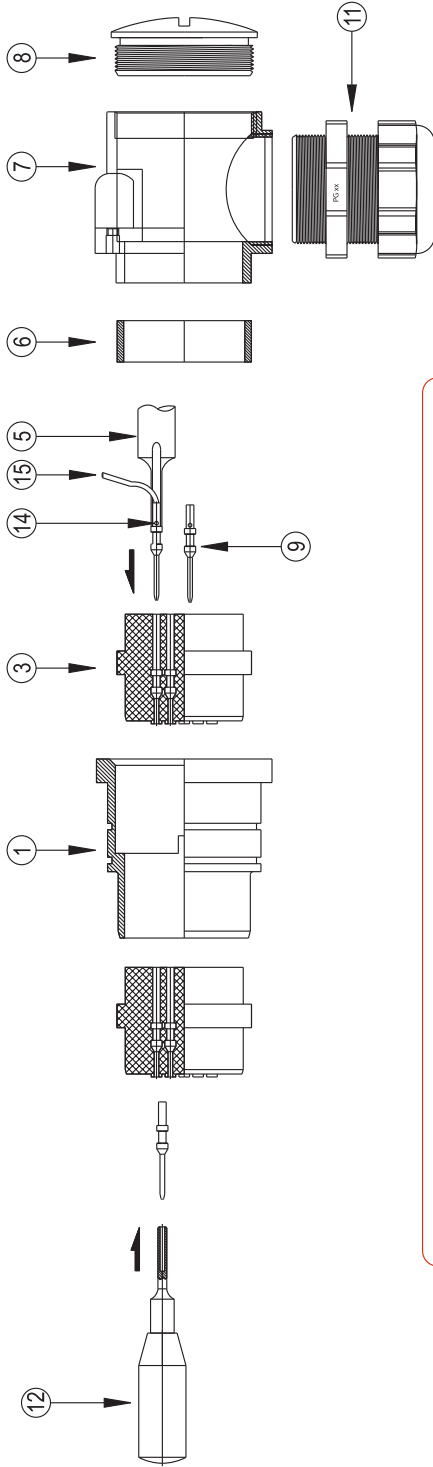
Socket And Pin

Standard products have silver plating.

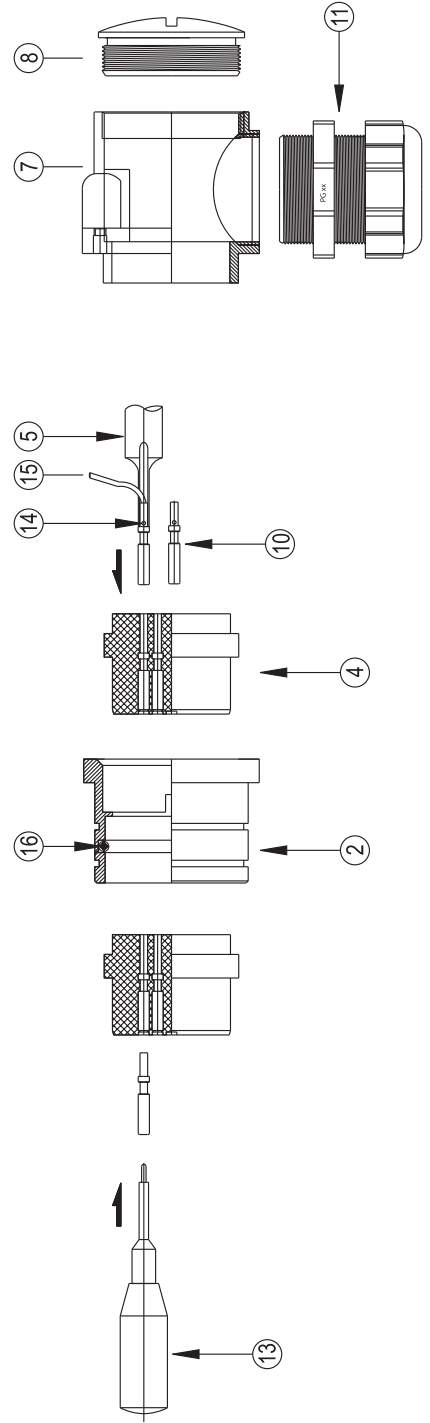
OPTION

If the plating is gold please add AU at the end of the order number

Assembling Systems



- 1 - Housing Pin Side (Male Housing)
- 2 - Housing Socket Side (Female Housing)
- 3 - Pin Insulator (Carrier)
- 4 - Socket Insulator (Carrier)
- 5 - Assembly Tool
- 6 - Spacer Only For Male Housing
- 7 - Back Adaptor Of the Housings
- 8 - Blind Stop
- 9 - Pin
- 10 - Socket
- 11 - Cable Gland
- 12 - Disassembly Tool for Pins
- 13 - Disassembly Tool for Socket
- 14 - Checking Hole
- 15 - Cable (wire)
- 16 - Sealing Ring



### Assembling And Disassembling Tools

Contact Ø (mm)	tst Code	
1 - 1,2	360.03.3000	 <p>Assembling Tool For Sockets And Pin.</p>
1.5 - 2.36	360.03.3003	
3	360.03.3010	
5	360.03.3013	
6	360.03.3016	
8 - 11	360.03.3021	
1 - 1,2	360.03.3002	 <p>Disassembling Tool for Pin.</p>
1.5 - 1.57	360.03.3005	
2	360.03.3009	
2.36 - 3	360.03.3012	
5	360.03.3015	
6	360.03.3018	
8	360.03.3022	
11	360.03.3014	
1 - 1,2	360.03.3001	 <p>Disassembling Tool for Sockets.</p>
1.5 - 1.57	360.03.3004	
2 - 2.36	360.03.3008	
3	360.03.3011	
5	360.03.3014	
6 - 8	360.03.3017	
11	360.03.3022	

#### Disassembling of the contacts

Press the removal tool from the front into the Insulation body till a quiet “click” is heard. Pulling on the cable removes the contact from the insulation body,

#### Assembling of the contacts

Press the assembling tool from the back into the Insulation body till a quiet “click” is heard.

Assembling of the contact into the insulation body, cable of assembled contacts must not be cut off.

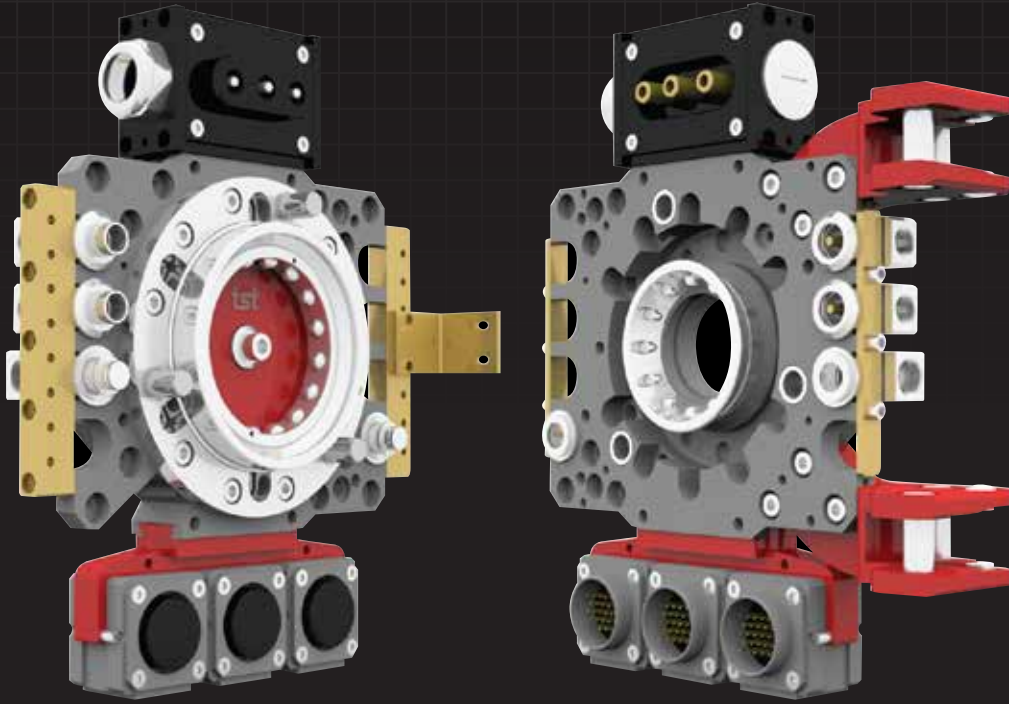
Crimping Tool & Inserts

Order No	 <p data-bbox="568 904 1209 987">This crimping tool is a cycle controlled, precision crimp tool. Capability is between 0.14 - 4 mm<sup>2</sup> For proper crimping, the tool must be used with an appropriate positioner.</p>		
	Nominal Ø (mm) Pin / Socket	Cross-section(mm <sup>2</sup> ) Pin / Socket	Crimping Inserts
360.03.3800	1 - 3	0.14 - 4	Adjustable Crimping Insert 
360.03.3804	1.5 - 2	0.25 - 0.75	Crimping Insert 
360.03.3805	2 - 2.4	0.5 - 1.5	Crimping Insert 
360.03.3806	2.4 - 4	2.4 - 4	Crimping Insert 

Crimping Tool & Inserts

Order No	 <p data-bbox="572 898 1235 983">                     a- Crimping capacity up to 35 mm<sup>2</sup> max.                      b- 360.03.3700 Crimping tools and inserts shall be used for UL application.                      c- Each insert can be used outside of crimping sleeves                 </p>		
	Nominal Ø (mm) Pin / Socket	Cross-section(mm <sup>2</sup> ) Pin / Socket	Crimping Inserts
360.03.3701	5 - 6	6	Adjustable Crimping Insert 
360.03.3702	6	10	Crimping Insert 
360.03.3703	6	16	Crimping Insert 
360.03.3704	6 - 8 - 11	25	Crimping Insert 
360.03.3705	8 - 11	35	Crimping Insert 

QUICK COUPLINGS  
• SCHNELLKUPPLUNGEN •



**tst**<sup>®</sup>

TAMSAN BAĞLANTI ELEMANLARI A.Ş.  
GEPOSB Gebze / Kocaeli TÜRKİYE  
Factory Tel: +90 262 751 20 44 Fax: +90 262 751 30 44

EXPORT DEPARTMENT  
Tel: +90 262 751 20 25 Fax: +90 262 751 20 50  
[www.tst-tamsan.com](http://www.tst-tamsan.com) / [info@tst-tamsan.com](mailto:info@tst-tamsan.com)

MADE IN  TÜRKİYE

K-Q  
TSE-ISO-EN  
9000