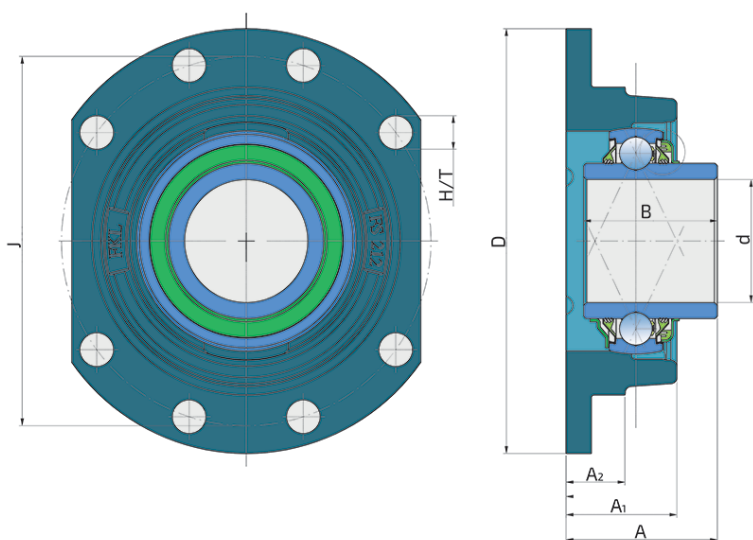


# Bearing Unit

## LESQFS 212 TDT.H

Bearing Unit

Kneading and driving wheel



### Technical Specification

d	Bore diameter	60 mm
D	Outside diameter	205 mm
J	Pitch circle diameter	180 mm
A	Overall width	73.7 mm
A1	Total housing width	54 mm
A2	Housing flange thickness	28.7 mm
B	Width inner ring	65.1 mm
H/T	Hole/Thread	14.5 mm
kg	Mass	5.3 kg
Co	Static load rating	67.2 kN
Cdyn	Dynamic load rating	79.3 kN
Pu	Fatigue load limit	2.82 kN

## Sealing

---

### DOUBLE T SEAL / T SEAL

3-lip seal on the base side and double 3-lip seal on the front side which is exposed to contaminants.

The double 3-lip seal on the front side protects the bearing from contaminant penetration. Also, the outer seal with 3 lips, with additional sealing, protects the inner seal from mechanical damage.

