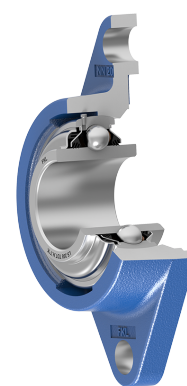
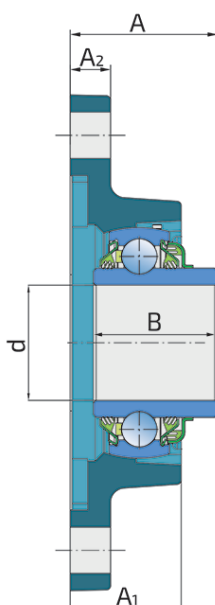
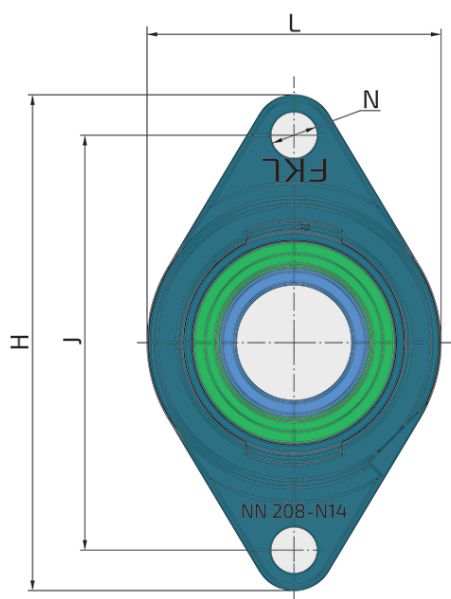


Bearing Unit

LSNN 208 TDT.H.T*K

Bearing Unit
Packer Roller



Technical Specification

d	Bore diameter	40 mm
H	Housing height	172 mm
J	Pitch circle diameter	144 mm
L	Total length	102 mm
A	Overall width	51.2 mm
A2	Housing flange thickness	14 mm
B	Width inner ring	43.2 mm
N	Hole diameter	16 mm
kg	Mass	1.78 kg
Cdyn	Dynamic load rating	30.7 kN
Co	Static load rating	19 kN
Pu	Fatigue load limit	0.798 kN

Sealing

DOUBLE T SEAL / T SEAL

3-lip seal on the base side and double 3-lip seal on the front side which is exposed to contaminants.

The double 3-lip seal on the front side protects the bearing from contaminant penetration. Also, the outer seal with 3 lips, with additional sealing, protects the inner seal from mechanical damage.

